

# MAX SINGLE CANTILEVER LIGHT, HEATERS AND AUTOMATION

Note: Certain models may include a temporary shipping bracket that needs to be removed.

## Remove Heater Brackets

### Step 1

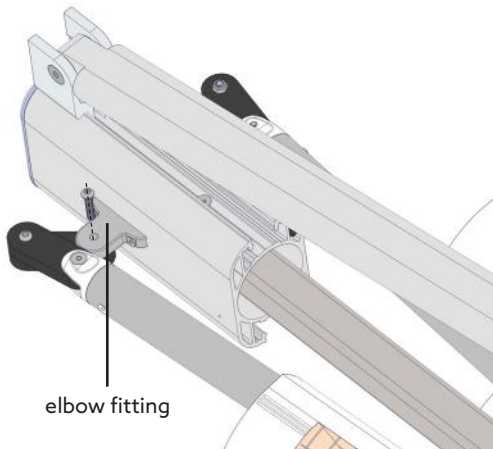
Remove all packaging from in and around umbrella and lay flat on the floor.

To prevent damage to the umbrella, lay a soft cloth or large piece of cardboard on the floor.



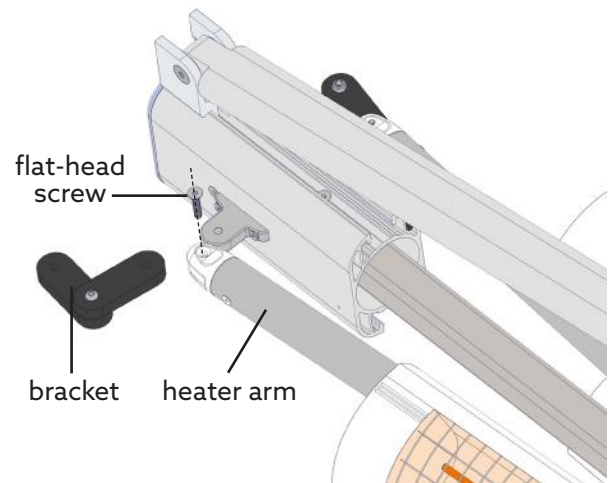
### Step 2

Remove hex screw from elbow fitting.



### Step 3

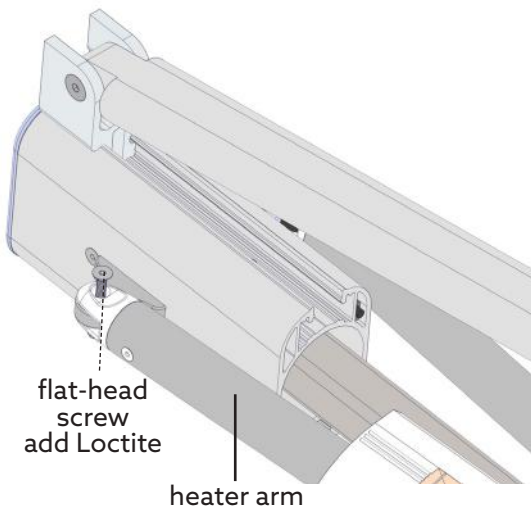
Remove flat-head hex screw from heater arm and bracket. Discard bracket and save screw for next step.



### Step 4

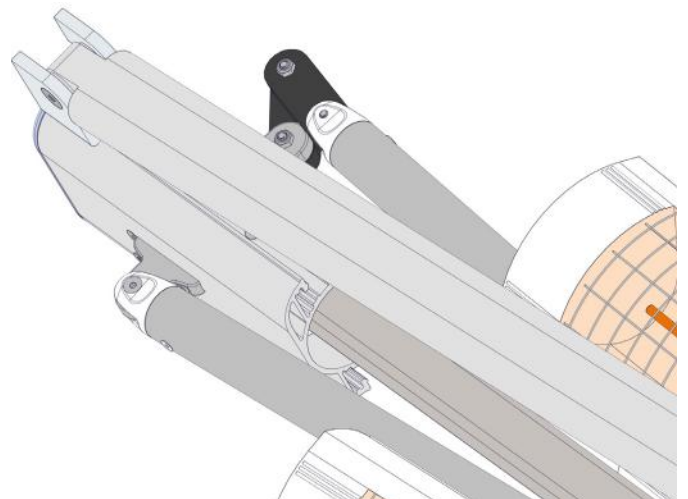
Mount heater arm to elbow fitting with flat-head screw from previous step.

Note: Add a drop of provided Loctite to the end of the screw threads.



### Step 5

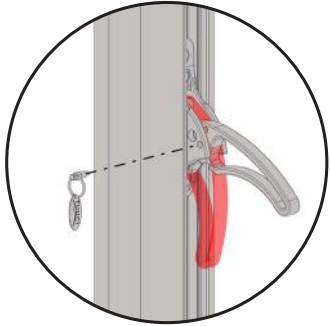
Repeat steps 1 through 4 for all heater arms.



# LIGHT, HEATERS AND AUTOMATION

## Step 6

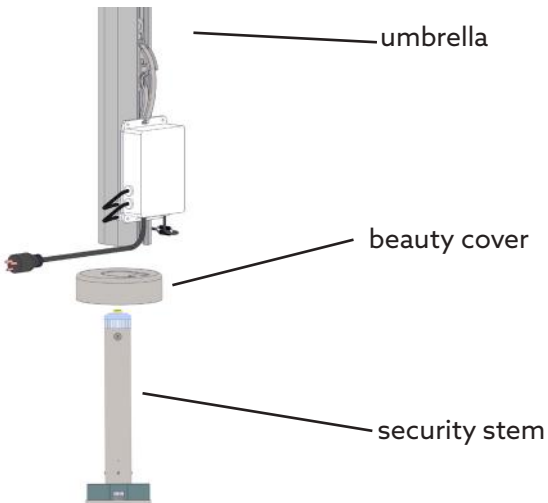
Pull pin from cam lock and lift the handle to unlock umbrella.



## Step 7

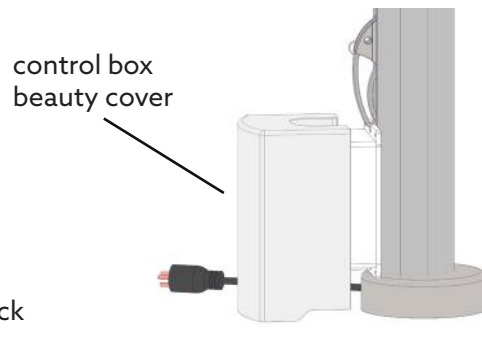
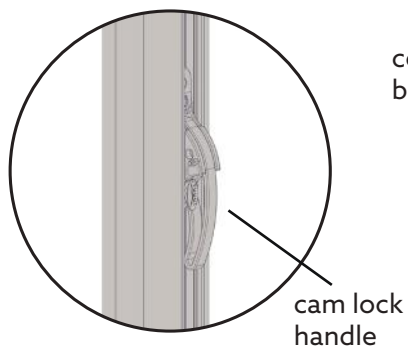
Once you have leveled the stem using the base installation instructions, slide the beauty cover and umbrella over the security stem (security stem is included with umbrella).

**Note: Ensure that cables are not pinched when inserting the umbrella over the security stem and when installing the beauty cover.**



## Step 8

Lock umbrella down by pushing the cam lock handles in the down position and lock with pin. Mount beauty cover over control box.



# LIGHTS, HEATERS AND AUTOMATION



## Step 9

Plug in power cord of your Automated Umbrella into 220V receptacles. The TUUCI logo on control panel will be backlit in white when the umbrella is properly plugged into the power source.



## Step 10

Press the Power button to turn on the umbrella. The button will be backlit in red when the power is ON. In addition, when the umbrella is ON, the open umbrella icon, closed umbrella icon, light icon and heater icon will all be backlit in white.

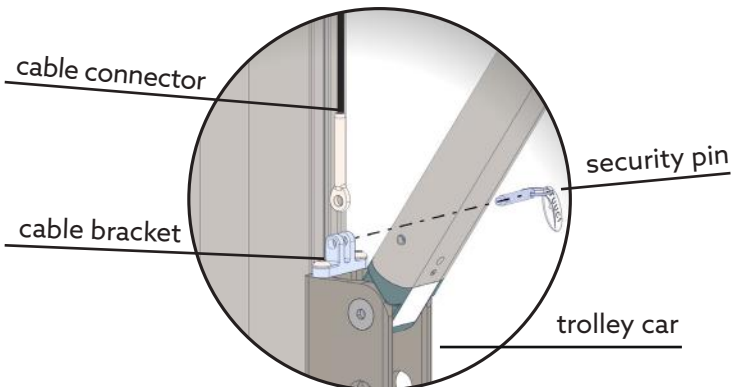


## Step 11

Press the close umbrella button to move the umbrella down to align with the eye of the cable connector. Press the close umbrella button again to stop the movement.

## Step 12

- Pull the security pin from the trolley car bracket.
- Pull the cable connector so it aligns with the trolley car bracket.
- Fasten the cable connector to the trolley car bracket with the security pin.



## Step 13

Gently separate each rib individually from the center hub approximately 10 inches. If the rib does not move easily, do not force. Inspect the product for additional packaging.

## Step 14

Gently separate the heater arms.

**Note: heater arms must be separated before opening the umbrella.**



## CAUTION

*Ensure that your umbrella is level (not tipped or tilted). For safety reasons, if the umbrella is tipped, you will not be able to open or close the umbrella and turn on the Ambia LED light and heaters.*

*Ensure that there is nothing blocking the canopy of the umbrella from being fully opened. For safety purposes, the motor has a built-in stop feature if the canopy bumps into an object when opening or closing.*

# LIGHT, HEATERS AND AUTOMATION

## OPENING UMBRELLA



### Opening umbrella

Press the open umbrella icon button to open the umbrella. The color will change from white to blue after pressing the button and during the opening of the umbrella.

When it is fully opened, the button color will change to white. The umbrella must be fully opened for 5 seconds before the Ambia LED light can be turned on.



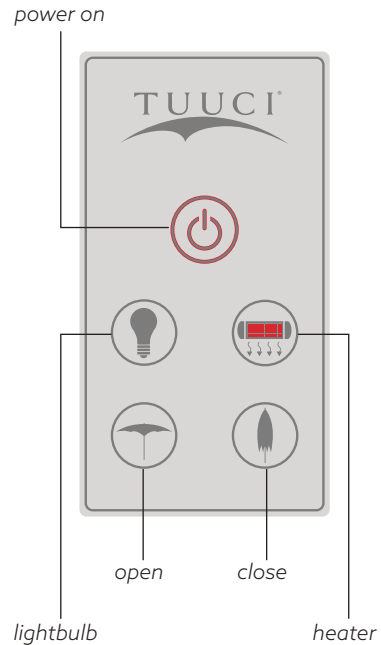
### Turning the Ambia LED light on

Press the lightbulb icon button to turn on the Ambia LED light. The color will change from white to blue after pressing the button, signaling that the light is ON.



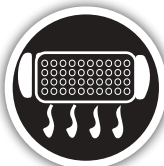
### Turning the heaters on

Press the heater icon button to turn on the heaters. The color will change from white to blue, signaling that both heaters are ON.



## CLOSING UMBRELLA

Instructions to close the Automated Umbrella and turn off the Ambia LED light and (2) heaters.



### Step 1

Press the heater icon button to turn off both heaters. After pressing the button, the color will change to white, signaling that both heaters are OFF.



### Step 2

Press the lightbulb icon button to turn off the Ambia LED light. After pressing the button, the color will change to white, signaling that the light is OFF.



### Step 3

Press the close umbrella icon button to close the umbrella. After pressing the button, the color will change from white to blue, signaling that the umbrella will be closing.

When the umbrella is fully closed, the close umbrella icon color will change to white.



### Step 4

Press power button to turn off the umbrella.

### NOTE:

*Close with Cooling Delay - As a safety precaution, if the heaters were ON up to two minutes prior to closing the umbrella, the heaters will go through an automatic cool-down period prior to the umbrella closing. The heater icon light on the control panel will flash, signaling the cooling delay period has started. When the cooling delay period is completed, the heater icon button will stop flashing and the umbrella will close automatically.*



*The duration of the cool-down period depends on how long the heaters were OFF prior to closing.*

*Close without Cooling Delay - If the heaters were never turned on, or if the heaters were turned OFF two minutes prior to pressing the close umbrella icon button, the cooling time delay will not activate, and the umbrella will close immediately.*

### Step 5

Close the umbrella with tie-back when not in use.

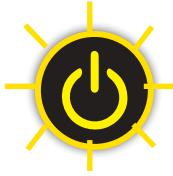
Close umbrella during consistent wind conditions that exceed 25mph.

# LIGHT, HEATERS AND AUTOMATION - Features and Functions



## Emergency shut-down or interrupt feature on the Automated Umbrella control panel

Press the Power button to shut-down or interrupt the operation of any function (Ambia LED light, heaters, open and close). The red light on the Power button will turn OFF. The white lights on the heater icon, the light icon and open and close icon buttons will turn OFF. Press the Power button to turn the umbrella back ON.



## Control panel indicator when the Automated Umbrella is not level (tipped or tilted on an angle)

The Power button will be flashing in yellow when the umbrella is not level. All functions (open, close, Ambia LED light and heaters) are inactive. The TUUCI logo is not backlit. When the umbrella is level and no longer tipped or tilted, it will return to a powered-down state with the TUUCI logo backlit in white and all other functions OFF. Press the Power button to turn on the umbrella. Then, turn on the various functions.

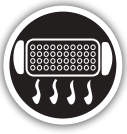


## Lock out unauthorized users from turning on or off various features of the Automated Umbrella

There is a lock-out feature to prevent unauthorized user access. To turn on the lock-out feature, press and hold the Power button for 5 seconds. All functions (Ambia LED light, heaters, open and close) will maintain their original state of ON or OFF. The power button will be a solid yellow when the lock-out feature is activated.

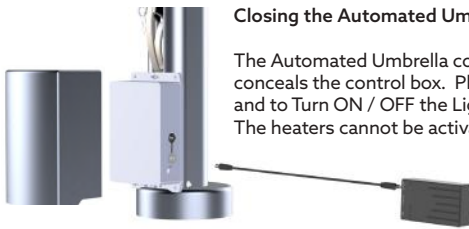
To turn off the lock-out feature, press and hold the Power button for 5 seconds. All functions (Ambia LED light, heaters, open and close) will maintain their current state of ON or OFF. Users will have access again to turn the various functions on or off.

If the Power button is pressed during a lock-out condition, activating the emergency shut-down or interrupt feature, the Ambia LED light, heaters, open and close umbrella features will be turned-off. All icon button lights will be OFF, except for the TUUCI logo.



## Heater Automatic Turn-Off Safety Feature

As a safety feature, the heaters on the Automated Umbrella will automatically turn off after 2 hours of operation. To turn the heaters back on, press the heater icon button.



## Closing the Automated Umbrella if there is an extended power outage

The Automated Umbrella comes standard with a 12V back-up battery. Unplug power cord and remove the beauty cover that conceals the control box. Plug the battery into the control box. The 12VDC battery will provide power to open or close the umbrella and to Turn ON / OFF the Lights when the AC power source is not available. Umbrella must be fully open to activate the Lights. The heaters cannot be activated by the back-up battery



## Light Unit, (2) Heaters and Automation:

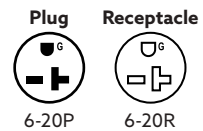
Power Supply:	
Main Input Voltage:	208-240VAC 50/60 Hz
Max. Amps:	13.7 A @220Volts AC 12.6 A @240Volts AC
Max. Watts:	3010 Watts

### North America version:

208-240V, 2 phases 60Hz (requires a minimum 15 Amp circuit)  
Umbrella comes with 10ft Power Cord & Plug  
(Use with 20A - 250 Volts, NEMA 6-20R Receptacle compatible with NEMA 6-20P Plugs)

### Europe version:

220-240V, 1 phase 50Hz (requires a minimum 16 Amp circuit)  
Umbrella comes with 10ft Power Cord & Plug  
(Use with 16A - 250 Volts, Schuko Receptacle compatible with Schuko 16A - 250 Volts Plug)



Customer must connect to a protected power source circuit with proper Current Rating "Amps", near the umbrella, using an above-ground Junction box, according to their local electrical codes and regulations.

## Warnings & Safety Instructions

1. Read and understand entire owner's manual before assembling or operating umbrella.
2. Read and understand the warnings posted on the umbrella and/or components installed on the umbrella.
3. Disconnect electrical power to umbrella during inclement weather.
4. There is a risk of fire if heaters contact flammable materials or liquids.
5. Keep children away from power cords on or around umbrella.
6. Disconnect power before removing or servicing umbrella.
7. Allow sufficient cooling of heaters before closing umbrella.
8. Do not use this umbrella for anything other than its intended use.
9. Replace warning labels if they become obscured or removed.
10. Make sure the umbrella is properly grounded if there are electrical devices installed, such as heaters.
11. Provide for adequate space to open and close umbrella without obstructions.
12. Customer's electrical power source connections, if any, must be installed / connected by a certified electrician. Check local codes for guidance.
13. When closing / opening umbrella, keep hands and face clear of all pinch points or protruding umbrella components.

For frequently asked questions visit [tuuci.com/automationCL](http://tuuci.com/automationCL)