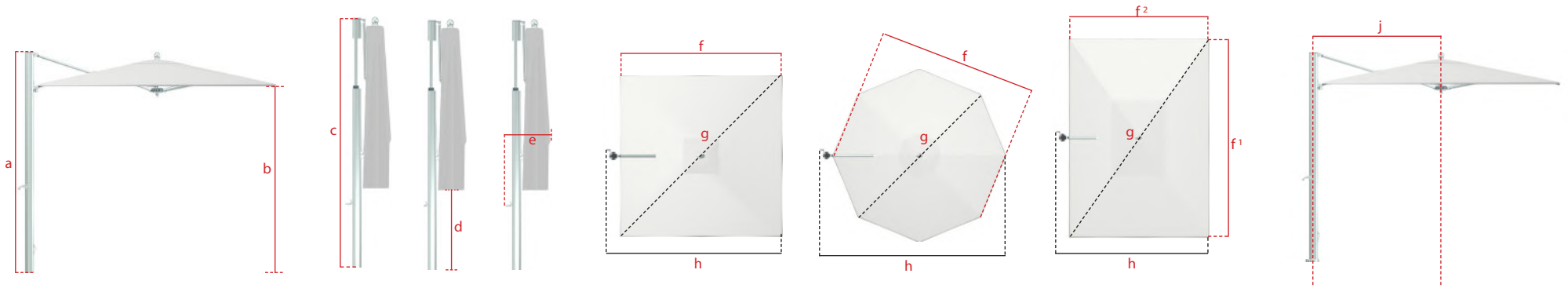





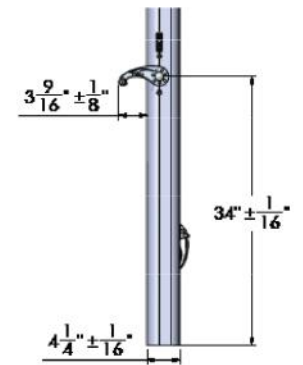
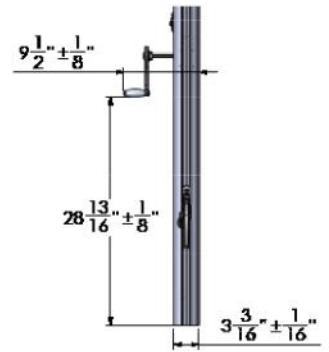
OCEAN MASTER MAX CLASSIC CANTILEVER

“easy drive” crank w/ telescoping mast



MAX cantilever	sizes [ft/m]	mast height (open position) a (in/cm)	canopy clearance b (in/cm)	mast height (telescope closed position) c (in/cm)	table clearance (telescope) d (in/cm)	closed parasol width (closed include crank handle) e (in/cm)	flat to flat f (in/cm)	point to point g (in/cm)	parasol width (open – include crank handle) h (in/cm)
	8.0' / 2.45	102 / 259	87.5 / 222	122.75 / 312	53.5 / 136	25.5 / 65	95.5 / 243	134 / 340	107.5 / 273
	10.0' / 3.0	102 / 259	84.5 / 215	128 / 325	40.5 / 103	22.5 / 57	120.5 / 306	168 / 427	130.25 / 331
	12.0' / 3.65	108 / 274	81.5 / 207	130.5 / 331	31.5 / 80	23.5 / 60	143 / 363	201 / 511	154.5 / 392
	13.0' / 4	112 / 284	91.5 / 232	144.5 / 367	31.5 / 80	25 / 64	152.5 / 386	215 / 546	163.5 / 415
	9.0' / 2.75	102 / 259	84 / 213	127.5 / 324	63 / 160	26.5 / 67	103 / 262	110 / 279	120.5 / 306
	11.0' / 3.4	102 / 259	80 / 203	132.5 / 337	54 / 137	25 / 64	121 / 307	132 / 335	142.5 / 362
	13.0' / 4.0	106 / 269	86 / 218	139 / 353	51 / 130	26 / 66	141 / 358	153 / 389	165 / 419
	8.0' x 12.0' 2.45 x 3.65	99 / 251	84.5 / 215	118 / 300	32 / 81	22.5 / 57	f ¹ X f ² 145 X 97 / 368.3 X 245	174 / 442	100 / 254
	10.0' x 14.0' 3.0 x 4.25	106 / 269	89 / 226	129.5 / 329	28.5 / 72	21.5 / 55	f ¹ X f ² 171 X 120 / 434 X 305	208.5 / 530	130.5 / 331

crank handle clearance

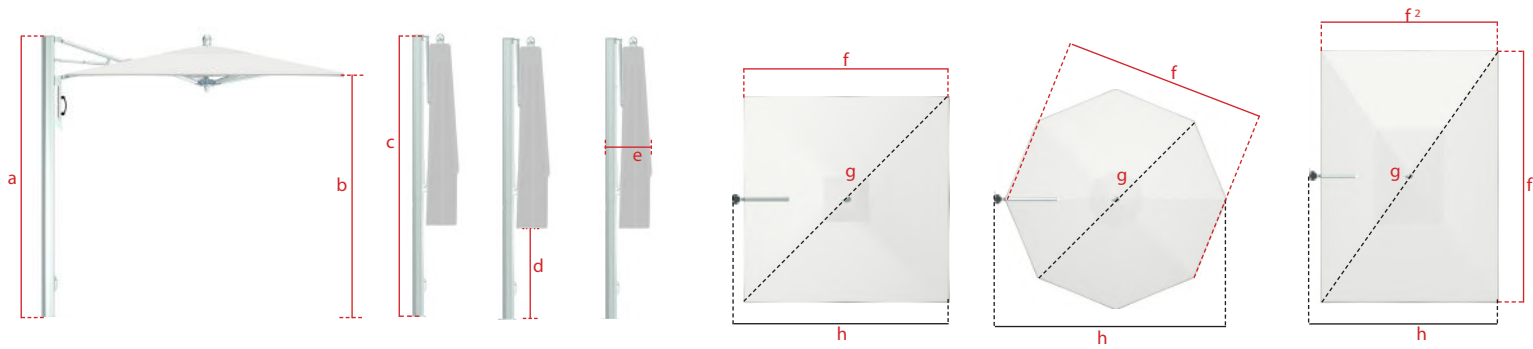


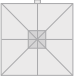


Dimension Tolerances ± 2"
Dimensions shown correspond to indicated lift system
Options are subject to change without notice
Some options are only available in certain sizes and shapes

2" security base stem height not included

OCEAN MASTER MAX CLASSIC CANTILEVER

auto-lift assist piston system



MAX cantilever	sizes [ft/m]	mast height (open position) a (in/cm)	canopy clearance b (in/cm)	mast height (closed position) c (in/cm)	table clearance (gas piston) d (in/cm)	parasol width (closed) e (in/cm)	flat to flat f (in/cm)	point to point g (in/cm)	parasol width (open) h (in/cm)
square 	8.0' / 2.45	106.25 / 270	90 / 229	107.25 / 272	37.5 / 95	18 / 45.72	95.5 / 243	134 / 340	104.25 / 265
	10.0' / 3.0	106.25 / 270	87.5 / 222	106.25 / 270	18.75 / 48	15 / 38.1	120.5 / 306	168 / 427	127 / 323
octagon 	9.0' / 2.75	105 / 267	87 / 221	105 / 267	41 / 104	19 / 48.26	103 / 262	110 / 279	117.25 / 298
	11.0' / 3.4	106.75 / 271	86.5 / 220	112 / 284	28.5 / 72	17.5 / 44.45	121 / 307	132 / 335	139.25 / 354
rectangle 	8.0' x 12.0' 2.45m x 3.65	106.25 / 270	90.5 / 230	110 / 279	21 / 53	15 / 38.1	f ¹ X f ² 145 X 96.5 368 X 245	174 / 442	96.75 / 246

Dimension Tolerances ± 2"
 Dimensions shown correspond to indicated lift system
 Options are subject to change without notice
 Some options are only available in certain sizes and shapes

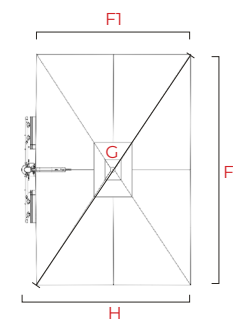
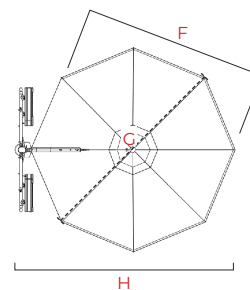
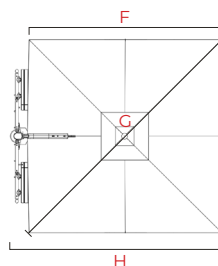
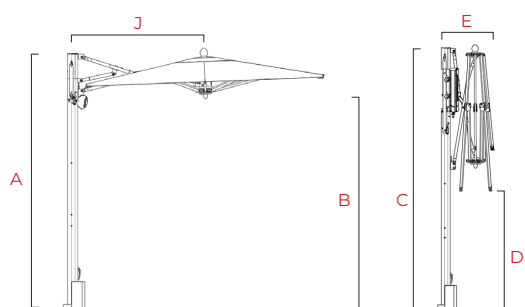
2" security base stem height not included



PRODUCT SPECIFICATIONS

OCEAN MASTER MAX CLASSIC CANTILEVER

LIFT SYSTEM: AUTOMATION (INCL. 2 HEATERS AND AMBIA LED LIGHT)

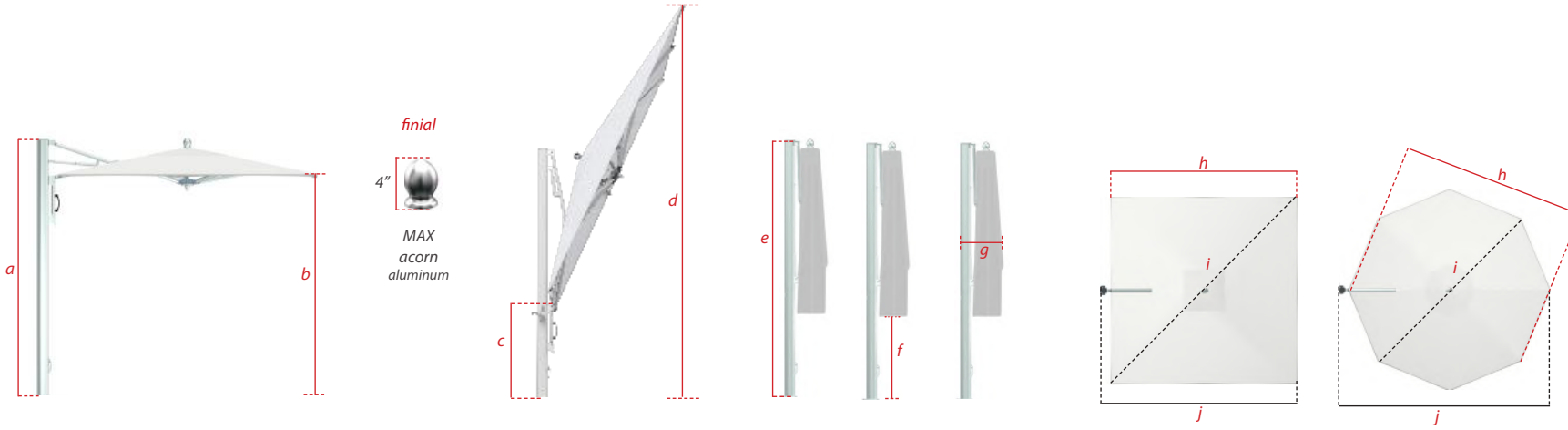


SHAPES	SQUARE				OCTAGON			RECTANGLE			
SIZES (ft/cm)	8.0 / 245	10.0 / 305	12.0 / 365	13.0 / 400	9.0 / 275	11.0 / 340	13.0 / 400	8.0 x 12.0 / 245 x 365	10.0 x 14.0 / 305 x 425		
A (in/cm)	MAST HEIGHT (open position)		104 / 265	106 / 270	110 / 280	114 / 290	104 / 264	103 / 261	111 / 282	101 / 257	108 / 275
B (in/cm)	CANOPY CLEARANCE		86 / 218	84 / 213	87 / 220	92 / 233	83 / 211	78 / 199	85 / 215	80 / 203	88 / 223
C (in/cm)	MAST HEIGHT (closed position)		124 / 316	130 / 329	142 / 361	146 / 371	129 / 328	134 / 341	141 / 358	124 / 316	139 / 352
D (in/cm)	TABLE CLEARANCE		56 / 143	44 / 111	34 / 87	34 / 87	65 / 165	57 / 145	54 / 138	35 / 89	32 / 81
E (in/cm)	PARASOL WIDTH (closed)		26 / 66	21 / 53	29 / 74	31 / 79	29 / 74	31 / 79	29 / 74	26 / 66	27 / 68
F (in/cm)	FLAT TO FLAT		96 / 245	120 / 305	144 / 365	154 / 390	102 / 259	125 / 316	142 / 362	F1 x F2: 97 x 145 / 245 x 368	F1 x F2: 122 x 170 / 310 x 432
G (in/cm)	POINT TO POINT		136 / 345	170 / 432	203 / 516	217 / 551	110 / 280	135 / 343	154 / 392	174 / 442	209 / 531
H (in/cm)	PARASOL WIDTH (open)		106 / 269	130 / 330	153 / 389	163 / 414	119 / 303	143 / 364	163 / 415	106 / 269	130 / 330
J (in/cm)	CENTER OF CANOPY (frame to center of base stem)		54 / 137	65 / 165	77 / 196	81 / 206	60 / 152	72 / 183	81 / 206	54 / 137	65 / 165

Dimension Tolerances ± 2" / 5cm. Dimensions shown are rounded to the nearest inch and correspond to indicated lift system. Options are subject to change without notice.

ocean master & plantation MAX single cantilever

tilt option



		mast height (open position)	canopy clearance	canopy edge at max. tilt	max. tilt height	mast height (closed position)	table clearance	parasol width (closed)	flat to flat	point to point	parasol width (open)
MAX tilt cantilever	sizes [ft/m]	a (in/cm)	b (in/cm)	c (in/cm)	d (in/cm)	e (in/cm)	f (in/cm)	g (in/cm)	h (in/cm)	i (in/cm)	j min. to max. (in/cm)
square	8.0' / 2.45	99 / 251	86 / 218	46 / 117	133 / 338	99 / 251	31 / 79	23 / 58	97 / 246	135 / 343	50 / 127 to 104 / 264
	10.0' / 3.0	106 / 269	88 / 224	40 / 102	157 / 399	106 / 269	19 / 48	15 / 38	121 / 307	168 / 427	38 / 97 to 128 / 325
octagon	9.0' / 2.75	105 / 267	87 / 221	41 / 104	130 / 330	105 / 267	41 / 104	22 / 56	101 / 257	110 / 279	73 / 185 to 118 / 300
zero horizon	10.0' / 3.0	106 / 269	99 / 251	40 / 102	157 / 399	106 / 269	19 / 48	15 / 38	122 / 309	172 / 437	42 / 107 to 129 / 328

Dimension Tolerances ± 2"
 Dimensions shown correspond to indicated lift system
 Options are subject to change without notice
 Some options are only available in certain sizes and shapes

2" security base stem height not included