

to protect your product, please read the operating instructions before opening the parasol

TUUCI | Shade Pod

assembly & operating instructions



applies to:
Bay Master and Vineyard Shade Pod

Step 1.

Remove all packaging from umbrella: plastic cover bag and bubble wrap inside canopy and around frame.

Step 2

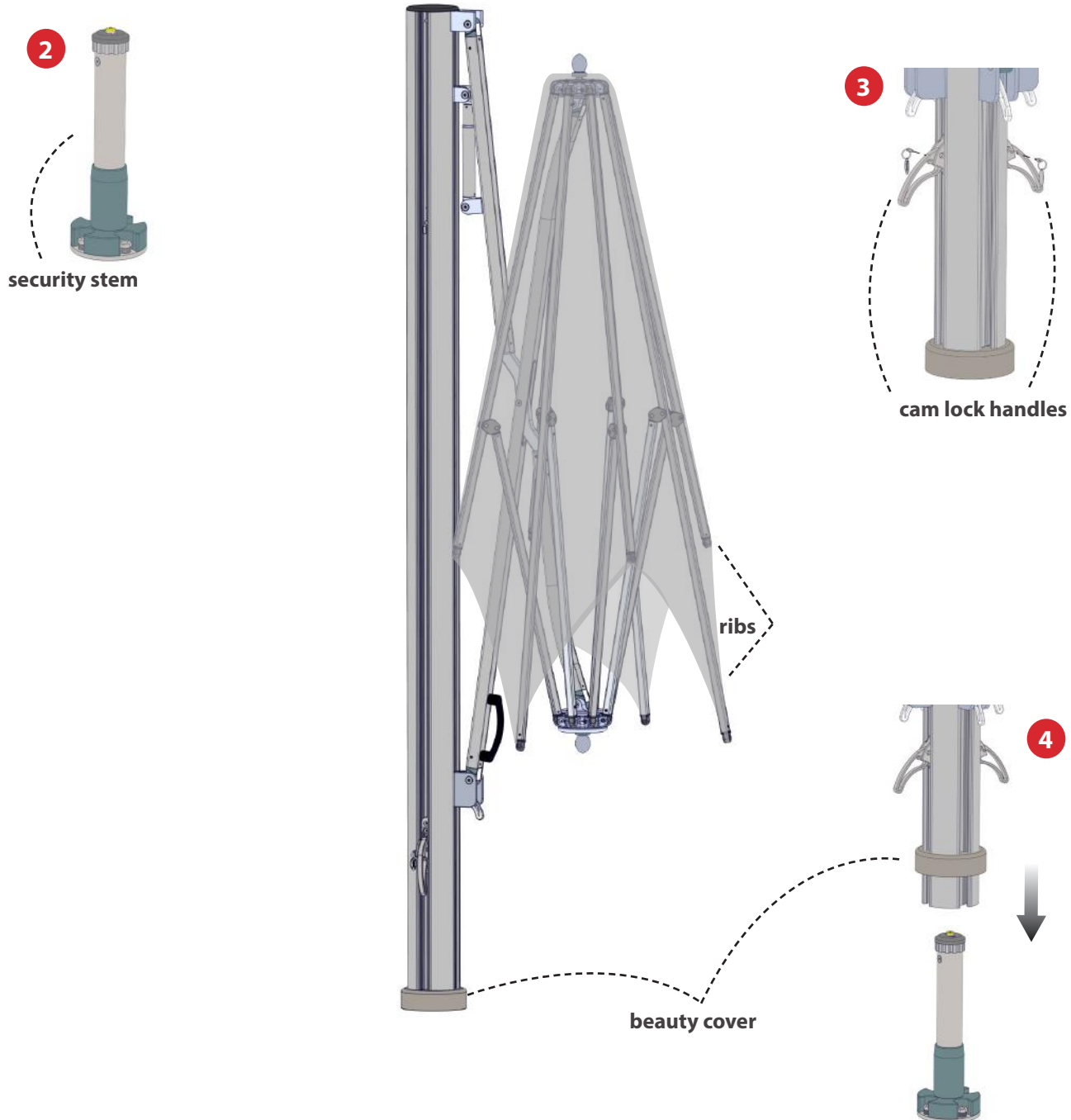
Remove security stem from inside umbrella and mount to your base (instructions included with base).

Step 3

Pull pins and lift up cam lock handles.

Step 4

Mount umbrella onto security stem and push down cam lock handle until pin engages.



Step 5

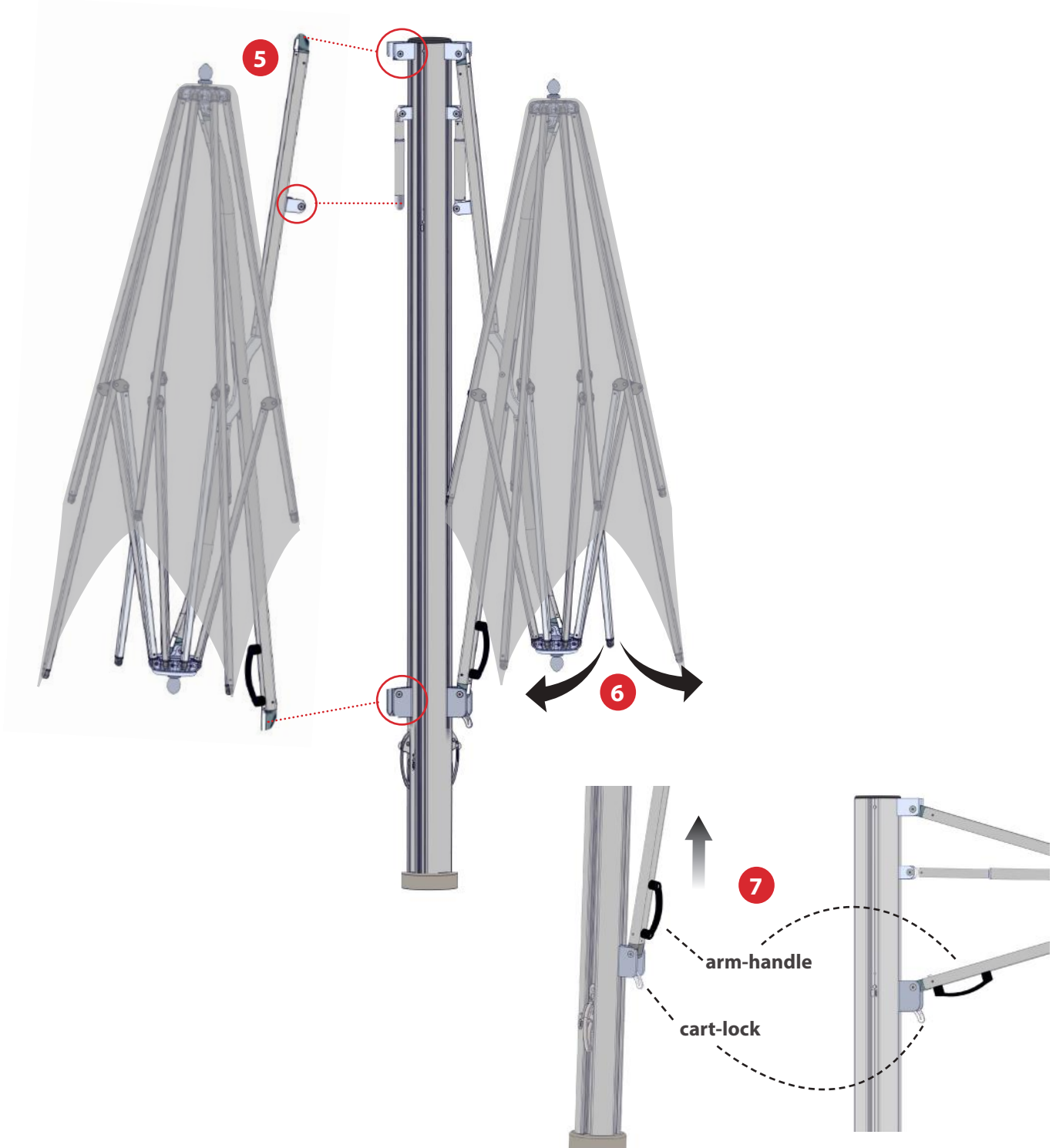
Install additional canopy frame by using screws and bushing provided.

Step 6

Gently separate each rib individually from the center hub approximately 10 inches. If the rib does not move easily, do not force. Inspect the product for additional packaging.

Step 7

To open push arm handle up until it snaps into the locking position



Step 8

To close umbrella, unlock the lever (by pushing cart upwards and pushing cart lock lever in) then slide down the cart by pulling down the arm handle.

Step 9

Close umbrella with tie back when not in use.

