
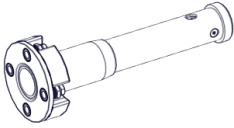






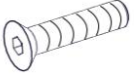
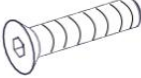
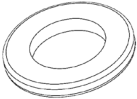



INSTALLATION INSTRUCTIONS

OCEAN MASTER MEGA MAX CENTER POST

HARDWARE AND PARTS INCLUDED

	DESCRIPTION	QTY	PART IMAGE
a	Crank Handle	C	
b	Base Stem	1	
c	Beauty Cover	1	
d	1/2" Allen Key	1	
e	3/8" Allen Key	1	

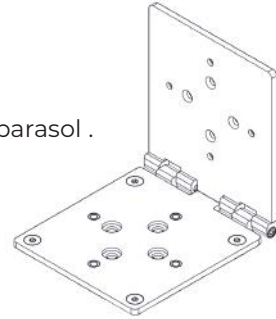
	DESCRIPTION	QTY	PART IMAGE
f	5/32" Allen Key	1	
g	Screw 1/2-13" x 1-1/4" FHCS	5	
h	Screw 1/2-13" x 2-1/4" FHCS	5	
i	Washer, 1/2"	5	
j	Nut, 1/2-13"	5	

IMPORTANT:
THE BASE MUST BE INSTALLED PRIOR TO MOUNTING THE PARASOL.
TO PROTECT YOU AND YOUR PRODUCT, PLEASE READ THE INSTALLATION INSTRUCTIONS.

OCEAN MASTER MEGA MAX CENTER POST

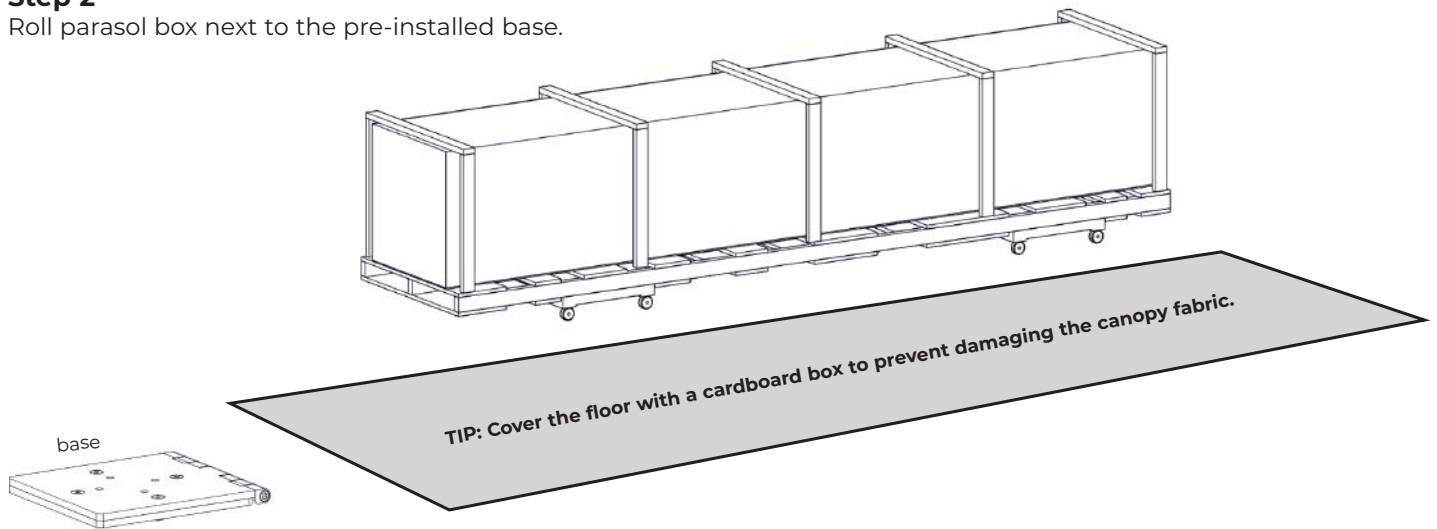
Step 1

Make sure the base has been installed and secured properly prior to mounting the parasol .



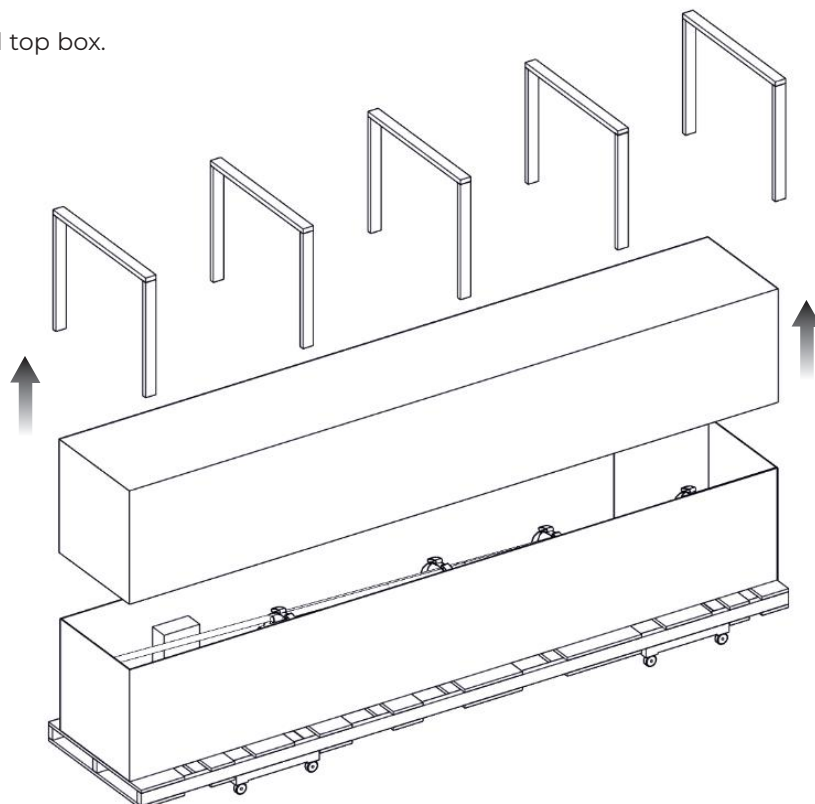
Step 2

Roll parasol box next to the pre-installed base.



Step 3

Remove wood bars and top box.

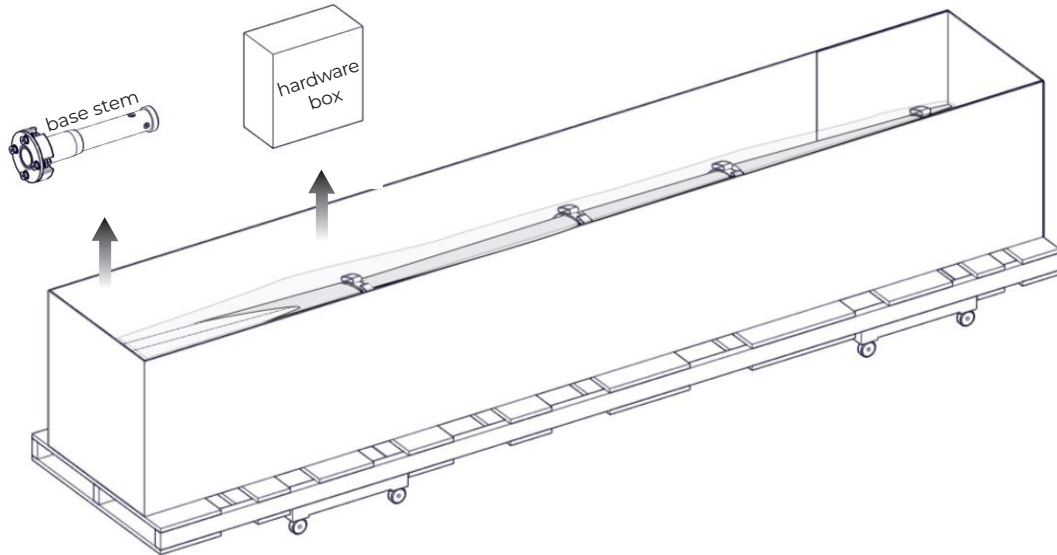


OCEAN MASTER MEGA MAX CENTER POST

Step 4

Remove the hardware box and base stem (the base stem is inside the parasol mast).

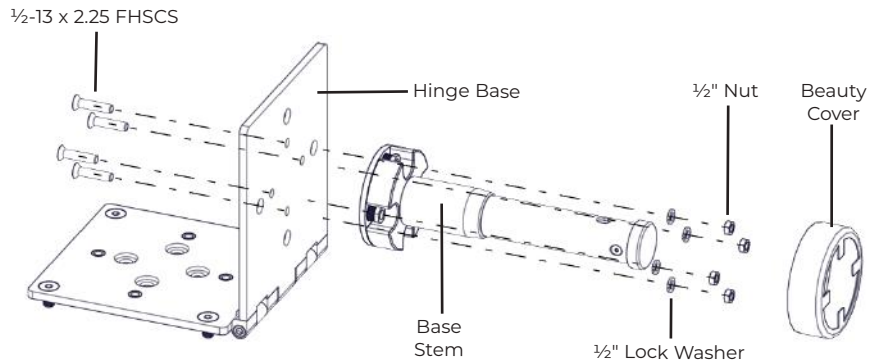
Tip: Remove the security bolt to take the base stem out of the parasol mast.



Step 5

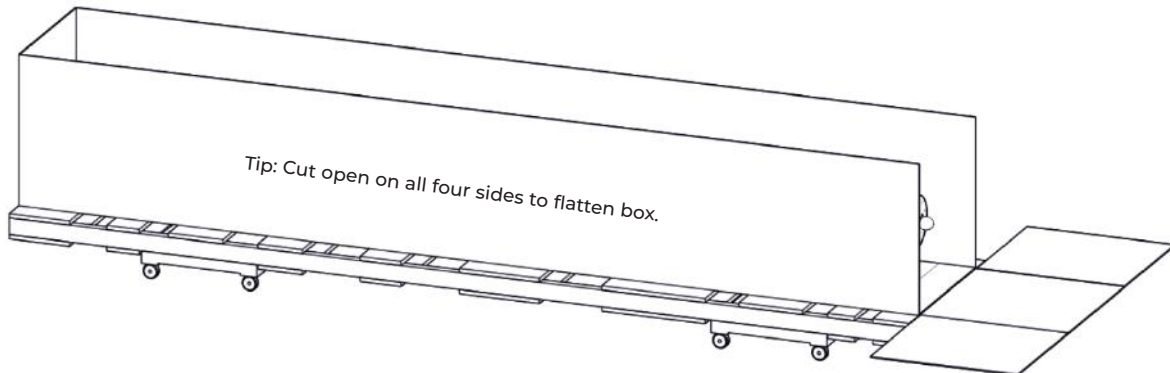
Install the base stem to the hinge base using the hardware inside the hardware box.

IMPORTANT: The hinge base and stem must be properly secured prior to mounting the parasol.



Step 6

Cut open box to easily remove parasol.

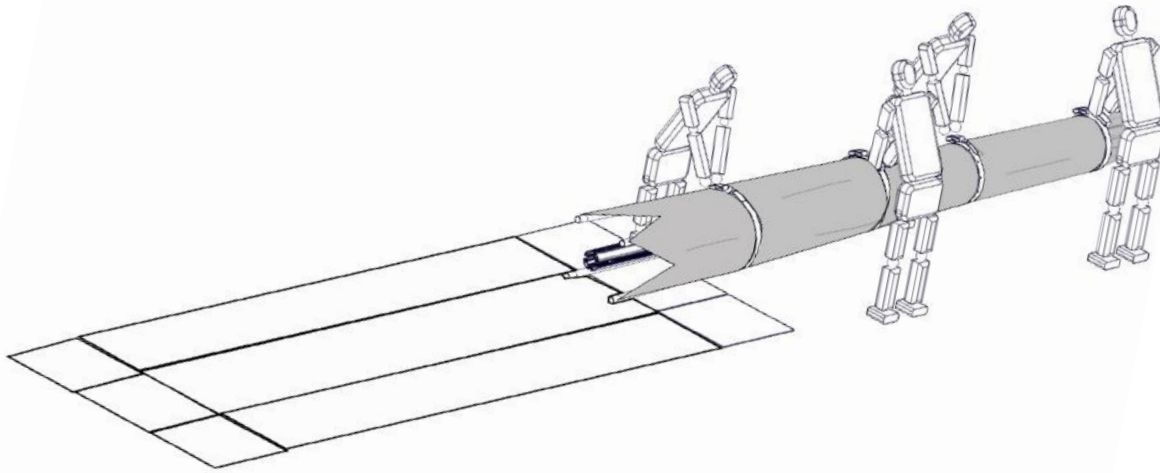


OCEAN MASTER MEGA MAX CENTER POST

Step 7

Requires 4 to 6 people.

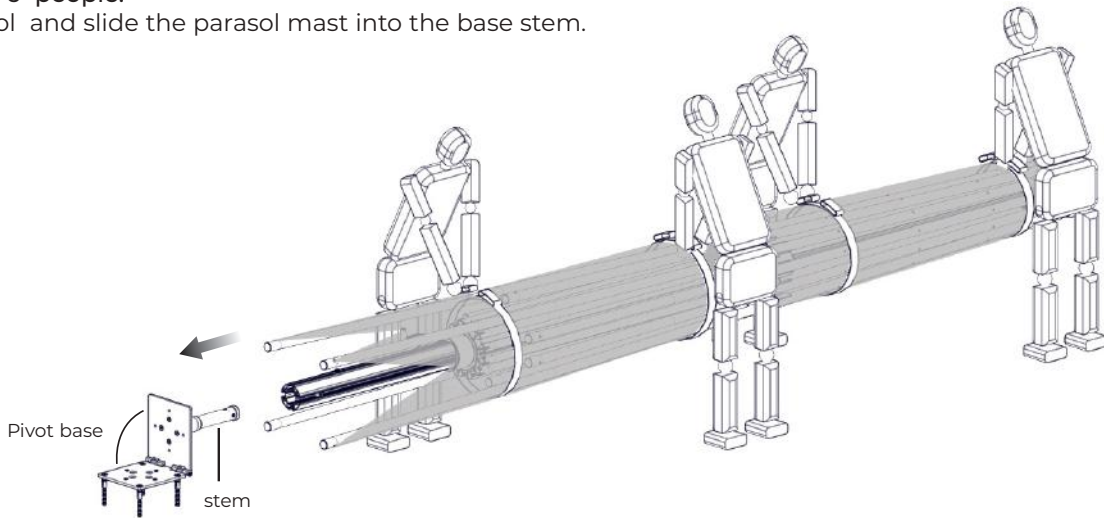
Use the white straps on the parasol to lift and place in front of the base stem.



Step 8

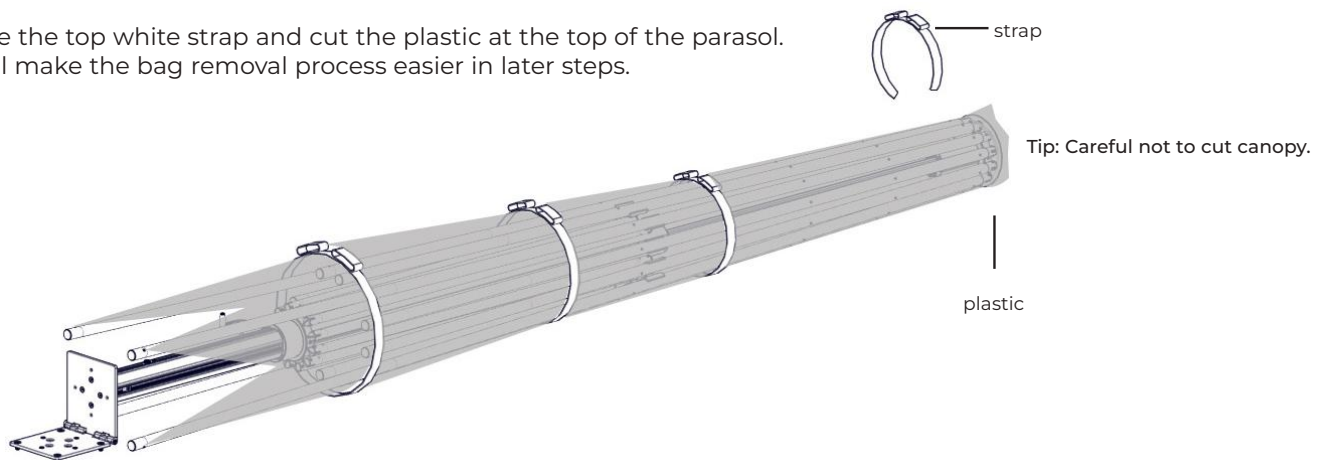
Requires 4 to 6 people.

Lift the parasol and slide the parasol mast into the base stem.



Step 9

Remove the top white strap and cut the plastic at the top of the parasol. This will make the bag removal process easier in later steps.



OCEAN MASTER MEGA MAX CENTER POST

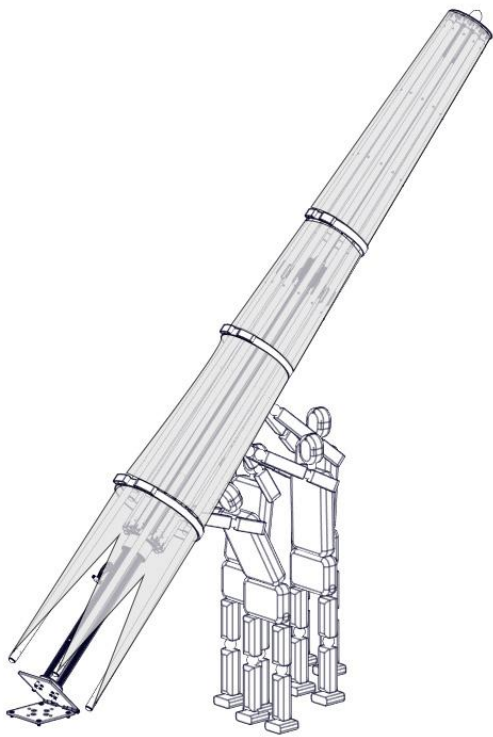
Step 10 2 WAYS TO LIFT THE PARASOL, REQUIRES 4 TO 6 PEOPLE.

Manually Lift

For sizes: square round rectangle
16.0' 16.0' 14' X 20'

Slowly lift and push the parasol up until it is in the upright position.

Hold parasol upright until base is secured.



IMPORTANT:
If frame is too heavy and conditions feel unsafe, continue with the assisted scissor lift.

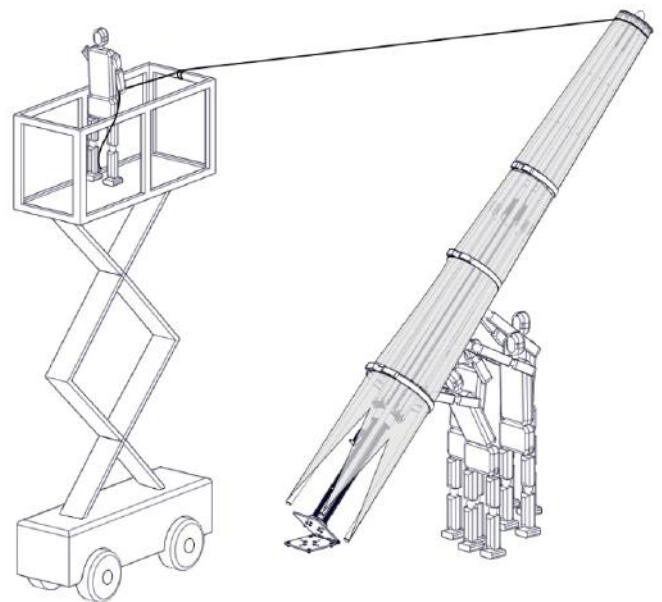
Assisted Scissor Lift

For sizes: square round rectangle
20.0' 20.0' 16.0' X 24.0'
24.0' 24.0'

Securely strap the top part of the parasol with the provided rope.

Lift the parasol approximately 6ft off the ground then using the scissor lift, begin to pull and move away from the hinge base until the parasol is completely upright.

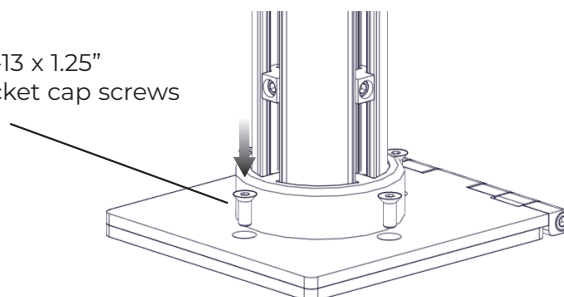
Hold parasol upright until base is secured.



Step 11

Use the provided hardware to secure the hinge base.

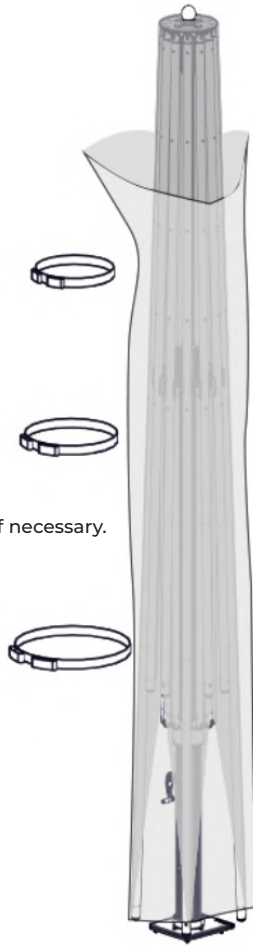
4x 1/2-13 x 1.25"
flat head socket cap screws



OCEAN MASTER MEGA MAX CENTER POST

Step 12

Remove rope, white ties and plastic cover.

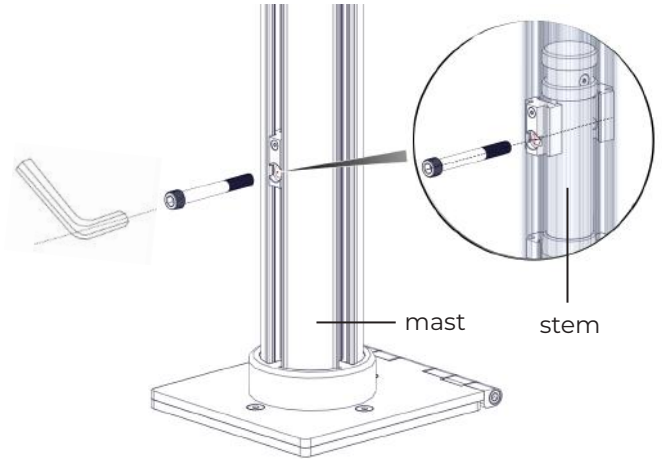


Tip: Use a ladder or lift if necessary.

Step 13

Rotate the parasol frame until the parasol lock hole and the base stem hole align.

Secure the parasol with the provided $\frac{5}{8}$ " bolt.



IMPORTANT:

This step must be done after the parasol is lifted into the upright position.

Step 14

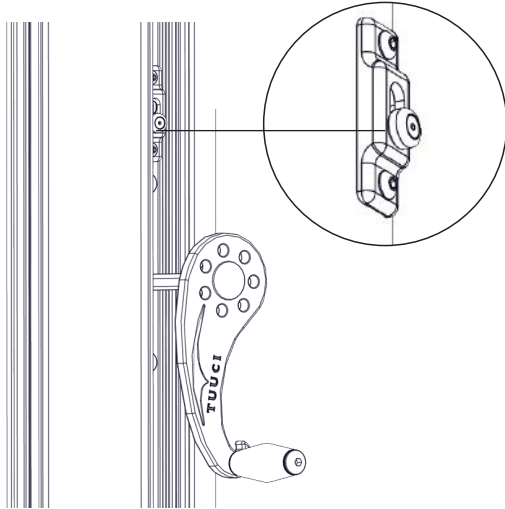
Gently separate each individual rib from the mast prior to operating crank. Install easy drive crank and turn crank clockwise to fully open the canopy.



OCEAN MASTER MEGA MAX CENTER POST

Step 15

Lock parasol by having the crank inserted and sliding the button down.



Step 16

Remove bubble wrap from each rib.

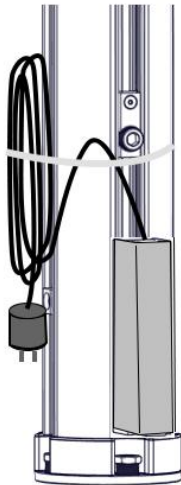


IF APPLICABLE - WITH LED LIGHT

Cut zip tie holding power supply cable on parasol mast .

Plug into an electrical outlet.

Refer to light switch instructions for how to use.



IMPORTANT: Close parasol during wind conditions that exceed manufacturer's specifications

When not in use the canopy must be carefully folded and secured with the tie-straps.

