



INSTALLATION INSTRUCTION FOR NEW POUR CONCRETE

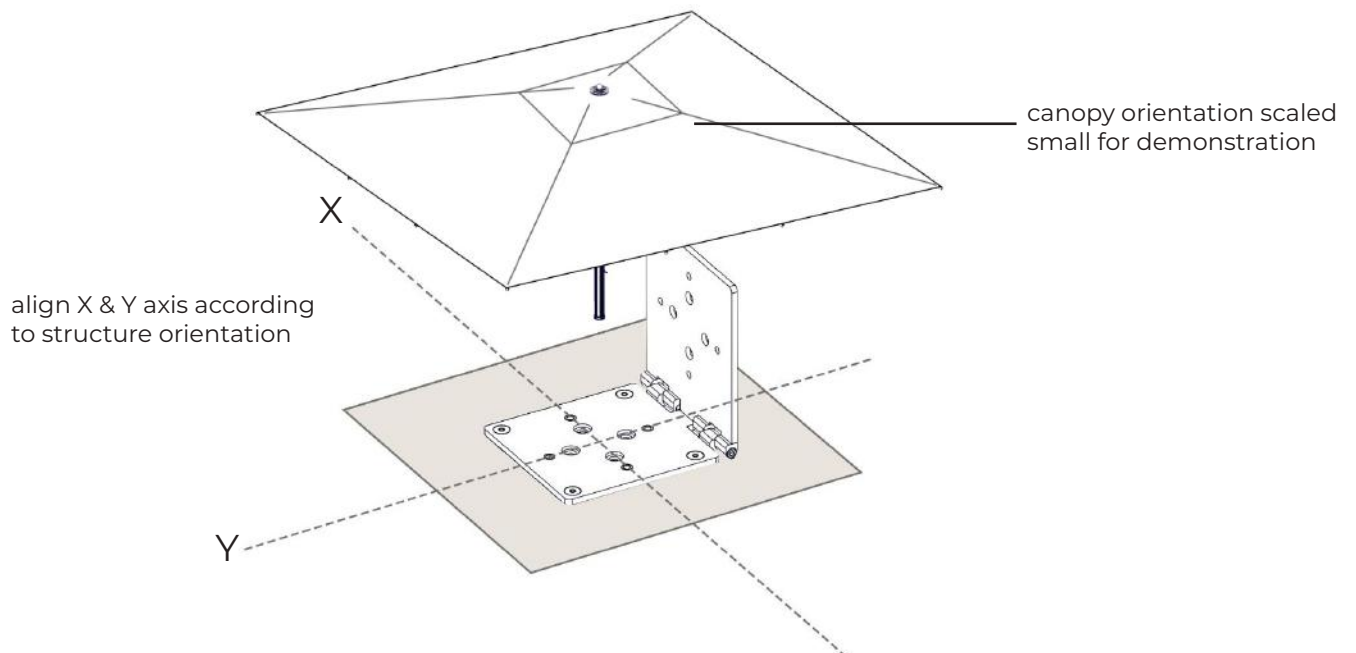
MEGA MAX INGROUND HINGE BASE

ANCHOR TYPE: 5/8" J BOLTS

CONCRETE TYPE: 4000 PSI reinforced with number 4 rebar, spaced 12" on center, on both the top and bottom faces, and oriented in both the longitudinal and transverse directions.

Install hinge base into a 4' x 4' x 2' concrete slab using 4000 PSI reinforced with number 4 rebar, spaced 12" on center, on both the top and bottom faces, and oriented in both the longitudinal and transverse directions.

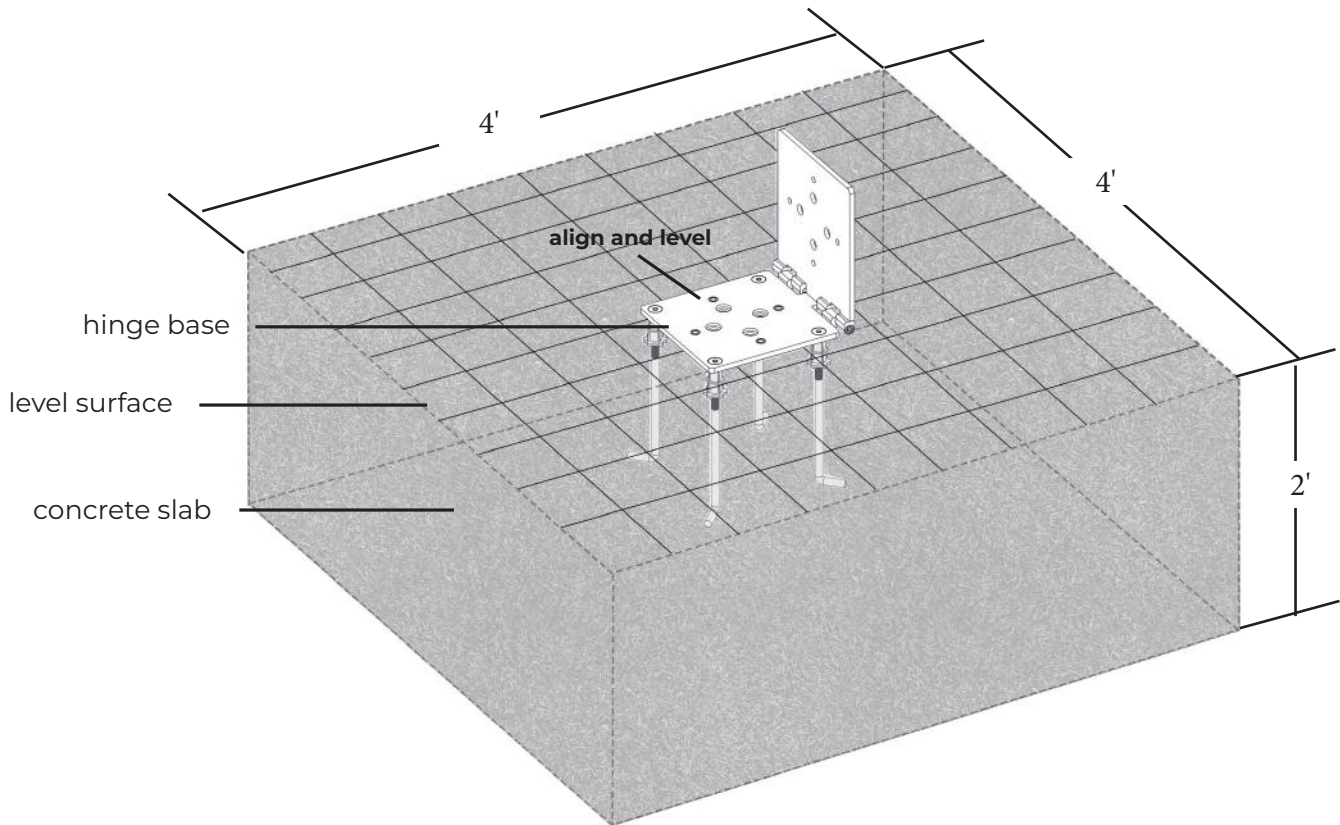
Determine the location of the hinge base.



MEGA MAX INGROUND HINGE BASE

Recommendation:

Cover hinge base holes, hinge and top plate with painters tape to protect from concrete.



INSTALL THE BASE STEM TO THE HINGE BASE USING THE HARDWARE INSIDE THE HARDWARE BOX.

