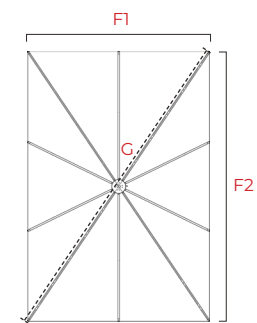
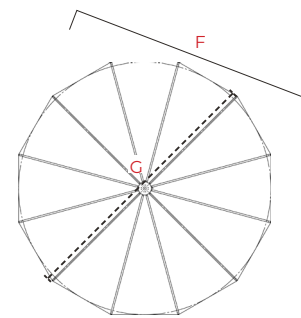
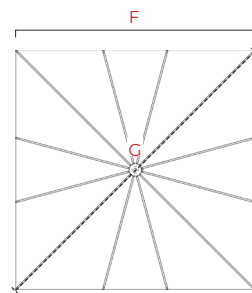
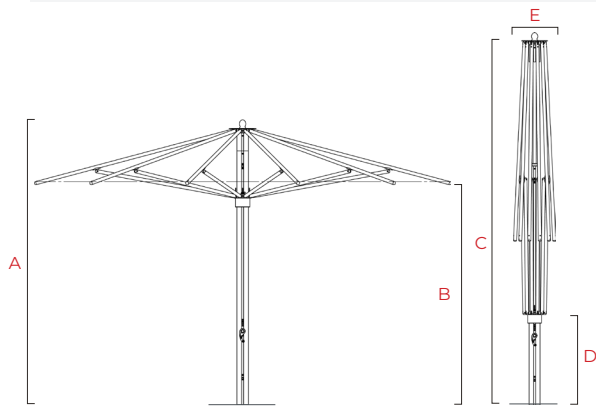




PRODUCT SPECIFICATIONS

OCEAN MASTER MEGA MAX CLASSIC

LIFT SYSTEM: EASYDRIVE CRANK



SHAPES	SQUARE			ROUND			RECTANGLE		
SIZES (ft/cm)	16.0 / 490	20.0 / 600	24.0 / 740	16.0 / 490	20.0 / 600	24.0 / 740	14.0 x 20.0 / 425 x 600	16.0 x 24.0 / 490 x 740	18.0 x 24.0 / 550 x 740
A (in/cm)	MAST HEIGHT (open position)			131 / 333	137 / 348	144 / 366	137 / 348	144 / 366	
B (in/cm)	CANOPY CLEARANCE			103 / 261	103 / 261	103 / 261	103 / 261	102 / 259	
C (in/cm)	MAST HEIGHT (closed position)			183 / 464	186 / 472	207 / 526	186 / 472	207 / 526	
D (in/cm)	TABLE CLEARANCE			45 / 114	14 / 35	7 ¹ / ₁₆ / 1	36 / 89	30 / 76	
E (in/cm)	PARASOL WIDTH (closed)			18 / 46	18 / 46	18 / 46	18 / 46	18 / 46	18 / 46
F (in/cm)	FLAT TO FLAT			192 / 487	240 / 609	287 / 729	F1 x F2: 165 x 244 / 418 x 620	F1 x F2: 193 x 286 / 490 x 726	
G (in/cm)	POINT TO POINT			271 / 689	339 / 861	406 / 1031	295 / 748	345 / 876	
(ft ² /m ²)	CANOPY AREA COVERAGE			23.7m ²	37.1m ²	53.1m ²	25.9m ²	35.6m ²	m ²

Dimension Tolerances ± 2" / 5cm. Dimensions shown are rounded to the nearest inch and correspond to indicated lift system. Options are subject to change without notice.