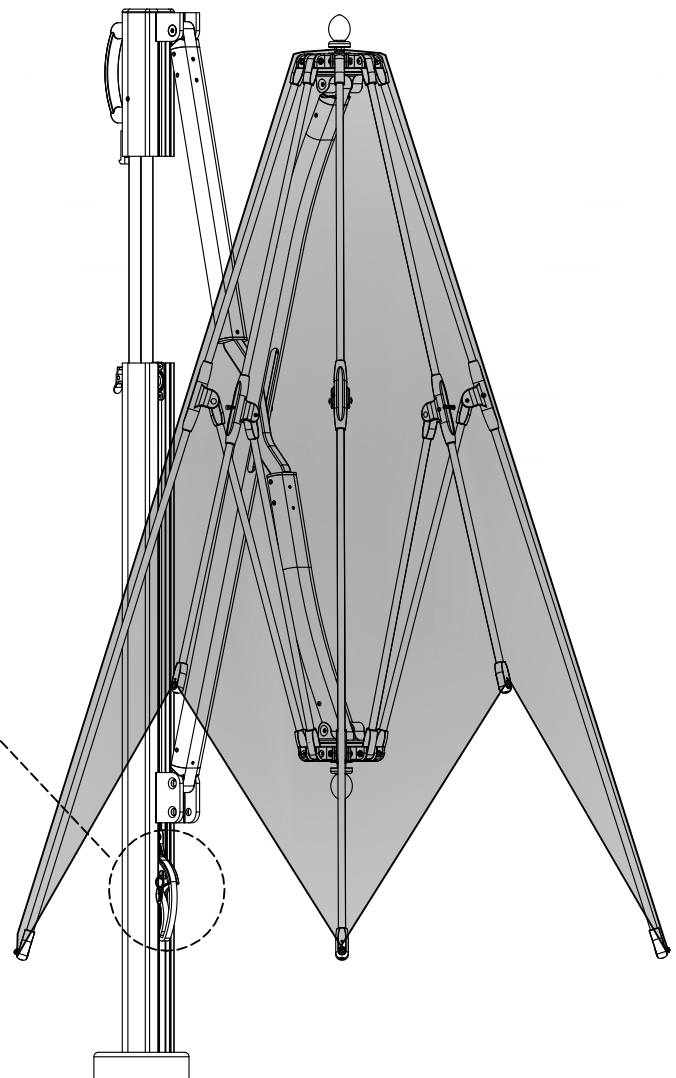
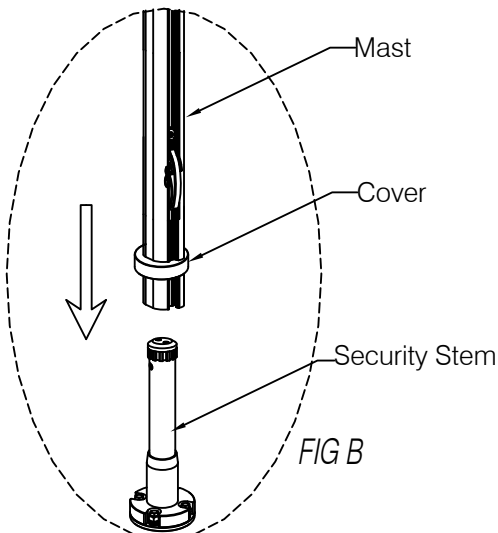
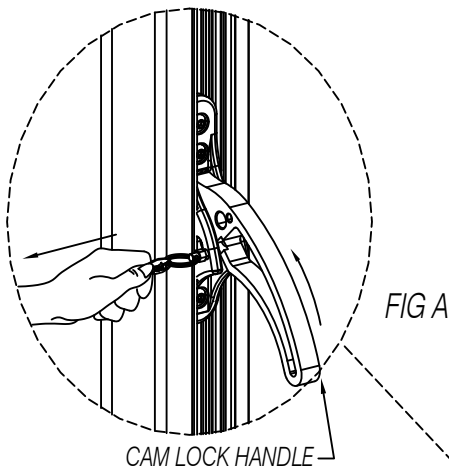
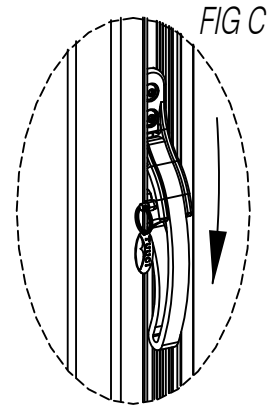


# OPERATING INSTRUCTIONS

BAY MASTER / VINEYARD FIBERFLEX  
POOL SIDE, SWIM-UNDER CANTILEVER

- ① Remove all packaging from umbrella, including inside the umbrella.
- ② Pull pin to unlock cam lock handle. Make sure cam lock handle is open (see FIG A).
- ③ Insert cover on to mast. Place Umbrella in SECURITY STEM (see FIG B).
- ④ Push cam lock handle (see FIG C) until engaged in the proper gear slot with the security stem in the downward position.

*\* To rotate umbrella: Pull cam lock handle pin to unlock, pull handle up and turn umbrella to desired location. Push handle back down to lock.*



Global headquarters

2900 NW 35th Street  
Miami, FL 33142 USA

t 305.634.5116  
f 305.634.5119

info@tuuci.com  
www.tuuci.com

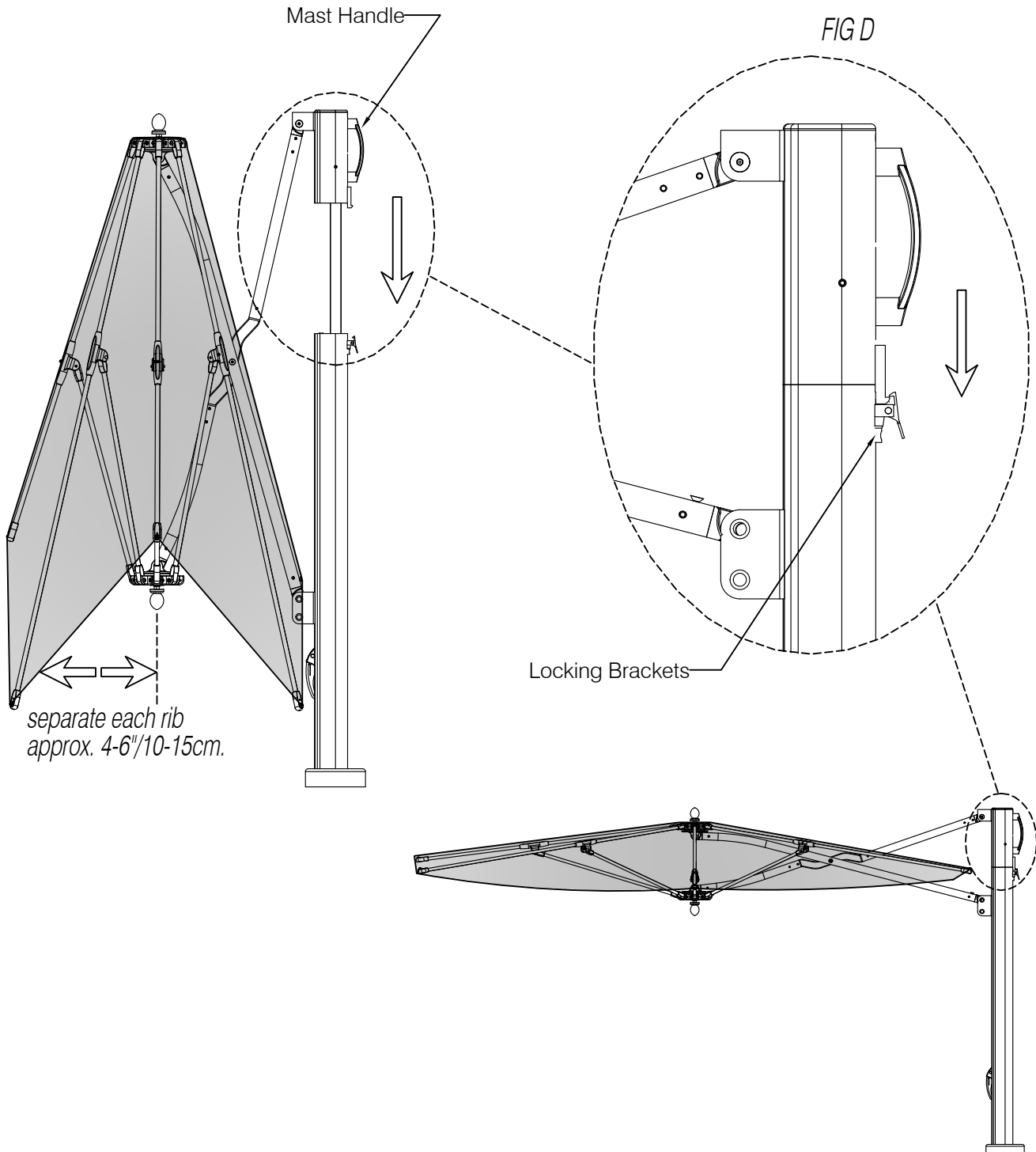
Version date: 05/04/2015 - [CL- SWIM-UP.dwg] - REV:A - Page 1 of 3

TUUCI  
made in miami

# OPERATING INSTRUCTIONS

BAY MASTER / VINEYARD FIBERFLEX  
POOL SIDE, SWIM-UNDER CANTILEVER

- ⑤ Gently separate EACH RIB INDIVIDUALLY from center hub, approx. 4-6" [10-15cm].  
If rib does not move easily, do NOT force. Inspect product for additional packaging.
- ⑥ Pull mast handle down until the locking brackets are fully engaged, (see FIG D)



## Global headquarters

2900 NW 35th Street  
Miami, FL 33142 USA

t 305.634.5116  
f 305.634.5119

info@tuuci.com  
www.tuuci.com

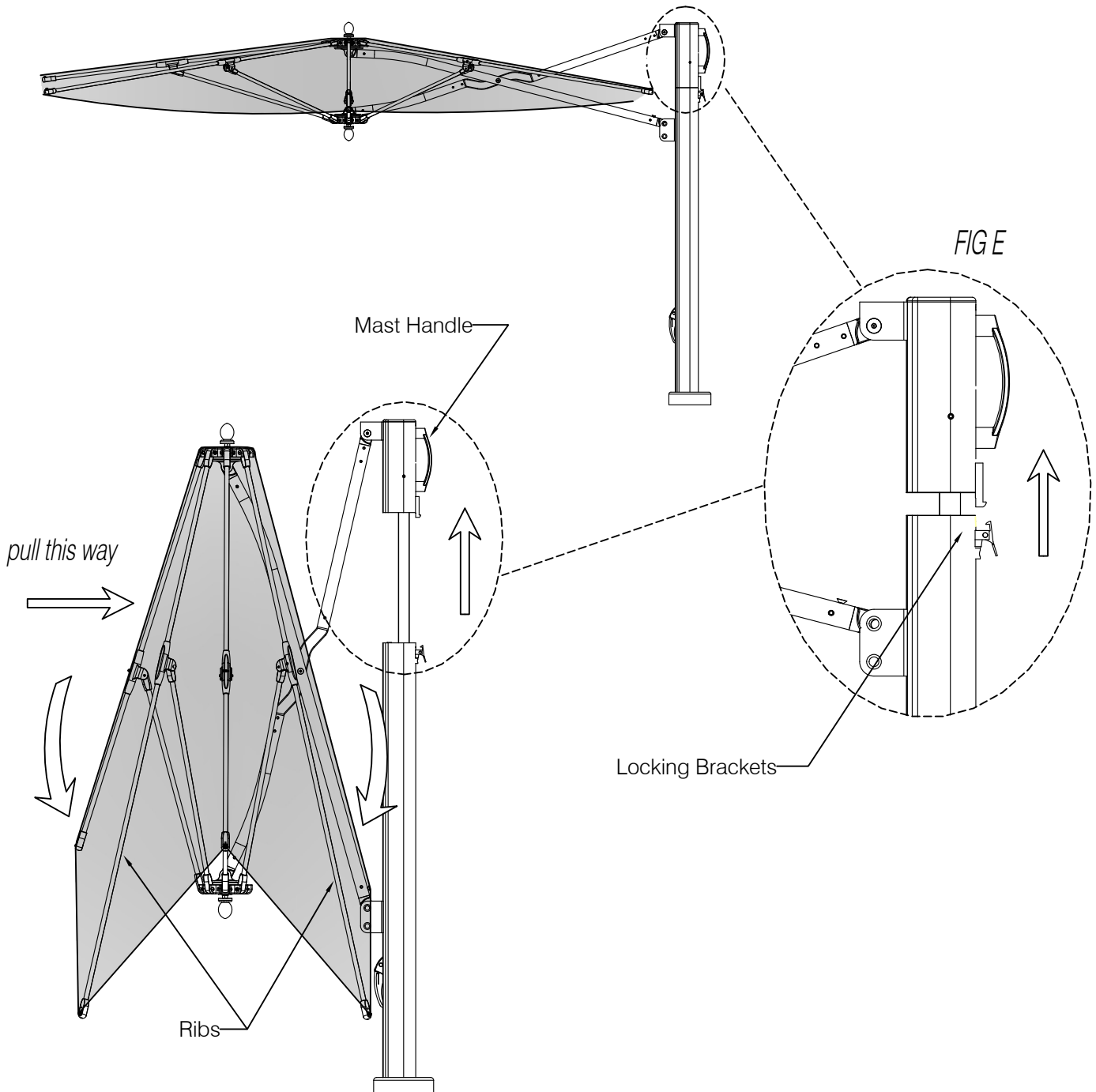
Version date: 04/27/2015 - [CL- SWIM-UP.dwg] - REV:A - Page 2 of 3

TUUCI  
made in miami

# OPERATING INSTRUCTIONS

BAY MASTER / VINEYARD FIBERFLEX  
POOL SIDE, SWIM-UNDER CANTILEVER

- ⑧ To close umbrella disengage the locking brackets (see FIG E).
- ⑨ Gently gather all canopy ribs and push up mast handle, tie back for safety.



Global headquarters

2900 NW 35th Street  
Miami, FL 33142 USA

t 305.634.5116  
f 305.634.5119

info@tuuci.com  
www.tuuci.com

Version date: 04/27/2015 - [CL - SWIM-UP.dwg] - REV:A - Page 3 of 3

TUUCI<sup>®</sup>  
made in miami