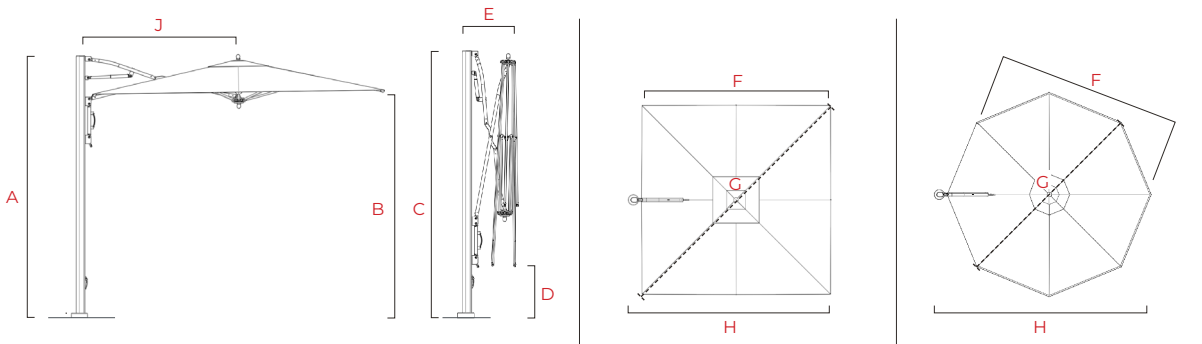


PRODUCT SPECIFICATIONS

# BAY MASTER M1 CLASSIC CANTILEVER



| SHAPES        |   | SQUARE    |            | OCTAGON   |            |
|---------------|---|-----------|------------|-----------|------------|
| SIZES (ft/cm) |   | 8.0 / 245 | 10.0 / 305 | 9.0 / 275 | 11.0 / 340 |
| A (in/cm)     | MAST HEIGHT (open)                              | 107 / 272 | 107 / 272  | 107 / 272 | 107 / 272  |
| B (in/cm)     | CANOPY CLEARANCE                                | 93 / 236  | 92 / 234   | 89 / 226  | 89 / 226   |
| C (in/cm)     | MAST HEIGHT (closed)                            | 107 / 272 | 107 / 272  | 107 / 272 | 107 / 272  |
| D (in/cm)     | TABLE CLEARANCE                                 | 38 / 96   | 20 / 52    | 43 / 110  | 31 / 79    |
| E (in/cm)     | PARASOL WIDTH (closed)                          | 22 / 57   | 24 / 61    | 22 / 57   | 20 / 51    |
| F (in/cm)     | FLAT TO FLAT                                    | 96 / 243  | 119 / 302  | 102 / 258 | 123 / 313  |
| G (in/cm)     | POINT TO POINT                                  | 136 / 345 | 169 / 429  | 110 / 279 | 133 / 338  |
| H (in/cm)     | PARASOL WIDTH (open)                            | 105 / 267 | 128 / 325  | 119 / 302 | 142 / 361  |
| J (in/cm)     | CENTER OF CANOPY (frame to center of base stem) | 54 / 137  | 65 / 165   | 60 / 152  | 72 / 183   |

Dimension Tolerances  $\pm 2" / 5\text{cm}$ . Dimensions shown are rounded to the nearest inch and correspond to indicated lift system. Options are subject to change without notice.