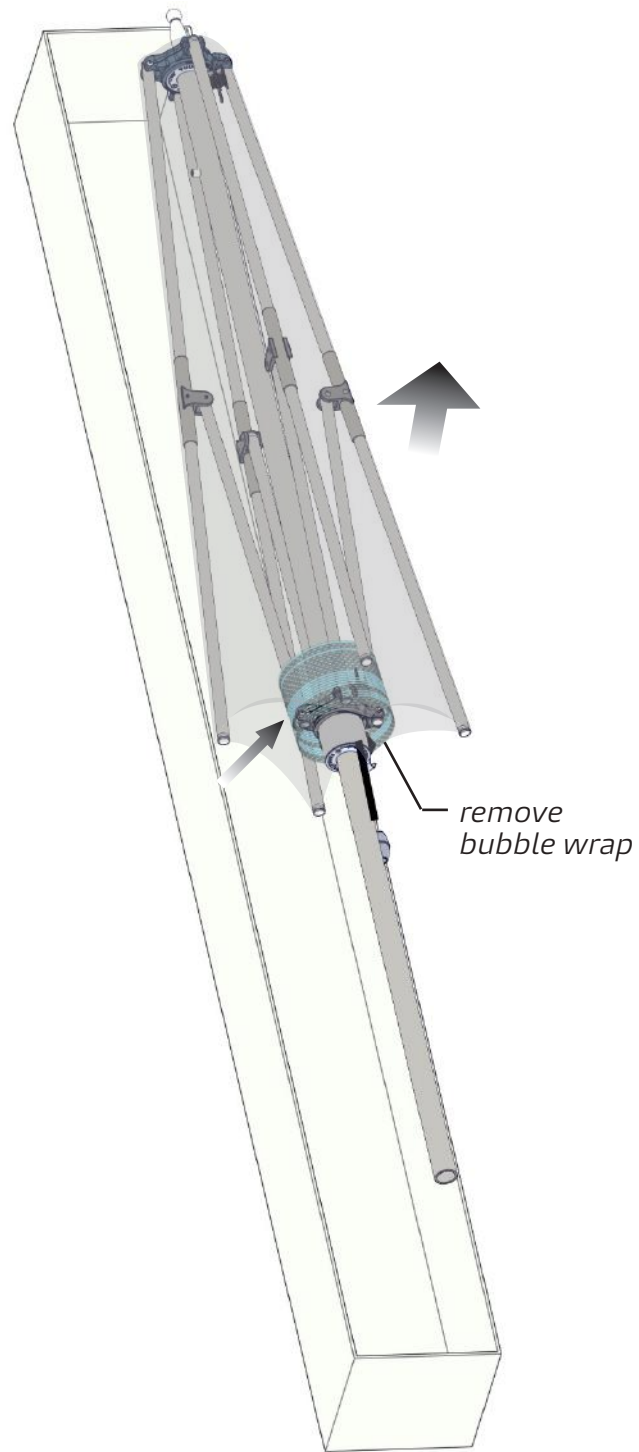


assembly & operating instructions

Steps 2 and 3 will continue to be important for the life of the umbrella, for more information please visit tuuci.com
 Close umbrella when not in use and in inclement wind & weather

- 1** Remove all packaging from umbrella
 remove: plastic cover bag & bubble wrap inside canopy and around frame



- 2** Insert & secure umbrella into appropriate base.



a with above ground base

b with in-ground flush mount

- 3** Gently separate each rib from center post, approx. 4 to 8 inches. If rib does not move easily, do not force. Inspect product for additional packaging.

