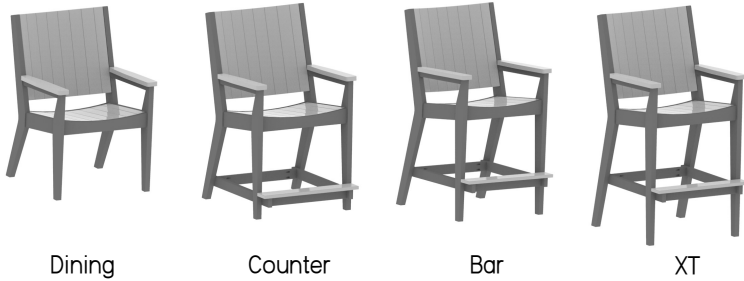




Mayhew Chat Dining Chairs Assembly Guide



Dining

Counter

Bar

XT

Tools Required



Cordless Drill



#2 Square Drive Bit (Included)



5/32" Allen Drive Bit (Included)

Hardware Included



4 - 1" Buglehead Screws



8 - 2" Pandeck Screws

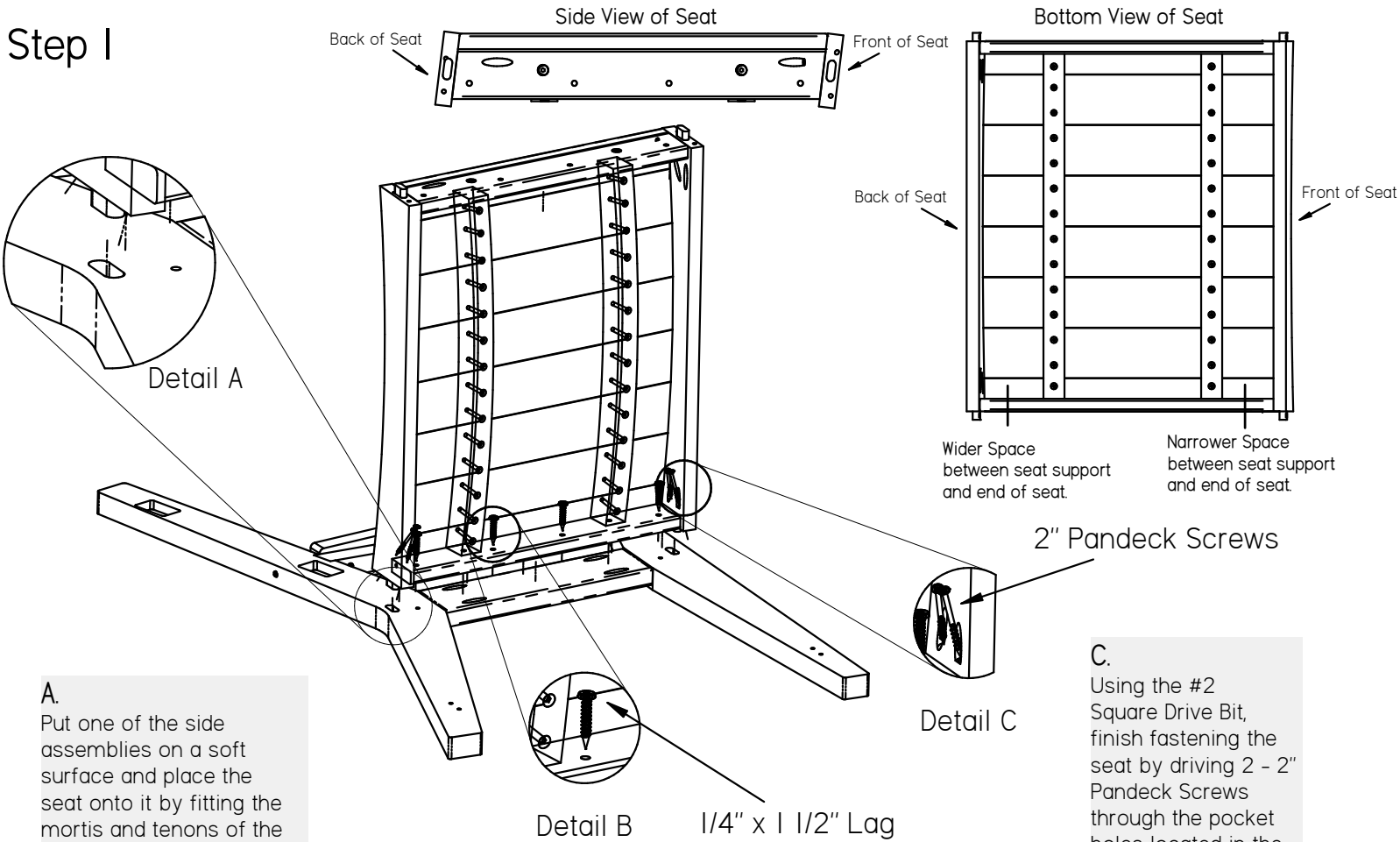


8 - 1/4" x 1 1/2" Lags



8 - 1/4" x 2" Lags (Not Included with Dining HT)

Step 1



A.
Put one of the side assemblies on a soft surface and place the seat onto it by fitting the mortis and tenons of the two pieces together. (See Detail A.)
Use the examples above to ensure the front and back of the seat are correctly located.

B.
Use the 5/32 Allen Drive Bit to drive 4 - 1/4" x 1 1/2" Lags through the pre-drilled holes in the side of the seat. You may need to reverse your drill several times before you are able to drive the lags in completely.

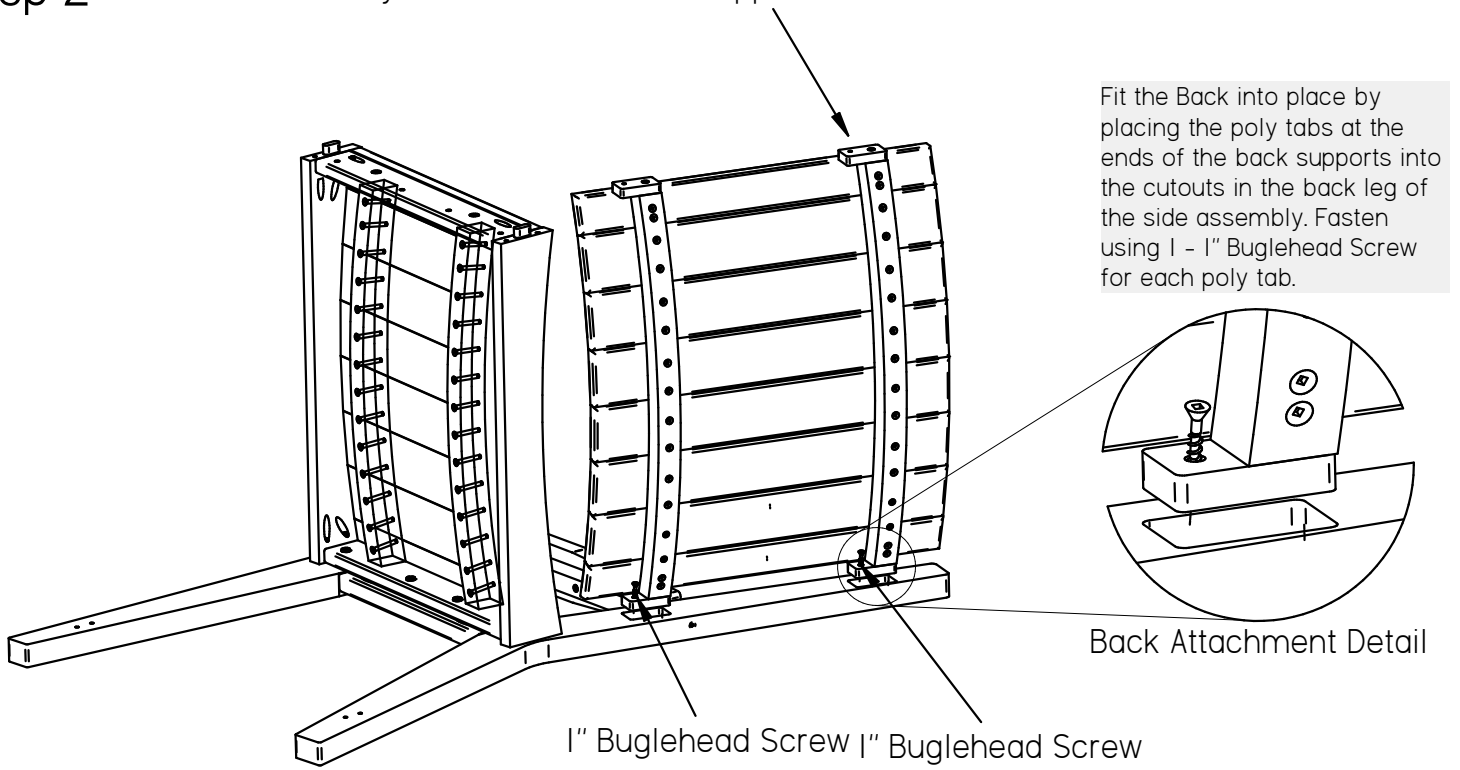
C.
Using the #2 Square Drive Bit, finish fastening the seat by driving 2 - 2" Pandeck Screws through the pocket holes located in the very front and back cross pieces of the seat.



When tightening screws or lags, **DO NOT OVERTIGHTEN** to avoid stripping their hold on the material!

Step 2

Poly Tab at End of back Support Should Point Downwards



Step 3

Attach the second side assembly by repeating Steps 1 & 2.

Step 4

(Counter, Bar & XT Heights Only)

