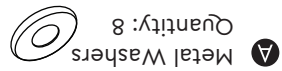
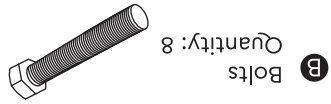
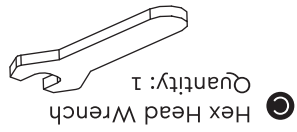
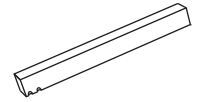


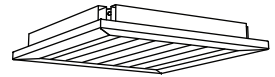
NOTE: Table top may vary from illustrations but the assembly is the same for all Travira coffee tables.  
 NOTE: Hardware pack may contain extra hardware.



**HARDWARE**



Quantity: 4  
 ② Corner Posts

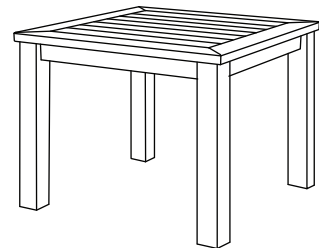


Quantity: 1  
 ① Table Top Assembly

**COMPONENTS**

OXFORD *G* GARDEN®

TRAVIRA END TABLE  
 ASSEMBLY  
 INSTRUCTIONS



15 Kingbrook Parkway, Suite 100  
 Simpsonville, KY 40067

p. 877.866.3331 f. 502.719.8888

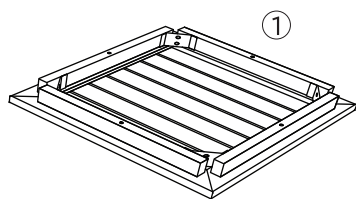
oxfordgarden.com

## INSTRUCTIONS

---

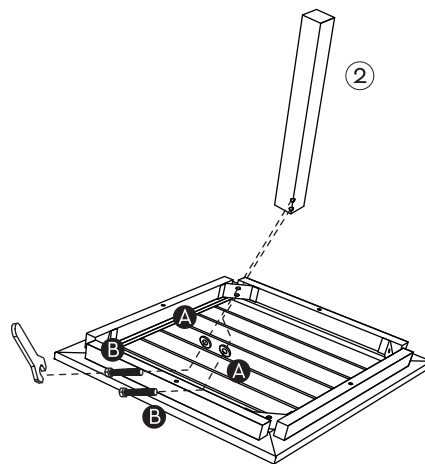
### STEP 1

On a clean flat surface, lay table top ① upside down.

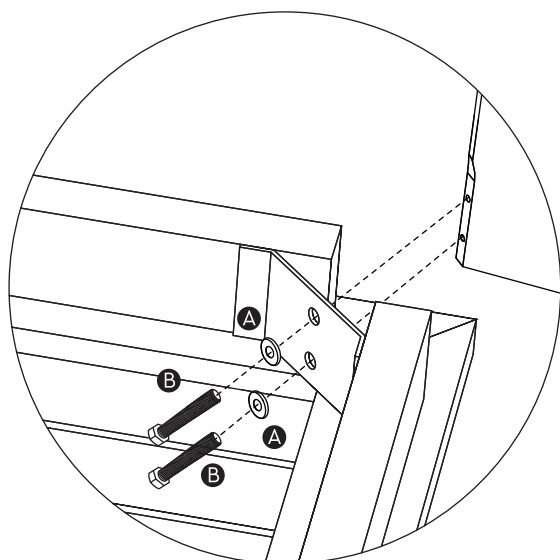


### STEP 2

Using the provided wrench, secure corner post ② to the table top using two metal washers (A) and two bolts (B).



### STEP 2 (detail)



### Step 3

Repeat step 2 for the remaining 3 corner posts.

### STEP 4

Carefully turn the assembled table in an upright position and enjoy!

