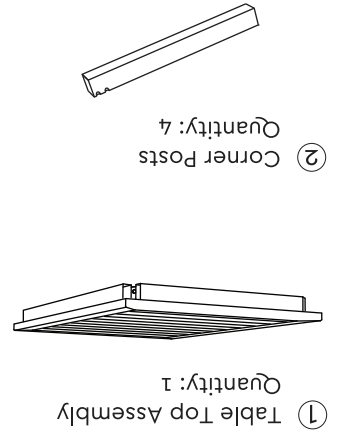


NOTE: Table top may vary from illustrations but the assembly is the same for all Travira coffee tables.
 NOTE: Hardware pack may contain extra hardware.



HARDWARE

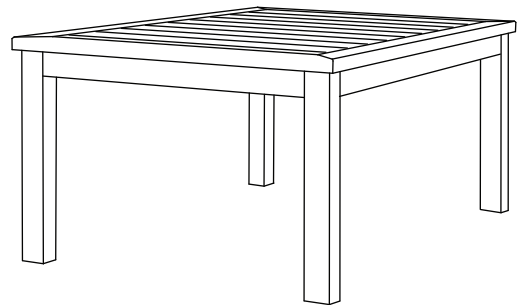


COMPONENTS

OXFORD *G* GARDEN®

TRAVIRA COFFEE TABLE

**ASSEMBLY
INSTRUCTIONS**



15 Kingbrook Parkway, Suite 100
 Simpsonville, KY 40067

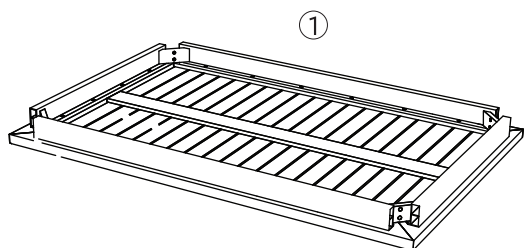
p. 877.866.3331 f. 502.719.8888

oxfordgarden.com

INSTRUCTIONS

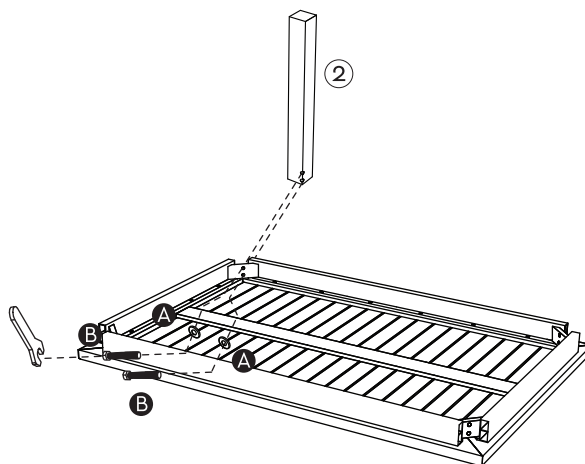
STEP 1

On a clean flat surface, lay table top ① upside down.

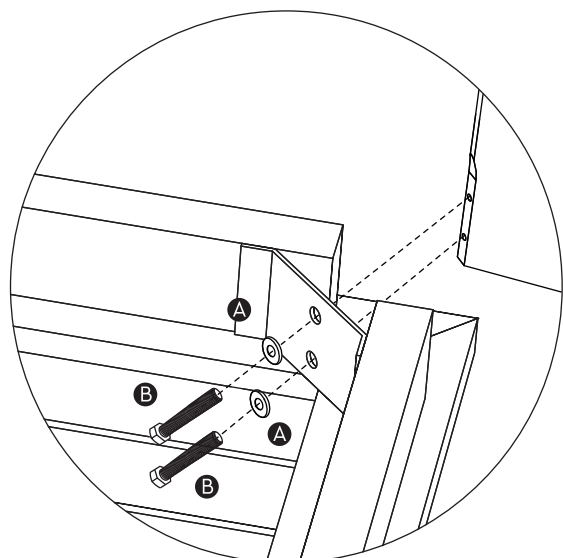


STEP 2

Using the provided wrench, secure corner post ② to the table top using two metal washers (A) and two bolts (B).



STEP 2 (detail)



Step 3

Repeat step 2 for the remaining 3 corner posts.

STEP 4

Carefully turn the assembled table in an upright position and enjoy!

