

TRAVIRA CAFE' TABLES

ASSEMBLY  
INSTRUCTIONS

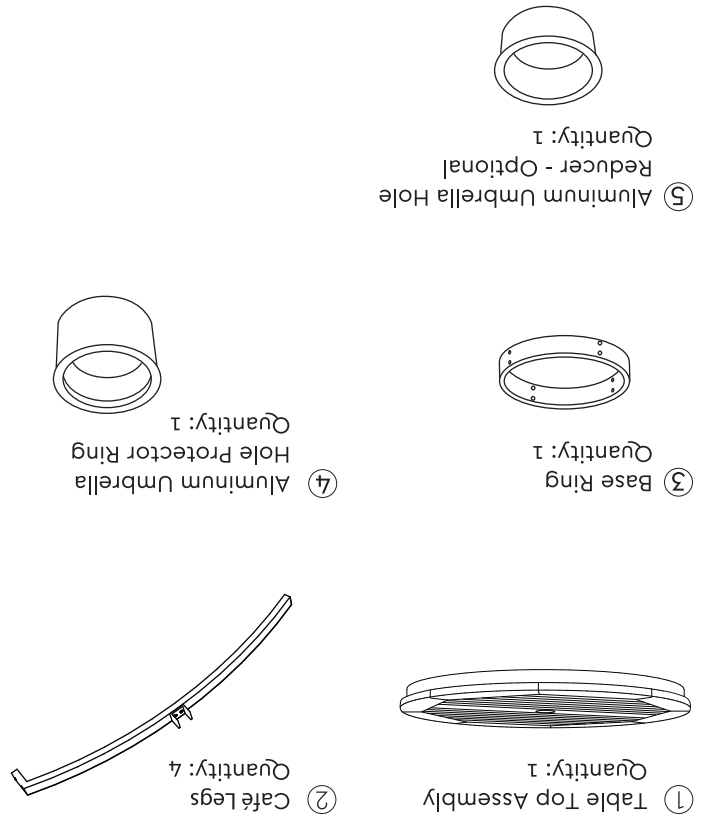


15 Kingbrook Parkway, Suite 100  
Simpsonville, KY 40067

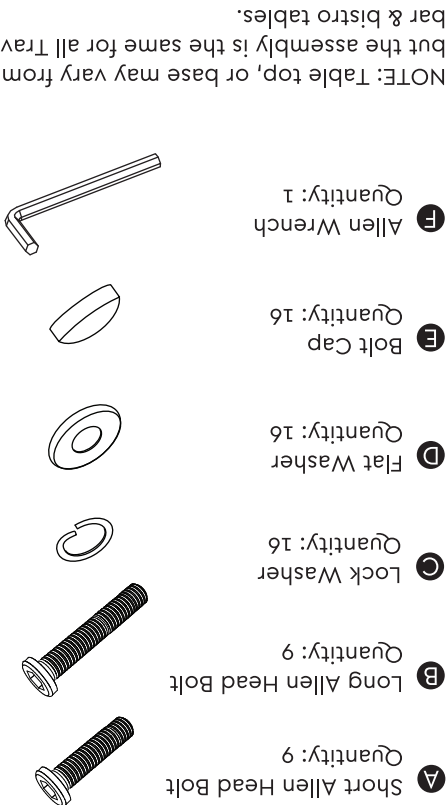
p. 877.866.3331 f. 502.719.8888

oxfordgarden.com

**COMPONENTS**



**HARDWARE**



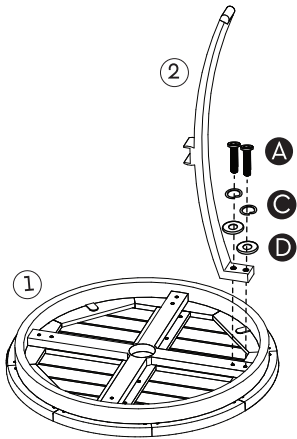
NOTE: Table top, or base may vary from illustrations but the assembly is the same for all Travira Cafe' bar & bistro tables.

NOTE: For long & medium bolts, 170 inch pounds for the bolt torque is recommended for commercial installations.

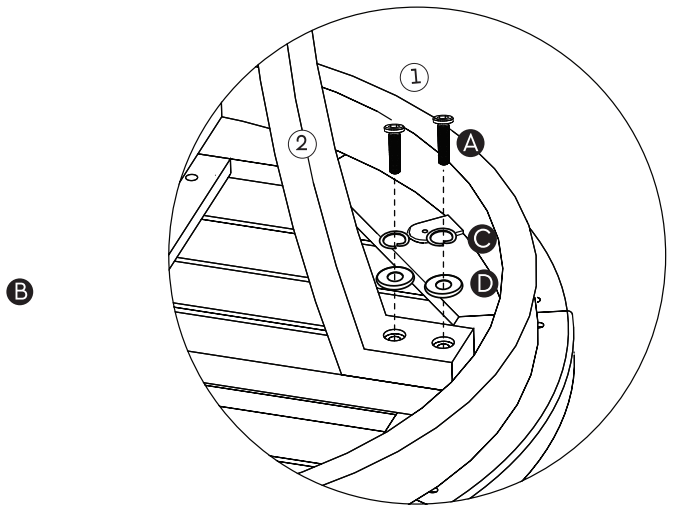
## INSTRUCTIONS

### STEP 1

Lay table top ① upside down on clean smooth surface. Using the allen wrench provided, loosely attach THREE legs ② to table top using the SHORT bolts A, lock washers C and flat washers D provided as shown.



### STEP 1 (detail)

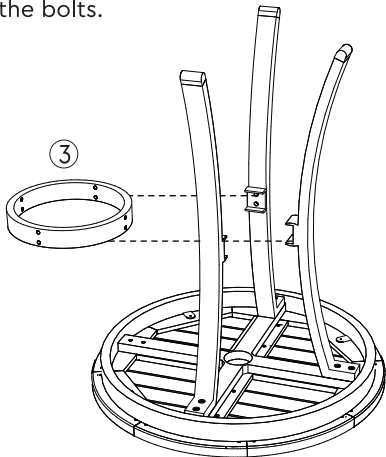


### STEP 2

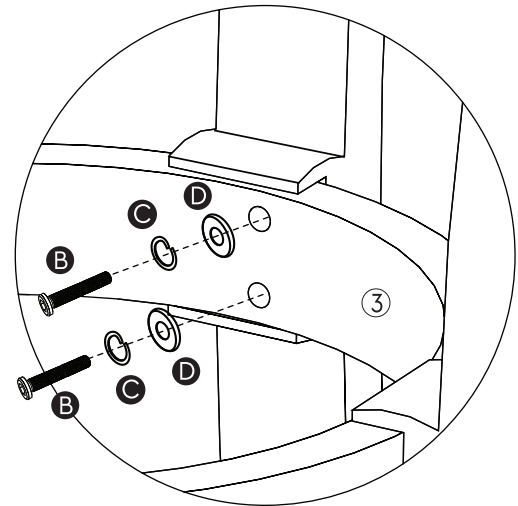
Carefully insert base ring ③ and loosely attach to three legs using the bolts, lock washers and washers provided.

NOTE: Do not tighten bolts yet.

Repeat Step 1 and attach fourth leg to table top. Next, repeat Step 2 to attach fourth leg to ring and then go back and tighten all the bolts.

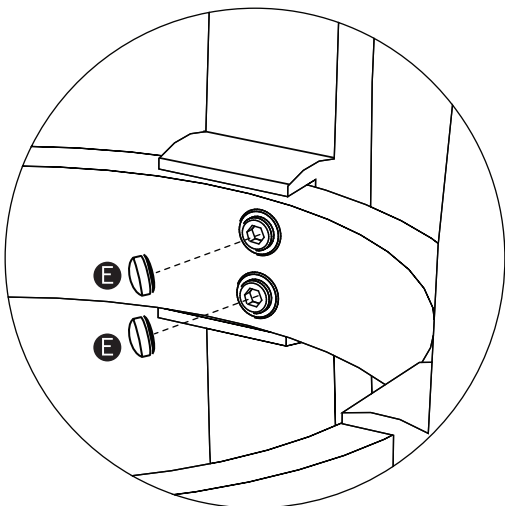


### STEP 2 (detail)



### STEP 3

Lastly, snap bolt caps E over all bolts, turn right side up and enjoy!



### STEP 4

Insert Aluminum Umbrella Hole Protector Ring ④ as shown. Optional - If you have a smaller umbrella pole - use the provided Aluminum Umbrella Hole Reducer ⑤ to secure umbrella.

