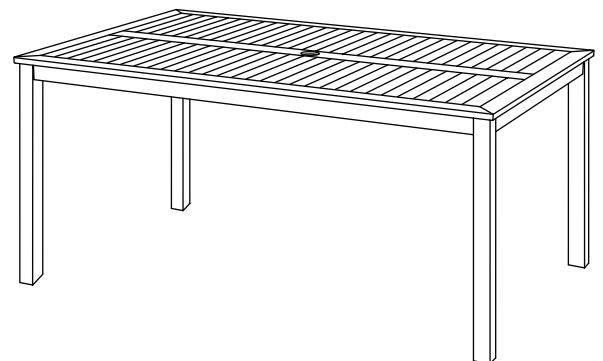


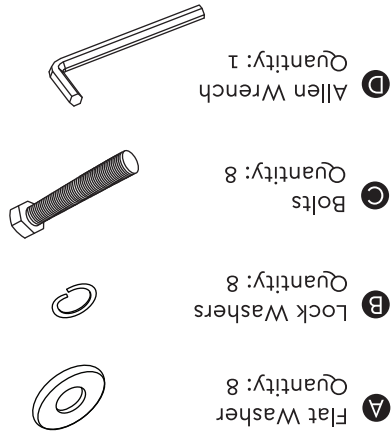
COMPONENTS

OXFORD *G* GARDEN®

63" TRAVIRA TABLE
**ASSEMBLY
 INSTRUCTIONS**



NOTE: Table top may vary from illustrations but the assembly is the same for all Travira 63" tables.



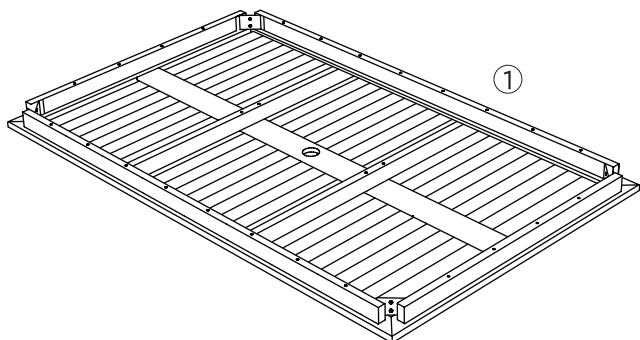
HARDWARE

15 Kingbrook Parkway, Suite 100
 Simpsonville, KY 40067
 p. 877.866.3331 f. 502.719.8888
 oxfordgarden.com

INSTRUCTIONS

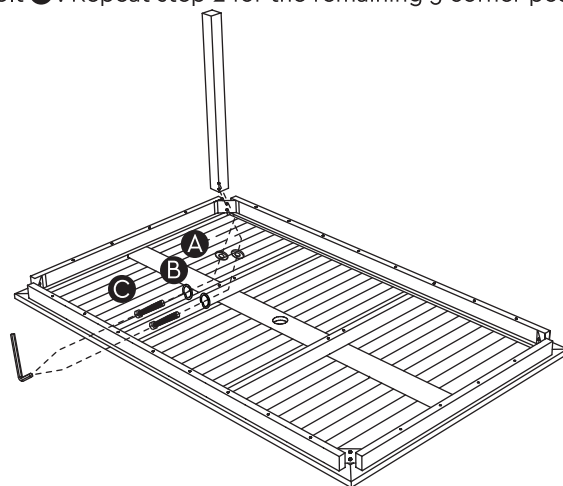
STEP 1

On a flat surface, lay table ① top upside down.

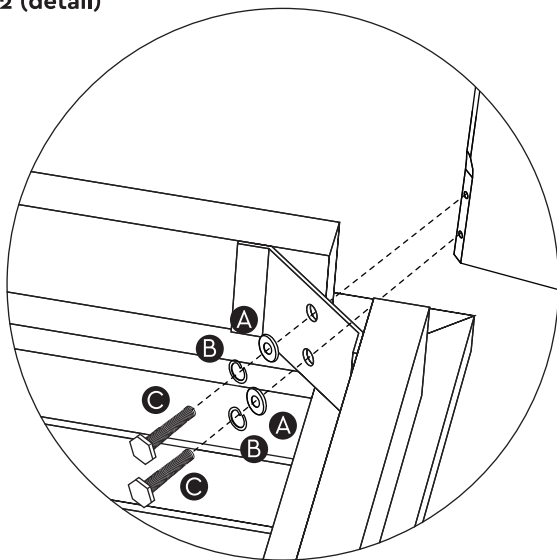


STEP 2

Using the provided wrench, secure corner post to the table top using a metal lock washer, B washer A and bolt C. Repeat step 2 for the remaining 3 corner posts.

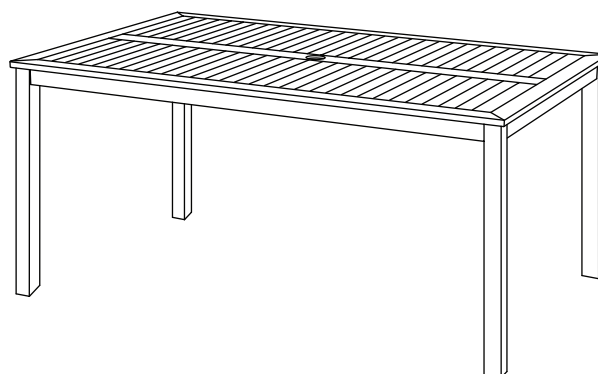


STEP 2 (detail)



STEP 3

Carefully turn the assembled dining table in an upright position.



STEP 4 (Optional)

If you have a smaller umbrella pole - use the provided Aluminum Umbrella Hole Reducer ④ to secure umbrella.

