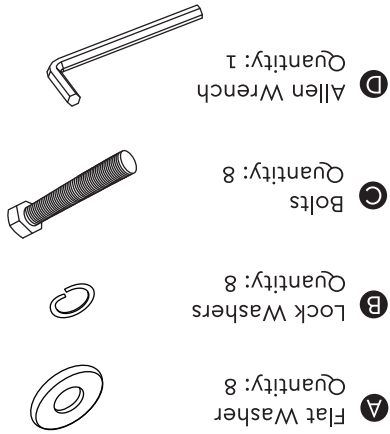


**COMPONENTS**

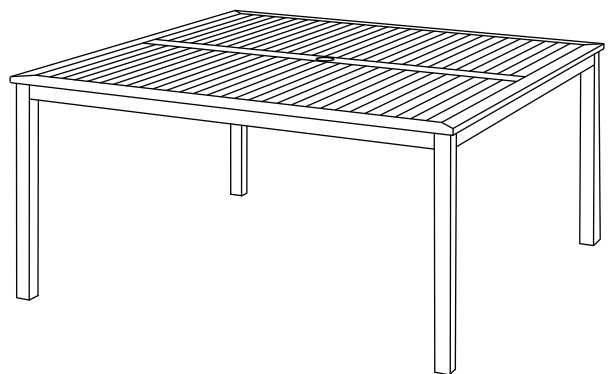


**HARDWARE**

OXFORD *G* GARDEN®

60" SQUARE TRAVIRA TABLE

**ASSEMBLY  
INSTRUCTIONS**



15 Kingbrook Parkway, Suite 100  
Simpsonville, KY 40067

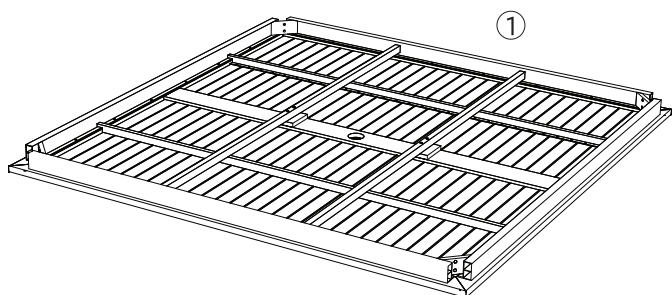
p. 877.866.3331 f. 502.719.8888

oxfordgarden.com

# INSTRUCTIONS

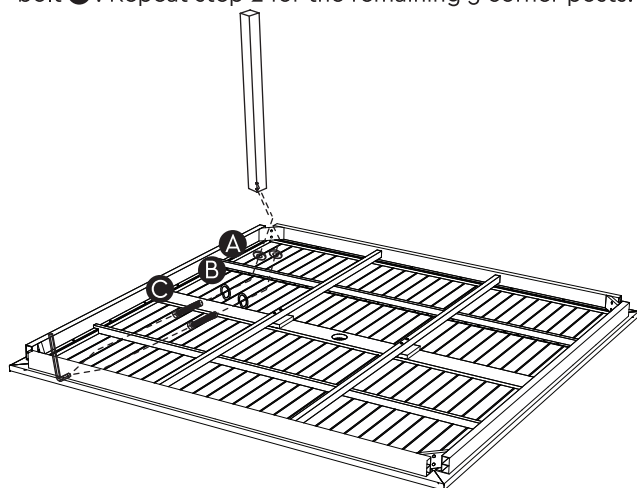
## STEP 1

On a flat surface, lay table ① top upside down.

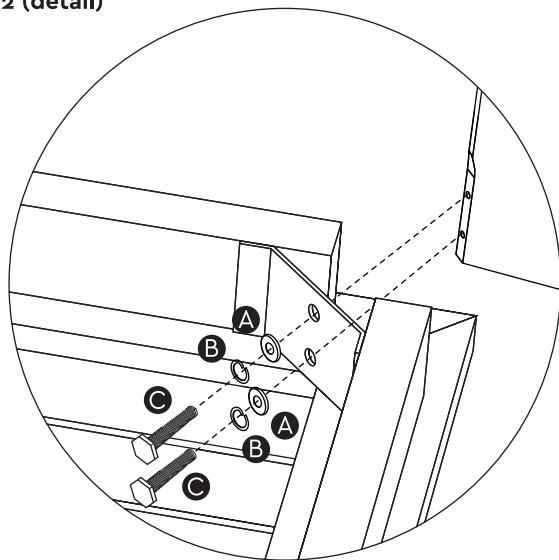


## STEP 2

Using the provided wrench, secure corner post to the table top using a metal lock washer, B washer A and bolt C. Repeat step 2 for the remaining 3 corner posts.

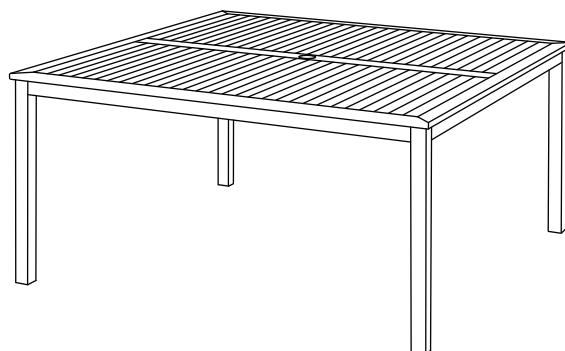


## STEP 2 (detail)



## STEP 3

Carefully turn the assembled dining table in an upright position.



## STEP 4 (Optional)

If you have a smaller umbrella pole - use the provided Aluminum Umbrella Hole Reducer ④ to secure umbrella.

