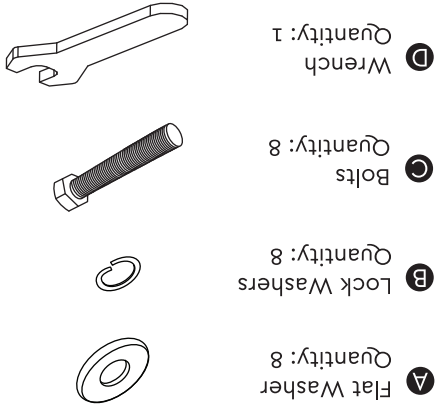
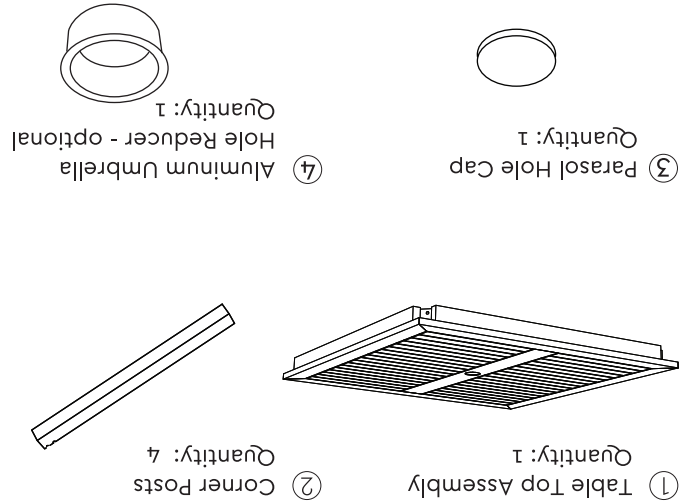


NOTE: Table top may vary from illustrations but the assembly is the same for all Travira 39" tables.



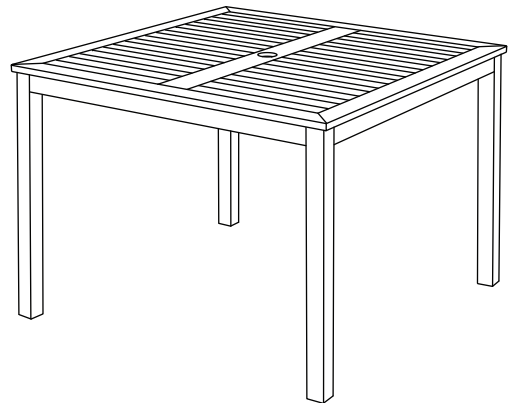
**HARDWARE**



**COMPONENTS**

OXFORD *G* GARDEN®

39" TRAVIRA TABLE  
ASSEMBLY  
INSTRUCTIONS

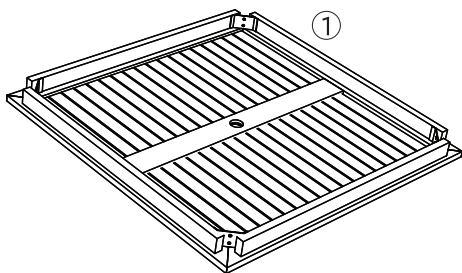


15 Kingbrook Parkway, Suite 100  
Simpsonville, KY 40067  
p. 877.866.3331 f. 502.719.8888  
oxfordgarden.com

## INSTRUCTIONS

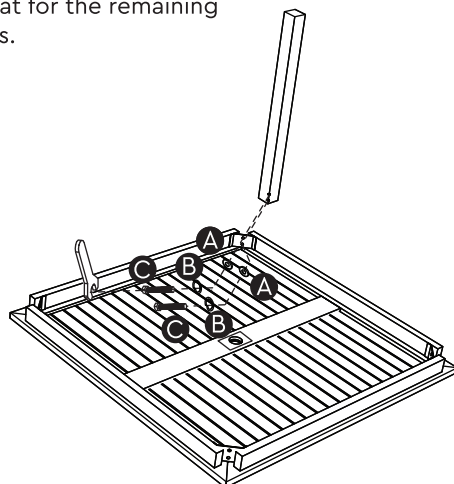
### STEP 1

On a flat surface, lay table ① top upside down.

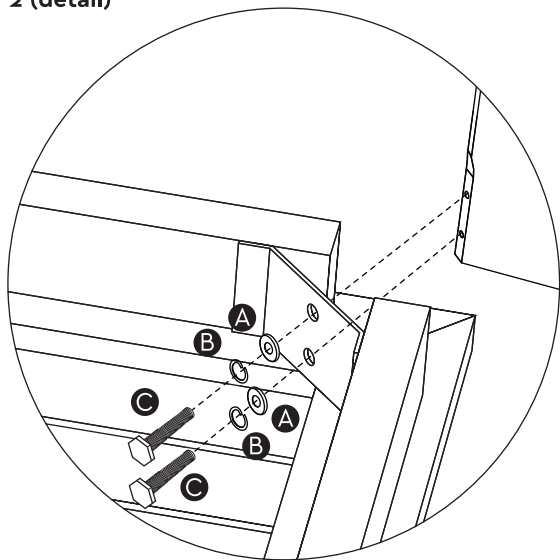


### STEP 2

Using the provided wrench, secure corner post to the table top using a metal lock washer, B washer A and bolt C. Repeat for the remaining 3 corner posts.

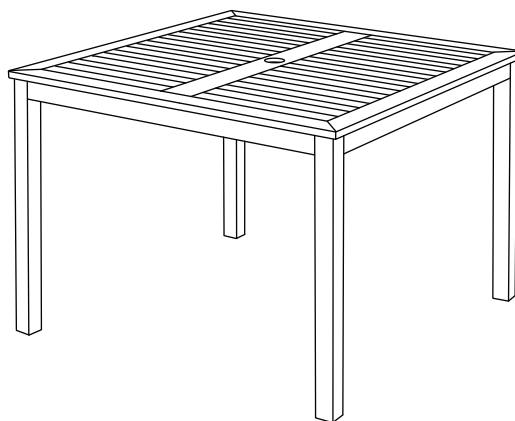


### STEP 2 (detail)



### STEP 3

Carefully turn the assembled dining table in an upright position.



### STEP 4 (Optional)

If you have a smaller umbrella pole - use the provided Aluminum Umbrella Hole Reducer ④ to secure umbrella.

