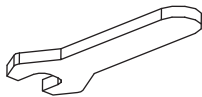


Feet have adjustable height screws to allow the table to be leveled on uneven surfaces if necessary.

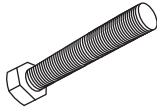
NOTE



Ⓒ Hex Wrench
Quantity: 1

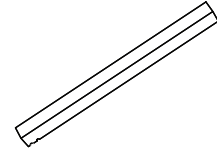


Ⓑ Washer
Quantity: 8

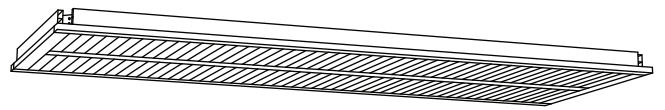


Ⓐ Bolt
Quantity: 8

HARDWARE



Ⓓ Table Leg
Quantity: 4



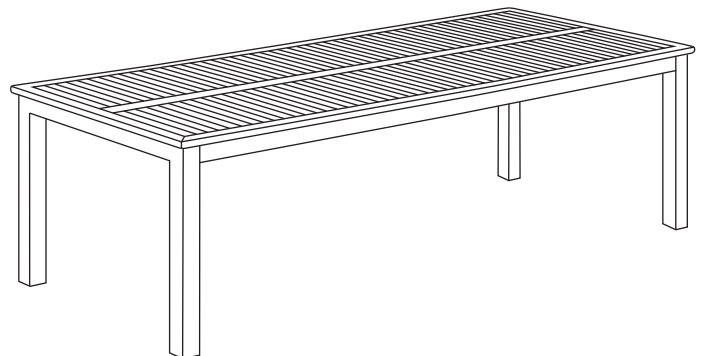
Ⓘ Tabletop Assembly
Quantity: 1

COMPONENTS

OXFORD *G* GARDEN®

TRAVIRA 103" RECTANGULAR DINING TABLE

**ASSEMBLY
INSTRUCTIONS**



15 Kingbrook Parkway, Suite 100
Simpsonville, KY 40067

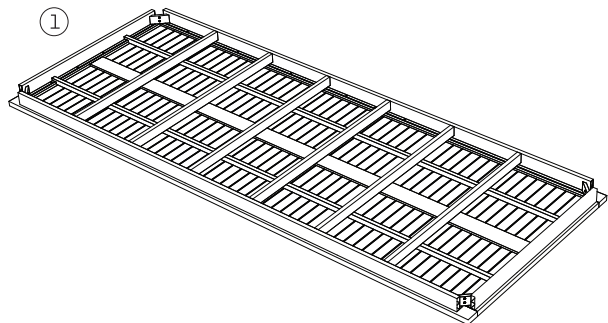
p. 877.866.3331 f. 502.719.8888

oxfordgarden.com

INSTRUCTIONS

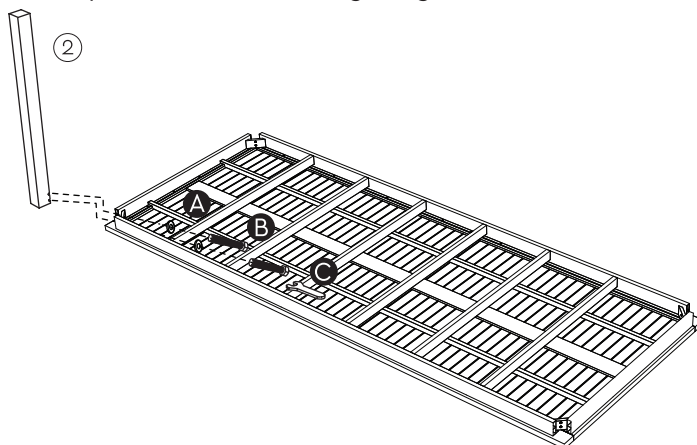
STEP 1

On a clean, flat surface, lay tabletop ① upside down

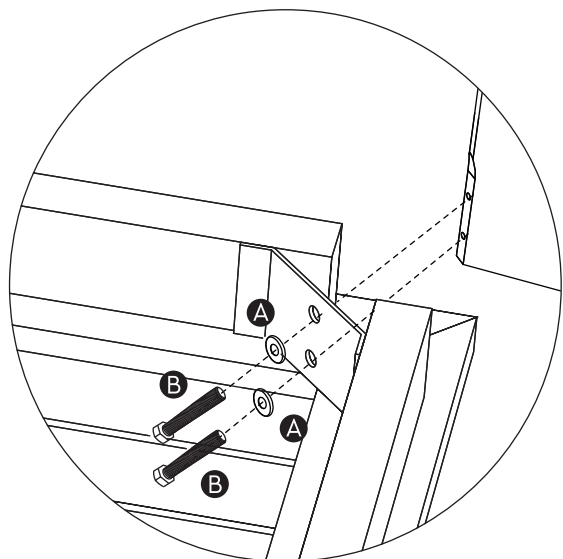


STEP 2

Using the provided wrench ③ secure table leg ② to the tabletop using a washer ④ and bolt ⑤. Repeat for the remaining 3 legs.



STEP 2 (detail)



STEP 3

Carefully turn assembled table in an upright position.

