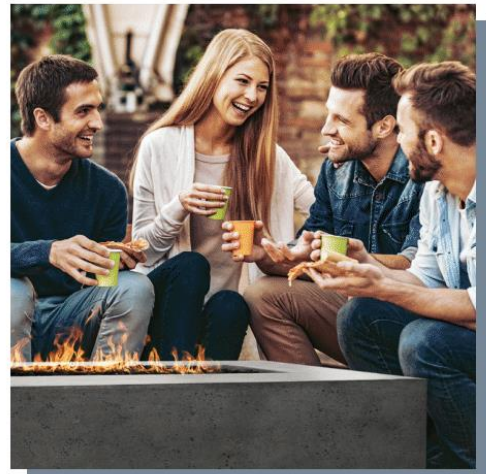


Tavola Series

Fire Table



WARNING: THIS APPLIANCE IS FOR OUTDOOR USE ONLY!



This manual should remain with the parties responsible for operation.

Table of Contents

Section 1: Safety Instructions

Section 2: General Description

2.1 Product Dimensions

2.2 Gas Requirements

2.3 Product Contents

2.4 Internal View of Components

Section 3: Installation Details

3.1 Receiving Checklist

3.2 How to Safely Move Your Table

3.3 Preparation & Installation

Section 4: Product Setup & Operation

4.1 Burner Test

4.2 Operation

4.3 Adjustment

Section 5: Maintenance

Section 6: Warranty

SAVE THESE INSTRUCTIONS. DO NOT DISCARD.

Section 1

Safety Instructions

WARNING

Before installing this product, read and follow all warning notices and instructions provided. Failure to do so may result in serious injury, property damage and/or death.

For additional free copies of these instructions, visit our website at prismhardscapes.com

This product must be installed and serviced by a contractor or qualified installer who is licensed and/or certified within the jurisdiction where the product will reside. In the event no such state or local requirement exists, the installer or maintainer must be a qualified professional with sufficient experience in installation and maintenance of gas appliances. Prior to installation, read and follow all warning notices and instructions that provided with this product. Failure to do so may result in property damage, personal injury, and/or death. Improper installation and/or operation may result in exposure to carbon monoxide and flue gases which can cause serious injury, property damage, and/or death. For installations in the vicinity of occupied/living areas, Prism Hardscapes strongly recommends installation of carbon monoxide detectors within reach of this appliance and in any adjacent occupied spaces. Improper installation and/or operation will void warranty.

Do not store or use gasoline or other flammable vapors and liquids within the vicinity of this or any other appliance.

WHAT TO DO IF YOU SMELL GAS

- Immediately switch off main gas supply.
- Do not try to light any appliance.
- Do not touch any electrical switch; do not use any phone in the building.
- Immediately remove yourself from the building, call your gas supplier and follow their instructions.
- If you cannot reach your gas supplier, call the fire department.

Installation and service must be performed by a qualified installer, service agency or gas supplier.

THIS APPLIANCE IS FOR USE WITH PROPANE OR NATURAL GAS ONLY. AT NO TIME ARE SOLID OR ALTERNATIVE FUELS TO BE USED WITH THIS APPLIANCE.

Prism Hardscapes strongly recommends the installation of Carbon Monoxide detectors within reach of this appliance and in any adjacent occupied spaces.



CALIFORNIA PROPOSITION 65

This product can expose you to Chromium, which is known in the state of California to cause cancer, birth defects or other reproductive harm.

(for more information, go to: www.p65warnings.ca.gov)

Warning

This appliance may produce carbon monoxide which has no odor. Using this appliance in an enclosed space such as a motorhome, camper, car or home may result in death.

Prism Hardscapes utilizes CSA certified components. Installation must conform to local codes, National Fuel Gas Code ANSI Z223.1/NFPA and/or National Fuel Gas Code.

Appliance should be serviced annually by a professional gas technician certified in the United States by the National Fireplace Institute (NFI). Any parts that require replacement should be replaced only by a certified service professional using parts recommended by manufacturer.

Do not alter any component or design of this unit as it may alter the operation.

This fire feature is not intended for cooking. Do not place anything on or in fire feature.

Never use fire feature in windy conditions.

Do not reach across or touch hot surfaces or open flames.

Do not ignite fire feature when media (rocks/glass) is wet. Doing so may cause media to crack and burst.

It is important to inspect your fire feature before every use. Make sure there are no obstructions or combustible materials on or near unit.

Wipe down surface of unit before every use and immediately clean any spills or messes on or around unit.

Consistently check hoses and fittings for cracks, abrasions and leaks (at least once a month).

Always keep children and animals away from fire feature.

Use a designated fire pit or barbecue cover when not in use.

Section 2

General Description

2.1 PRODUCT DIMENSIONS

Please confirm which unit you purchased before referring to dimensions below.

Please note, all Tavola units have a hollow base.

Tavola 1

Overall Length	56"
Overall Width	38"
Overall Height	16"
Pan Length	34"x16"
Pan Width	16"
Burner	24" H Burner

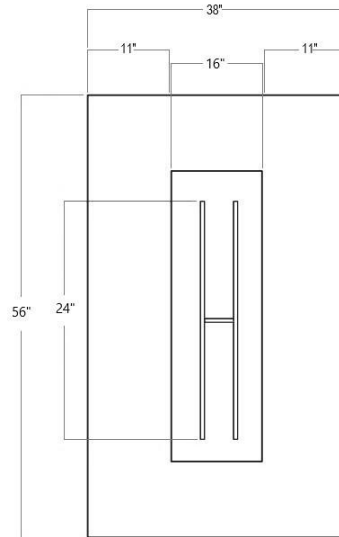
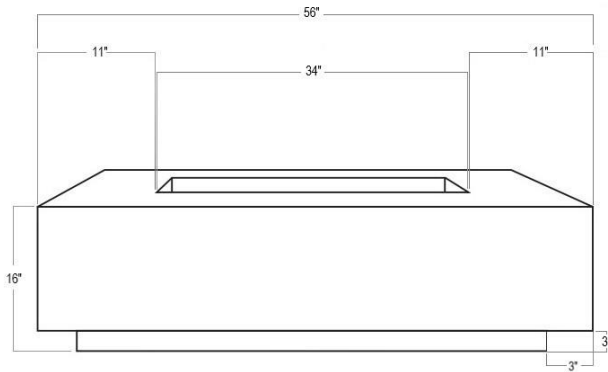


Tavola 2

Overall Length	36"
Overall Width	36"
Overall Height	16"
Pan Length	19.5"
Pan Width	15"
Burner	15" Cross Burner
Weight	240 lbs

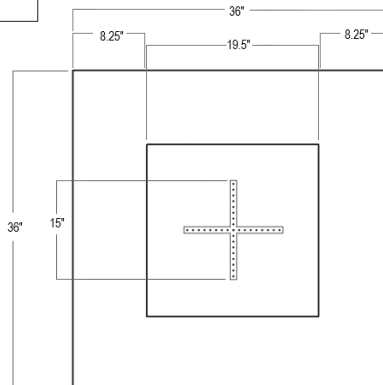
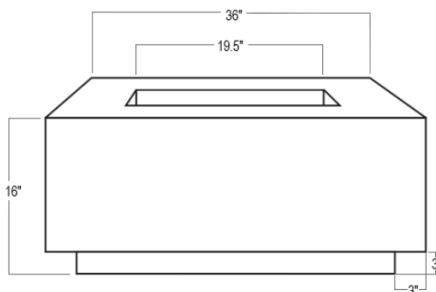


Tavola 3

Overall Length	48"
Overall Width	48"
Overall Height	16"
Pan Length	26.5"
Pan Width	26.5"
Burner	18" Cross Burner
Weight	450 lbs

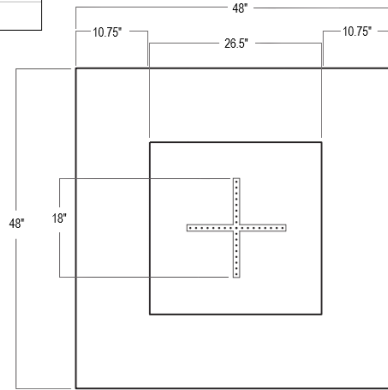
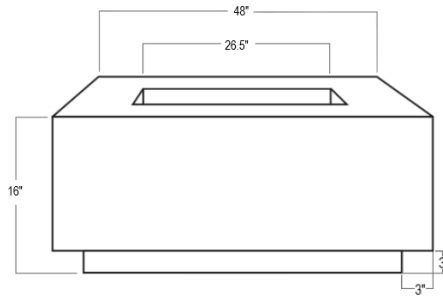


Tavola 4

Overall Length	66"
Overall Width	38"
Overall Height	16"
Pan Length	34"
Pan Width	16"
Burner	24" H Burner
Weight	500 lbs

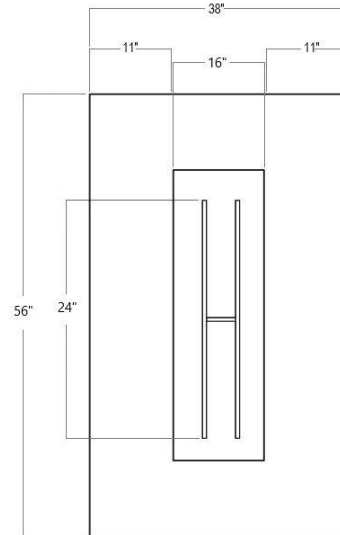
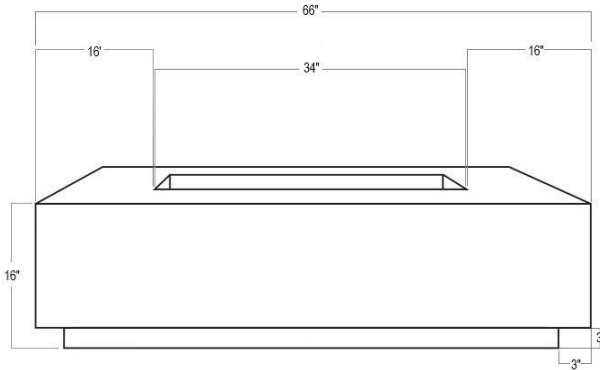


Tavola 5

Overall Length	80"
Overall Width	38"
Overall Height	16"
Pan Length	34"
Pan Width	16"
Burner	24" H Burner
Weight	650 lbs

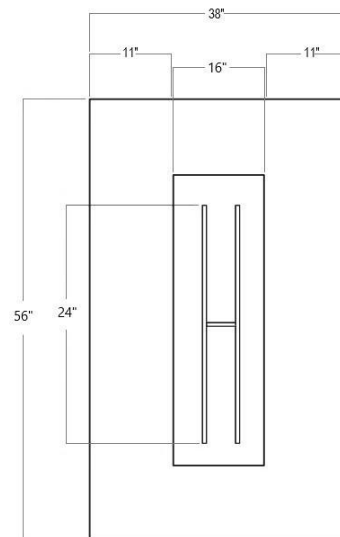
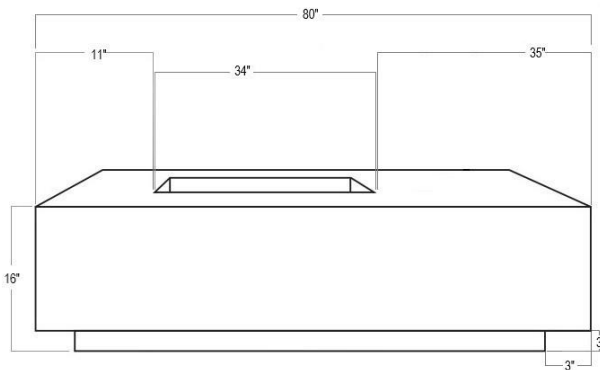


Tavola 6

Overall Length	90"
Overall Width	38"
Overall Height	16"
Pan Length	68"
Pan Width	16"
Burner	60" T Burner
Weight	750 lbs

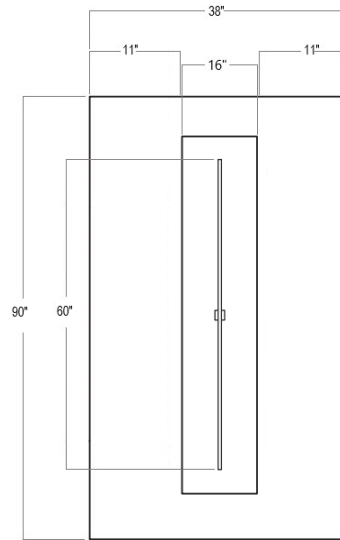
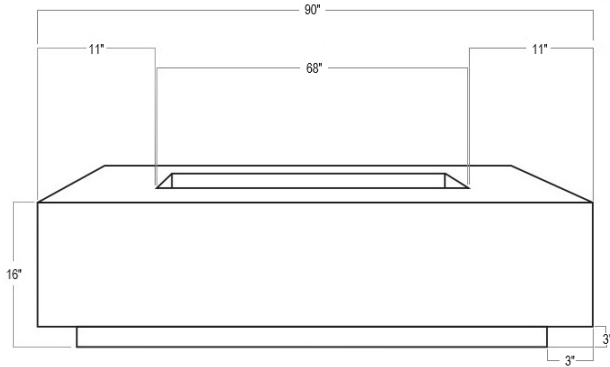


Tavola 7

Overall Length	60"
Overall Width	50"
Overall Height	16"
Pan Length	28"
Pan Width	16"
Burner	24" H Burner
Weight	500 lbs

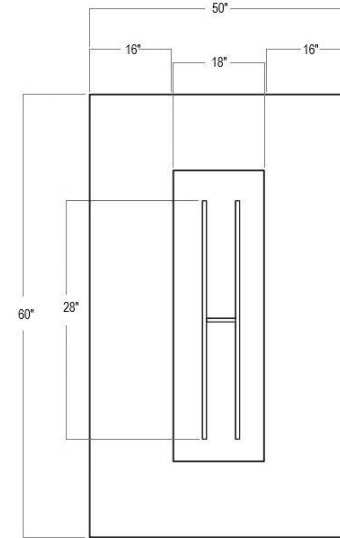
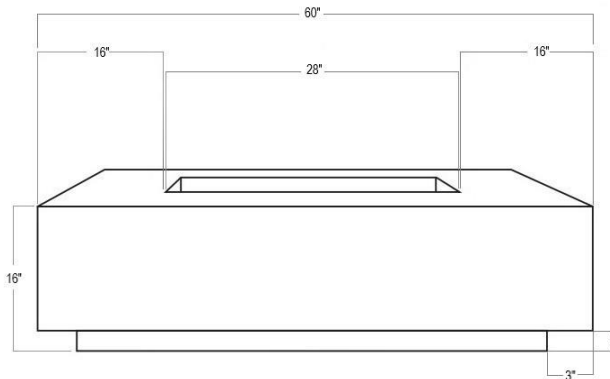


Tavola 8

Overall Length	60"
Overall Width	32"
Overall Height	16"
Pan Length	34"
Pan Width	16"
Burner	24" H Burner
Weight	320 lbs

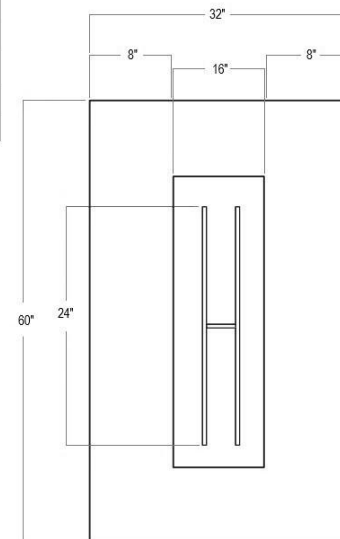
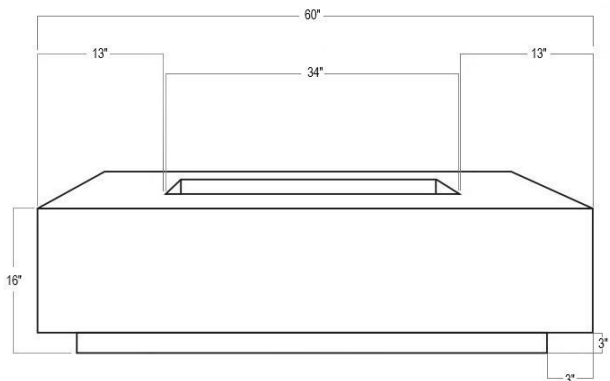


Tavola 42

Overall Length	42"
Overall Width	42"
Overall Height	16"
Pan Length	20"
Pan Width	20"
Burner	15" Cross Burner
Weight	360 lbs

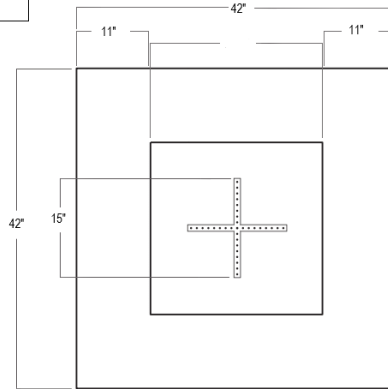
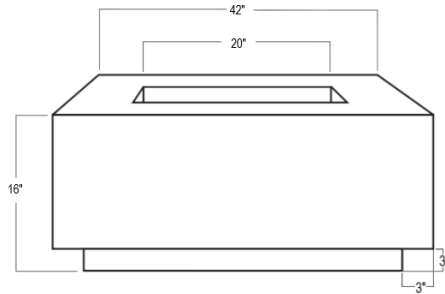


Tavola 72

Overall Length	72"
Overall Width	24"
Overall Height	16"
Pan Length	48"
Pan Width	12"
Burner	37" T Burner
Weight	400 lbs

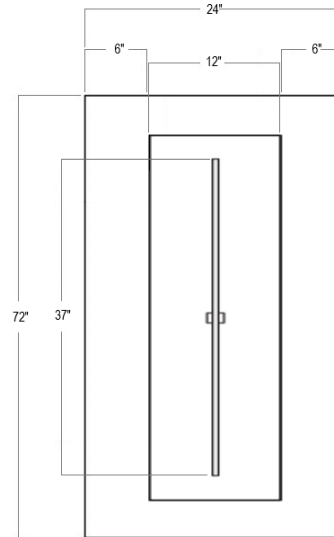
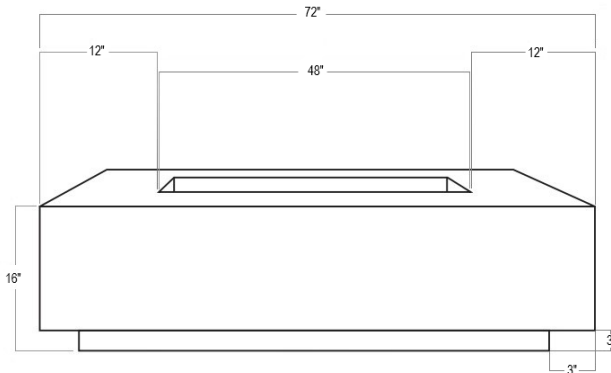
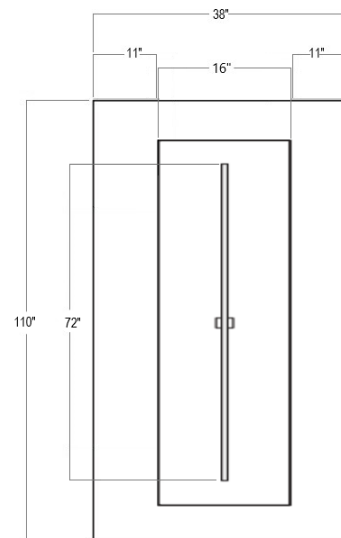
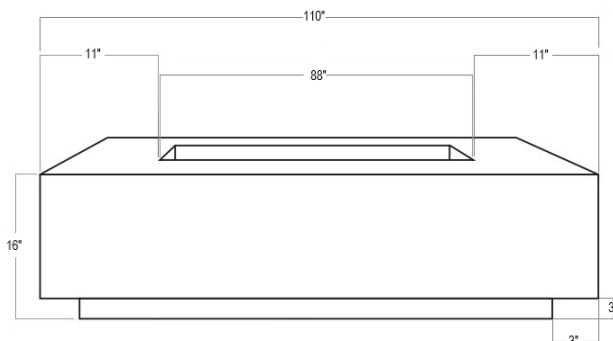


Tavola 110

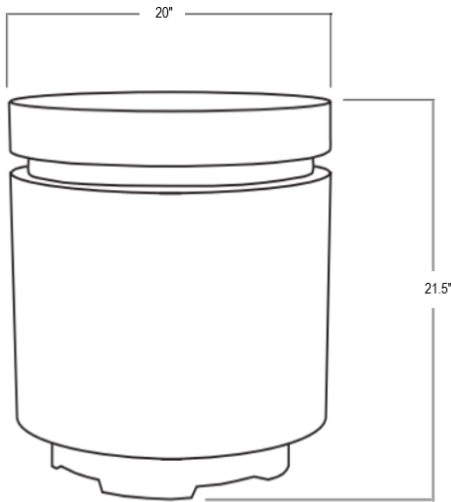
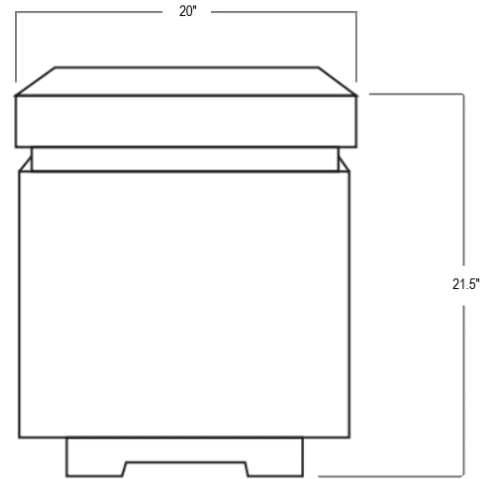
Overall Length	110"
Overall Width	38"
Overall Height	16"
Pan Length	88"
Pan Width	16"
Burner	72" T Burner
Weight	850 lbs



Propane Enclosures

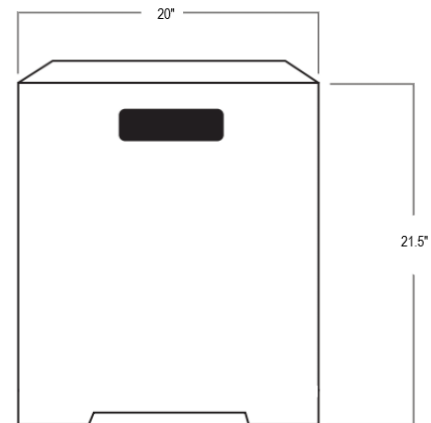
Tavola

Overall Length	20"
Overall Width	20"
Overall Height	21.5"
Weight	80 lbs



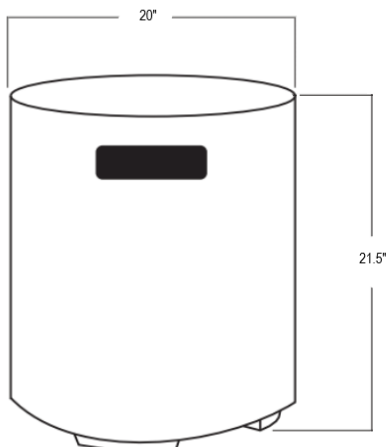
Moderno

Overall Length	20"
Overall Width	20"
Overall Height	21.5"
Weight	80 lbs



Sausalito

Overall Length	20"
Overall Width	20"
Overall Height	21.5"
Weight	80 lbs



Orinda

Overall Length	20"
Overall Width	20"
Overall Height	21.5"
Weight	80 lbs

2.2 GAS REQUIREMENTS

This fire feature must operate with a regulator set at the following requirements.

GAS TYPE:	Natural Gas	Propane Gas
GAS PRESS:	7 inches water column	11 inches water column +/- 1 inch
GAS INPUT FLOW:	65,000 BTU/HR	65,000 BTU/HR
CLEARANCE TO COMBUSTIBLE SURFACES:	SIDES: 4 FT TOP: 6 FT	

Note: Check with your gas supplier to verify gas flows and pressures available at the location of your installation. In many cases utility companies will install larger meters at no charge to accommodate larger flows.

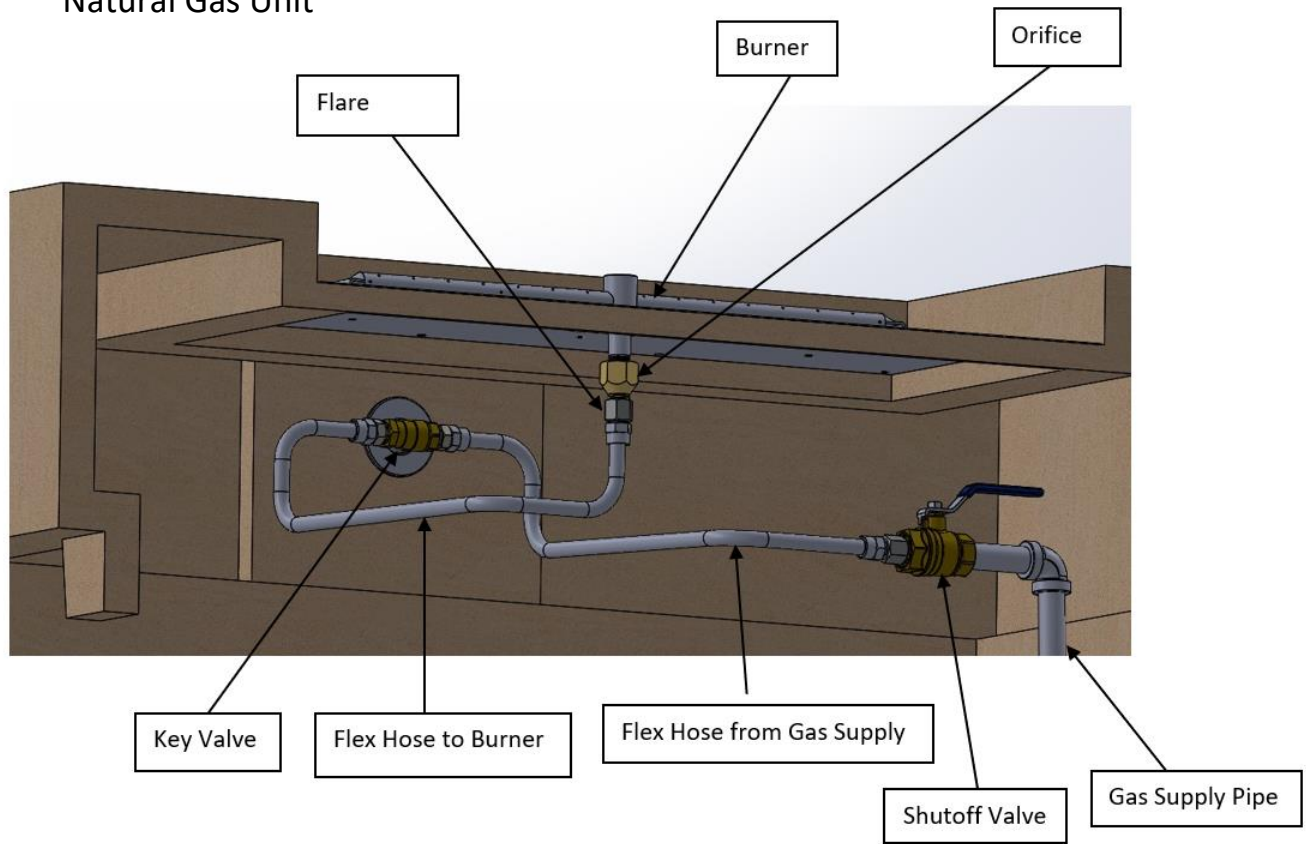
Fire features do not include propane cylinder; you will need to provide one. The liquid propane supply cylinder must be constructed and marked in accordance with the specifications for propane gas cylinders as required by the U.S. Department of Transportation (DOT).

2.3 PRODUCT CONTENTS

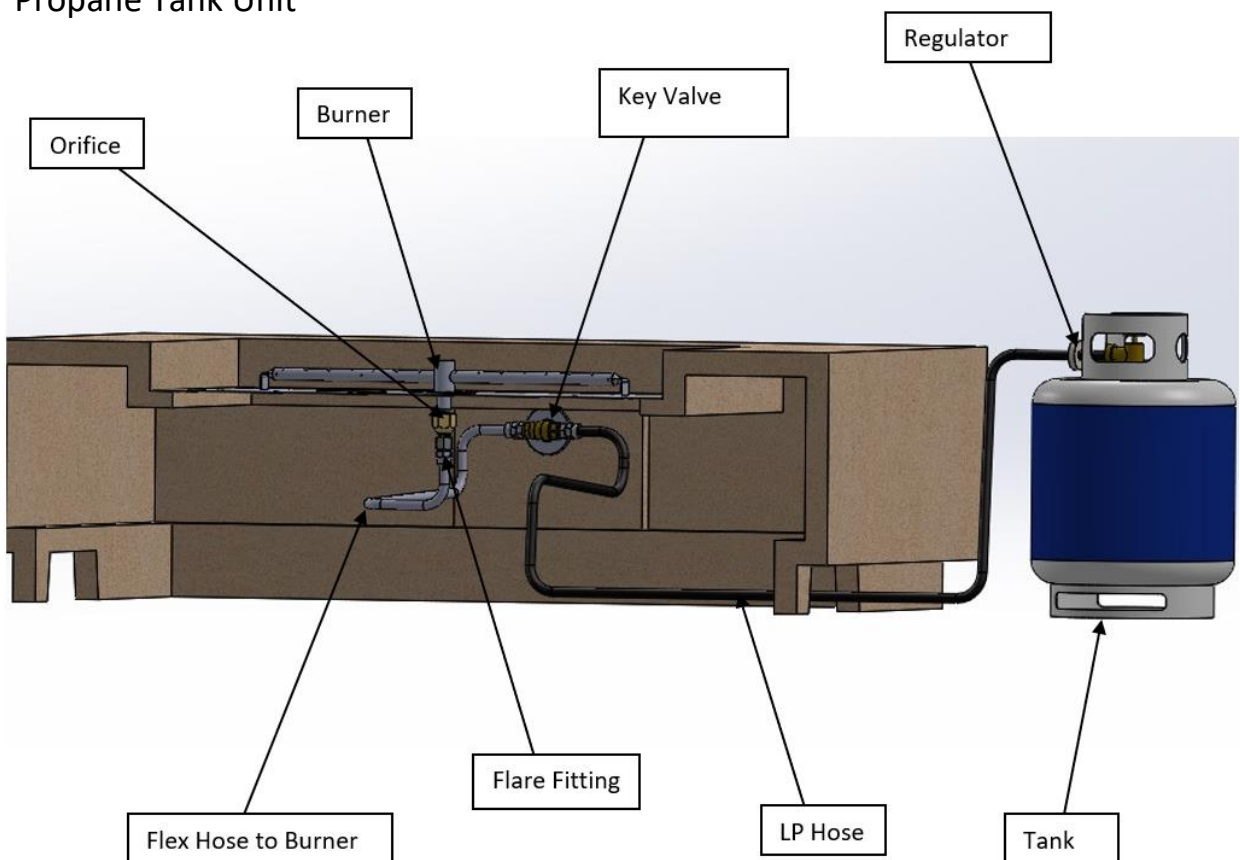
PART NAME	QTY
BURNER	1
BURNER PAN	1
1/2" FEMALE TO MALE ORIFICE	1
1/2" FEMALE TO FLARE MALE INLET PIPE	1
1/2" FLEX LINE HOSE	1
LP HOSE (FOR LP UNITS ONLY)	1
1/2" FLARE	2
1/2" Ball Valve	1
Chrome Plated Cover	1
1 1/4" x 3" Washer	1
Key	1
Media (Lava Rocks, Fire Glass etc.)	30lbs

2.4 INTERNAL VIEW OF COMPONENTS

Natural Gas Unit



Propane Tank Unit



SECTION 3

INSTALLATION DETAILS

3.1 RECEIVING CHECKLIST

Upon receiving fire feature from transportation carrier

- 1) Inspect the crate/pallet for damage
- 2) Check that PO/BOL paperwork matches paperwork on crate/pallet
- 3) Open top of crate/pallet and inspect unit for damage

*If damaged, please notify carrier immediately and sign "damaged" or do not receive

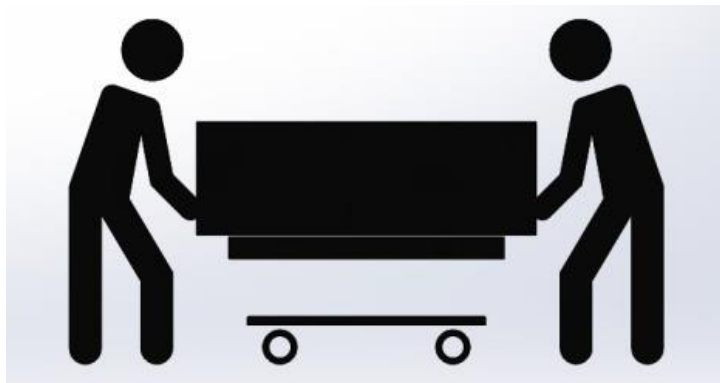
*If damaged, please notify Prism Hardscapes office immediately via email at warranty@prismhardscapes.com

3.2 HOW TO SAFELY MOVE YOUR FIRE TABLE

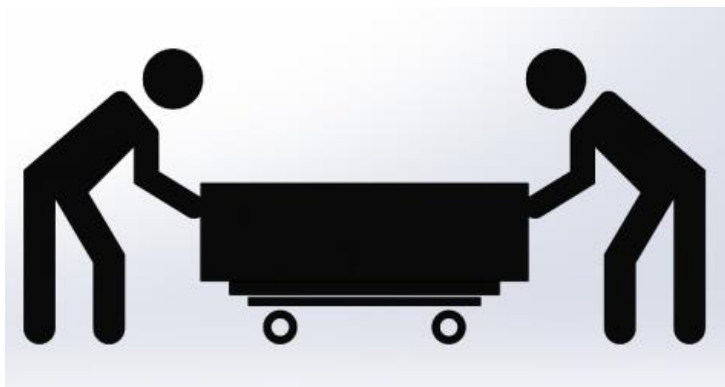
- NEVER ATTEMPT TO MOVE YOUR FIRE FEATURE BY YOURSELF
- WRAP FURNITURE BLANKET AROUND THE ENTIRE BODY OF THE UNIT TO PROTECT IT FROM DAMAGE WHILE MOVING
- PLACE A PIECE OF ¾" PLYWOOD BETWEEN THE MOVING DOLLY AND THE FIRE FEATURE FOR INCREASED STABILITY WHILE MOVING
- USE THE MOVING DOLLY TO NAVIGATE THE UNIT TO THE FINAL POSITION



DO NOT USE A WHEELBARROW OR OTHER UNBALANCED EQUIPMENT TO MOVE UNIT

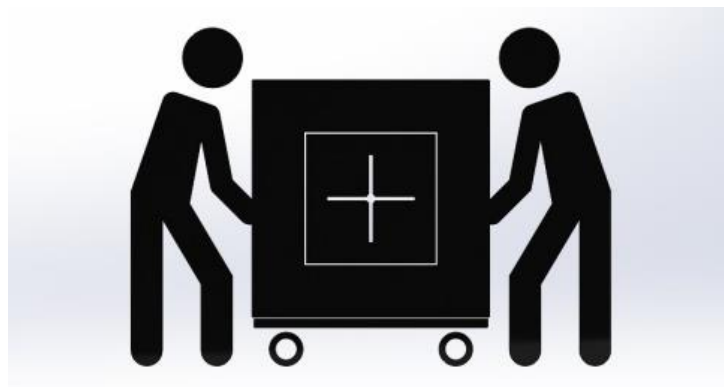


CAREFULLY REMOVE UNIT FROM CRATE AND PLACE ONTO
MOVING DOLLY

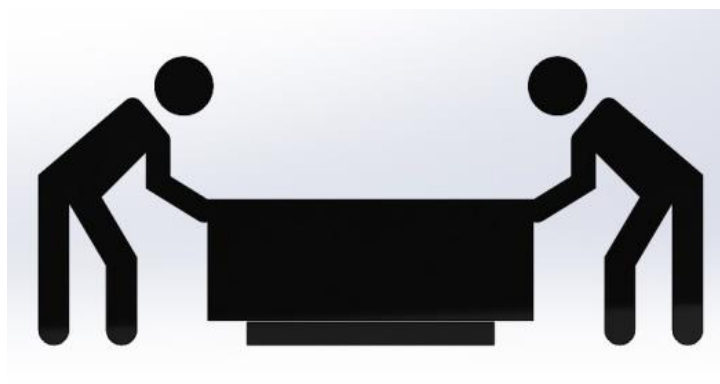


PLACE FIRE FEATURE WITH BASE DOWN
TO MOVE

OR



PLACE FIRE FEATURE ON SIDE TO MOVE
(ONLY FOR SQUARE OR RECTANGLE UNITS)



GENTLY PLACE FIRE FEATURE INTO FINAL POSITION

3.3 PREPARATION & SET-UP

Your fire feature will arrive with the burner and burner plate set inside the unit. You will need to slowly and carefully lift the burner and plate to access the gas inlet fitting. The fire table should be placed on a flat and level surface. Your burner hardware has been installed at the factory but will need to be checked for proper tightness after transportation.

Natural Gas Units: Prior to installation, a gas professional will need to run a gas line underground below the foundation where your fire feature will reside. In order to do this, your gas professional will first need to determine the best pipe size based on fuel input requirements (BTU's/HR), gas pressure and distance from gas pressure regulator to fire feature. Once you have created a trench underground for your pipe, the stubbed-out end should be fitted with a ½" NPT ball valve shutoff (rated for gas usage) and a flare fitting sized for the same size gas hose that is attached to the key valve and burner. Connect your flex hose to the stubbed-out gas pipe then connect the other end to the key valve in your fire feature. The arrow on the key valve should be pointing the direction of the gas flow (towards the burner plate on your fire feature). Tighten all fittings with a wrench, do not hand tighten! Test the gas lines for leaks and loss of pressure over a 24-hour period. When you are finished testing and have found no leaks, cover the pipes, level the ground and finish setting the foundation. Once everything is tightly sealed and connected, gently place your burner plate back down into your fire feature; your fire table is now ready to be positioned in its final location.

Propane Tank Units: Make sure the foundation is flat and level prior to placement. Units using liquid propane will come with a burner, orifice, flex hose and regulator that will attach to the propane tank. This gas hose will need to go from the tank to the burner. The hose should connect from the key valve within the unit, through a vent underneath and to the propane tank. Make sure all fittings are tightened properly with a wrench, do not hand tighten! An additional flex hose will be attached to the other end of the key valve to the flare fitting at the bottom of the burner. The arrow on the key valve should be pointing the direction of the gas flow (towards the burner plate on your fire feature).

SECTION 4

PRODUCT SETUP & OPERATION

4.1 BURNER TEST

For manual light units, you will need a fireplace lighter. Do not use a match or cigarette lighter as they are much shorter and will light the fuel too close to the burner which may result in serious injury. If you have a propane unit, turn the valve at the top of the propane tank counter clockwise until it can go no further, this is the fully open position for the tank and will deliver gas up to the key valve.

Ignite your fireplace lighter and hold the tip close to the burner. Insert fire table key and turn it to the ON position to start gas flow to the burner. If your burner does not light within 5 seconds, turn key to the OFF position and wait 10 seconds before trying again. If the burner still does not light, call your local gas technician to determine if there is a problem. Make sure the key valve is properly closed every time you leave your fire feature unattended and remove key.

Once burner lights, immediately remove your hand and allow burner to operate for a few minutes before turning it off. You are now ready to place the fire media onto the burner pan. Slowly pour media onto pan and spread evenly. Fire media should be sparsely spread out enough to cover pan. Only use the recommended amount of media in your unit, overfilling may result in smaller flame and gas buildup which may cause an explosion. Fresh air must be able to pass through the unit. Do not block or obstruct any vents on lower and upper parts of the fire feature. These are designed to ensure proper combustion and ensure no buildup of residual gases within the unit.

⚠ CAUTION: Open flames will ignite combustible materials such as clothing, fabric, hair, etc. which may result in serious injury, property damage and/or death. Be cautious of the open flames while burner is lit.

4.3 OPERATION

With your fireplace lighter ready and in position, insert key and turn to ON position to ignite burner. You may adjust the flame slightly by turning the key slowly.

After use, turn key to OFF position and remove; keep key in a safe and secure location away from children.

4.4 ADJUSTMENT

Allow the fire feature and media to cool down before moving or adjusting. This may take from ½ to 1 hour depending on the size of the fire feature. Any shifting of fire media should be done after the entire unit has cooled.

SECTION 5

MAINTENANCE

BURNER WILL NOT LIGHT

Possible Cause	How to Fix
Air in Gas Line	If newly installed, it may take several attempts to purge air from line.
Debris in Gas Line	Confirm gas line is clear and free of obstruction (insulation, dirt, excess pipe sealer, water etc). Clearing line of debris may require help from a professional.
Improper Gas Pressure	Have a professional confirm gas pressure.

BURNER WILL NOT STAY LIT

Possible Cause	How to Fix
Improper Gas Pressure	Have a gas professional confirm gas pressure.
Improperly Applied Fire Media	Media may be too dense; media will need to be reduced and evenly spread.

NOISE

Note: Only use gas hose supplied by the manufacturer as they have been tested for noise.

Possible Cause	How to Fix
Gas Hose Restrictions	Remove any tight bends or kinks in gas supply hose.
Excessive Gas Flow	Check gas regulator and reset if not within factory recommendations (see Section 2.2)

UNIT IS SMOKING

Possible Cause	How to Fix
Poor Fuel Quality	Contact local gas company.
Excessive Flame Blockage	Separate and spread media (rocks or glass) evenly to allow flames to spread and pass through media more evenly.
Improper Air/Fuel Mixture	Remove any foreign items or other combustible materials from unit & check for proper orifice sizing.

BURNER FLAME IS TOO HIGH OR TOO LOW

Possible Cause	How to Fix
Incorrect Gas Supply Pressure	Have a gas professional confirm gas pressure.
Blocked burner ports or burner orifice	Clear burner ports and orifice of foreign particles or debris and wipe clean.
Improper Orifice Size	Verify burner orifice is the proper size for the fuel being used. Consult with factory by emailing tech-support@prismhardscapes.com

UNIT PRODUCING UNWANTED ODORS

Possible Cause	How to Fix
Gas Leak	DO NOT OPERATE - check for any gas leaks at all connections and fittings by using soapy water on any fitting or gas connection and checking for bubbles. Turn off gas supply and call qualified gas professional to check and replace components causing leak

SECTION 6

WARRANTY

Prism Hardscapes LLC offers a 2-year limited warranty against manufacturer defects. Prism Hardscapes will repair or replace product which has been proven to be defective in workmanship and/or material. If unit is confirmed defective and is not repairable by a qualified Prism Hardscapes representative, the unit will be replaced FOB PRISM HARDSCAPES facility. The buyer must provide proof of purchase along with date of delivery to the end user and arrange shipping associated with the replacement of the unit. Prism Hardscapes will not be responsible for any defects resulting from misuse, user error, installation error, abuse, repair or alteration. The use of wood or fuels other than those specified for use with this unit by Prism Hardscapes will void warranty immediately. Under no circumstances will Prism Hardscapes be liable for incidentals or consequential damage resulting from defective products. This warranty is Prism Hardscapes' sole warranty, all others expressed or implied whether of merchantability, fitness of purpose or otherwise, are therefore disclaimed by Prism Hardscapes. Prism Hardscapes is not responsible for any injury or mishap related to misuse, abuse, or lack of judgment in choosing fire display locations.

For inquiries and claims, please contact the warranty department at

warranty@prismhardscapes.com

We create visionary designs using handcrafted processes

Prism Hardscapes provides dependable, personalized products & services that capture your outdoor living area vision down to the last detail.

Before you break ground on a new project, you first need to consider your design preferences. This means learning how to select the perfect colors, shapes and patterns to create an outdoor living space that not only fits your yard, but your lifestyle.

Let Prism Hardscapes help you get there.

