

Assembly Guide

Rectangular End Table



Rectangular End Table

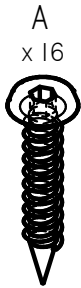


Rectangular End Table
Counter Height



Rectangular End Table
Bar Height

Hardware Included



1/4" x 1 1/2" Lag



When tightening screws or lags, **DO NOT OVERTIGHTEN** to avoid stripping their hold on the material!

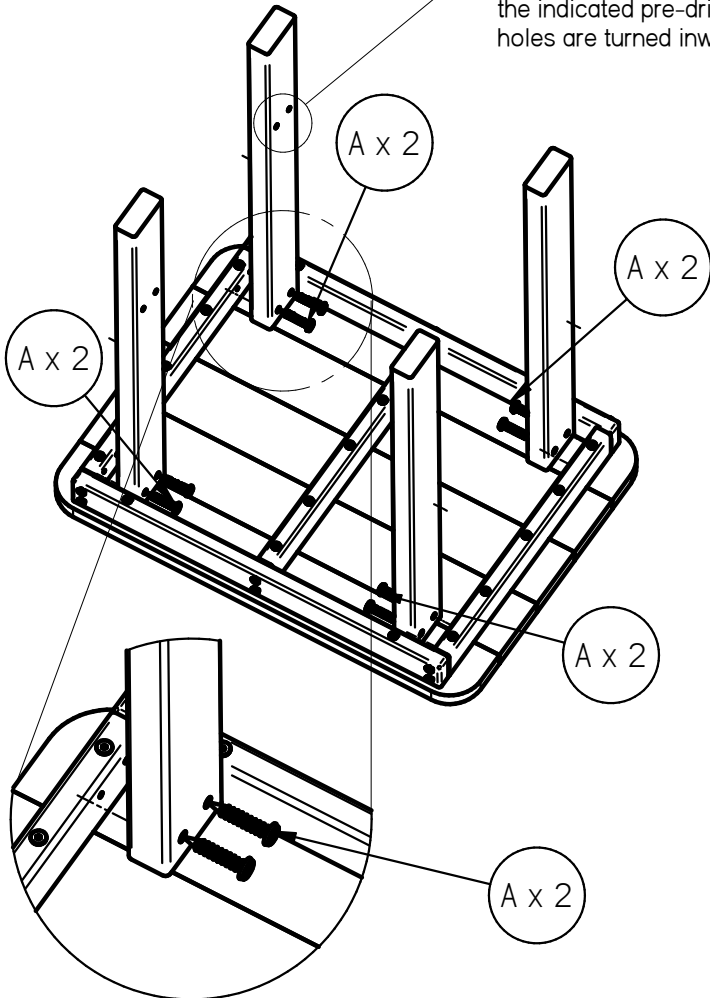
Tools Needed



Allen Wrench (included)

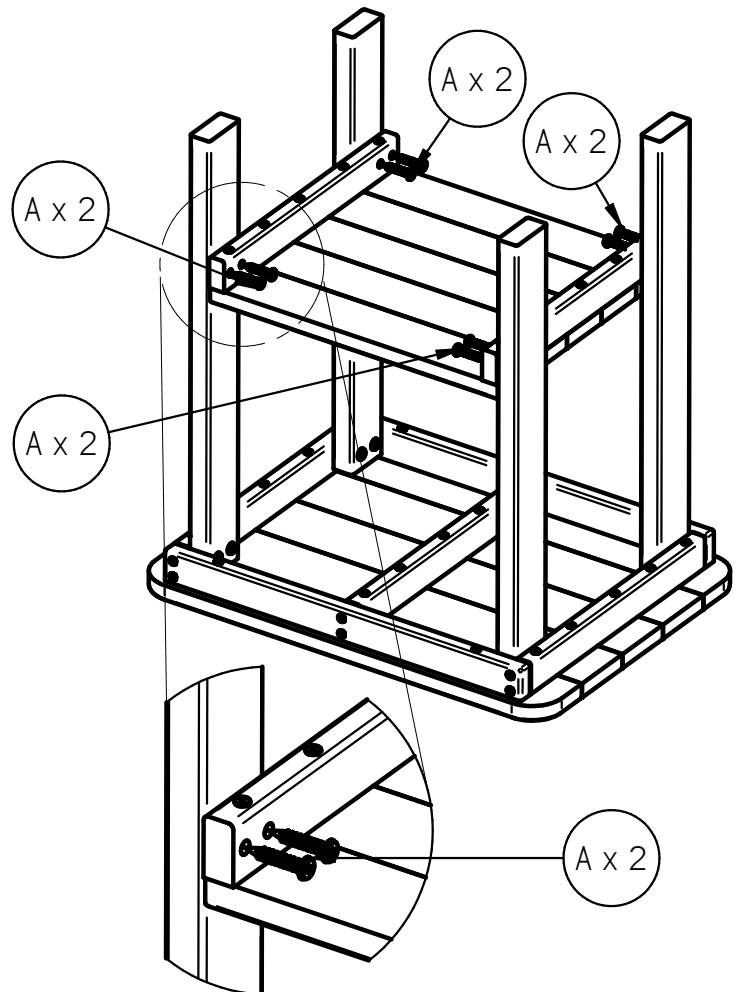
Step 1

Note: Please ensure that the indicated pre-drilled holes are turned inward



Top & Leg Assembly Detail

Step 2



Shelf Attachment Detail