



PRISM HARDSCAPES
Outdoor Living Products

Tavola Series

Fire Table



1

Installation, Operation & Maint



WARNING: THIS APPLIANCE IS FOR OUTDOOR USE ONLY!

This manual should remain with the parties responsible for operation.

Table of Contents

Section 1: Safety Instructions

Section 2: General Description

2.1 Product Dimensions

2.2 Gas Requirements

2.3 Product Contents

2.4 Internal View of Components

Section 3: Installation Details

3.1 Receiving Checklist

3.2 How to Safely Move Your Table

3.3 Preparation & Installation

Section 4: Product Setup & Operation

4.1 Burner Test

4.2 Operation

4.3 Adjustment

Section 5: Maintenance

SAVE THESE INSTRUCTIONS. DO NOT DISCARD.

Section 1

Safety

Instructions

THIS APPLIANCE IS FOR USE WITH PROPANE OR NATURAL GAS ONLY. AT NO TIME ARE SOLID OR ALTERNATIVE FUELS TO BE USED WITH THIS APPLIANCE.

Prism Hardscapes strongly recommends the installation of Carbon Monoxide detectors within reach of this appliance and in any adjacent occupied spaces.

Section 2

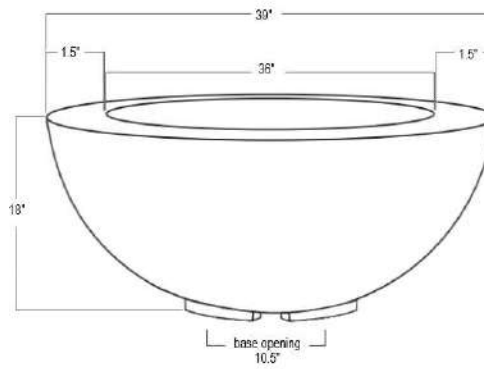
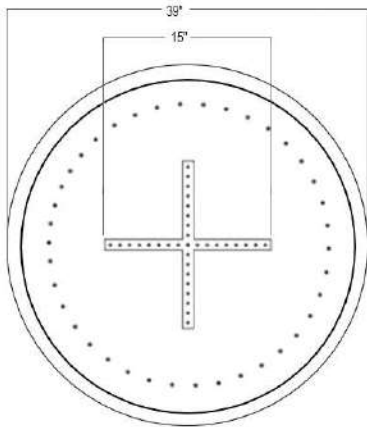
General

Description

2.1 PRODUCT DIMENSIONS

Moderno 1

Overall Diameter	39"
Overall Height	18"
Pan Diameter	36"
Burner	15" Cross Burner
Weight	210lbs
Base Opening	10.5"

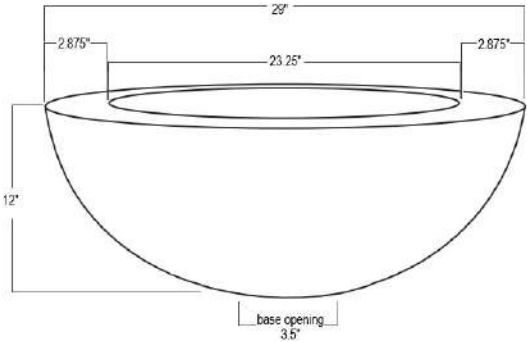
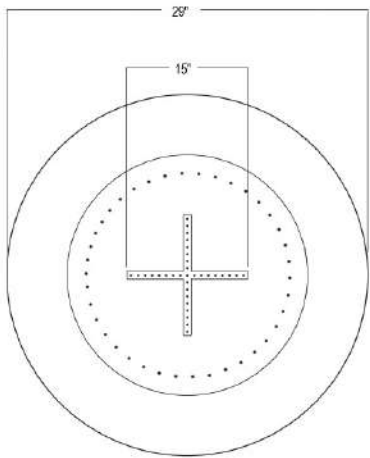


Please

confirm which unit you purchased before referring to dimensions below.

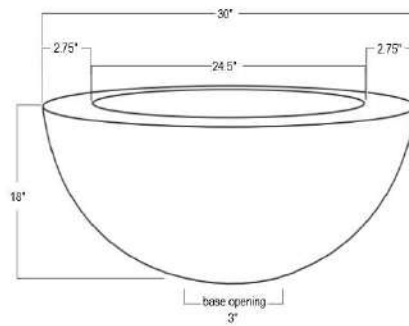
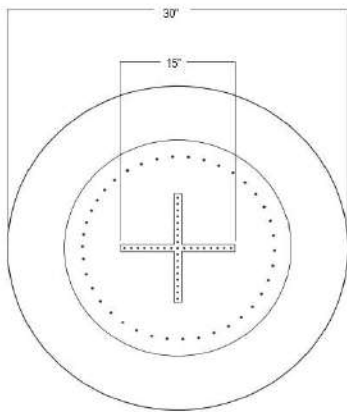
Moderno 2

Overall Diameter	29"
Overall Height	12"
Pan Diameter	23.25"
Burner	15" Cross Burner
Weight	90lbs
Base Opening	3.5"



Moderno 3

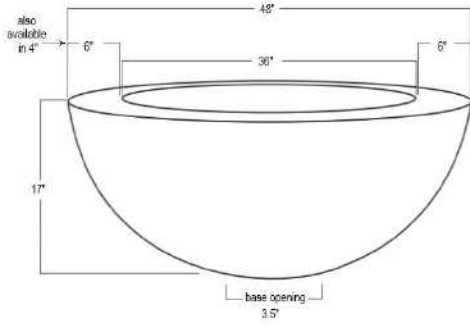
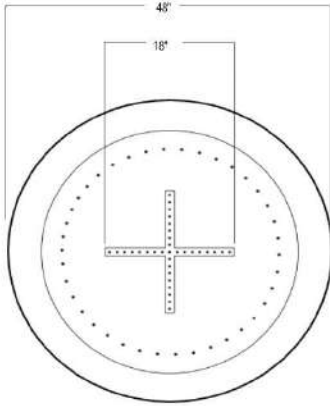
Overall Diameter	30"
Overall Height	18"
Pan Diameter	24.5"
Burner	15" Cross Burner
Weight	125lbs
Base Opening	3"



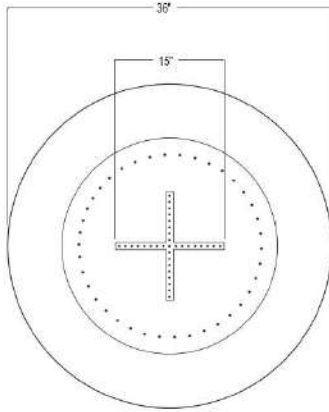
Moderno

4

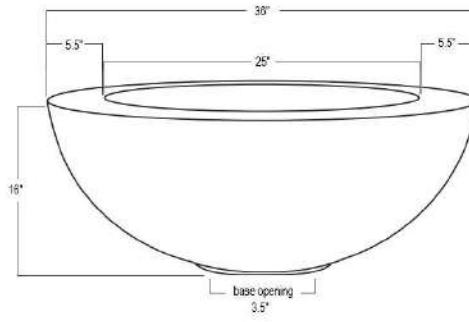
Overall Diameter	48"
Overall Height	17"
Pan Diameter	36"
Burner	18" Cross Burner
Weight	400lbs
Base Opening	3.5"



Moderno 5

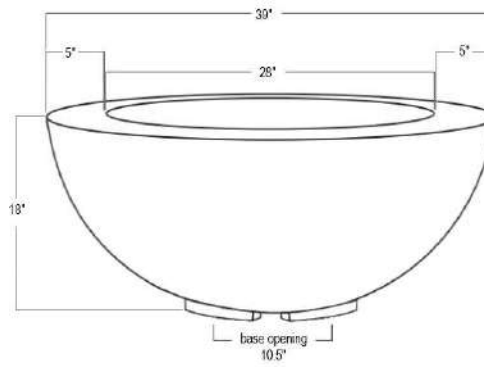
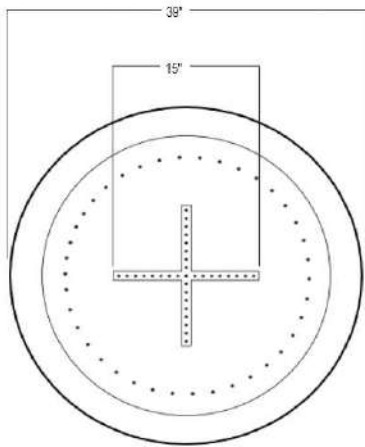


Overall Diameter	36"
Overall Height	16"
Pan Diameter	25"
Burner	25" Cross Burner
Weight	250lbs
Base Opening	3.5"



Moderno 8

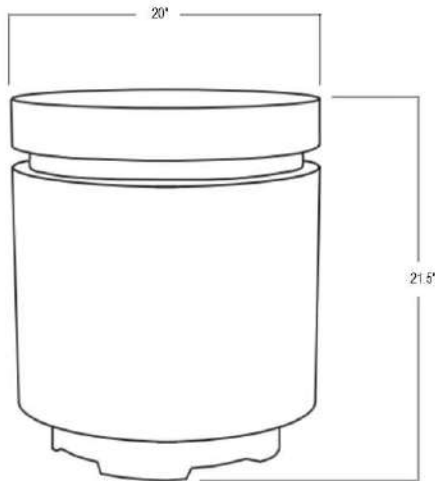
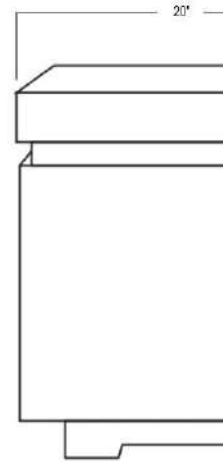
Overall Diameter	34"
Overall Height	18"
Pan Diameter	28"
Burner	15" Cross Burner
Weight	285lbs
Base Opening	10.5"



Propane Enclosures

Tavola

Overall Length	20"
Overall Width	20"
Overall Height	21.5"
Weight	80 lbs



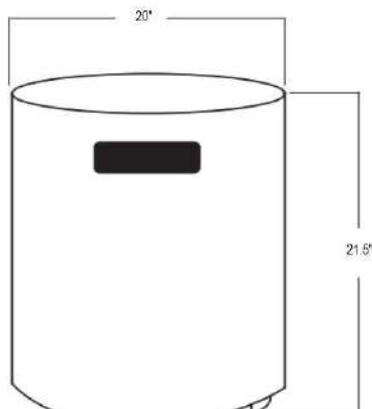
Moderno

Overall Length	20"
Overall Width	20"
Overall Height	21.5"
Weight	80 lbs



Sausalito

Overall Length	20"
Overall Width	20"
Overall Height	21.5"
Weight	80 lbs



Orinda

Overall Length	20"
Overall Width	20"
Overall Height	21.5"
Weight	80 lbs

13

2.2 GAS REQUIREMENTS

This fire feature must operate with a regulator set at the following requirements.

GAS TYPE: Gas	Natural Gas	Propane
GAS PRESS: +/- 1 inch	7 inches water column	11 inches water column
GAS INPUT FLOW: BTU/HR	65,000 BTU/HR	65,000
CLEARANCE TO COMBUSTIBLE SURFACES:	SIDES: 4 FT	TOP: 6 FT

Note: Check with your gas supplier to verify gas flows and pressures available at the location of your installation. In many cases utility companies will install larger meters at no charge to accommodate larger flows.

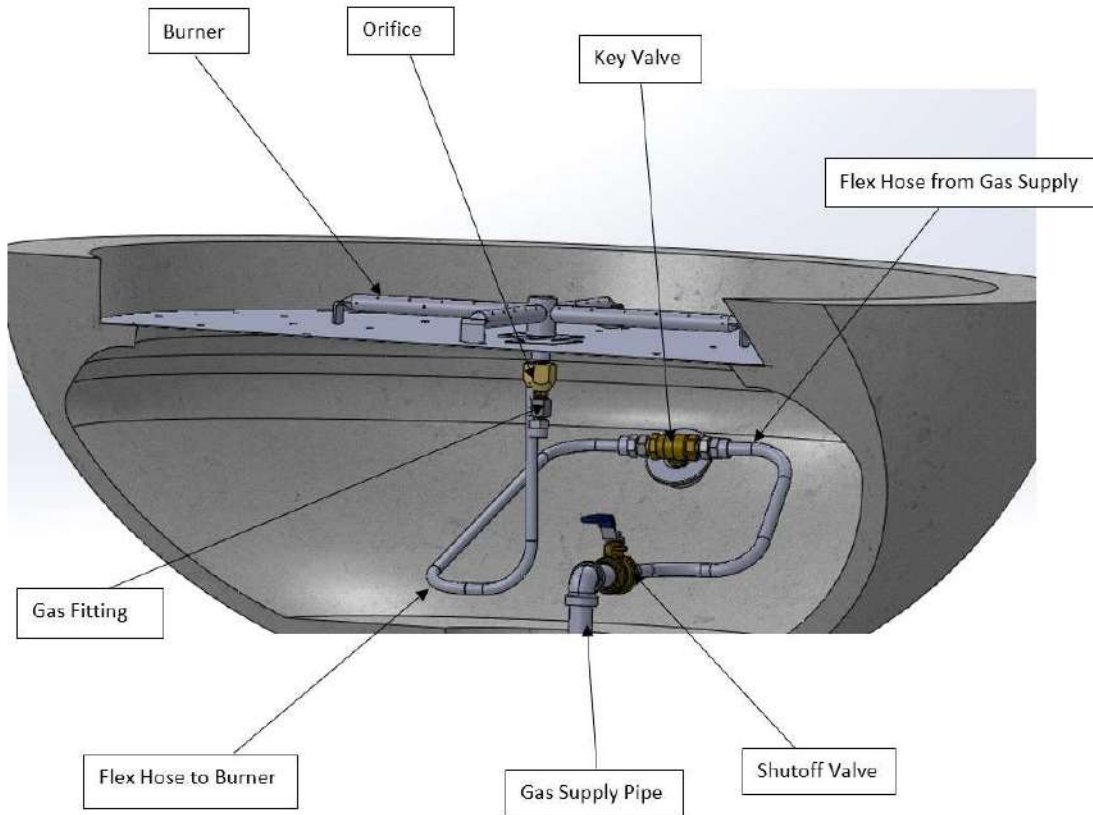
Fire features do not include propane cylinder; you will need to provide one. The liquid propane supply cylinder must be constructed and marked in accordance with the specifications for propane gas cylinders as required by the U.S. Department of Transportation (DOT).

2.3 PRODUCT CONTENTS

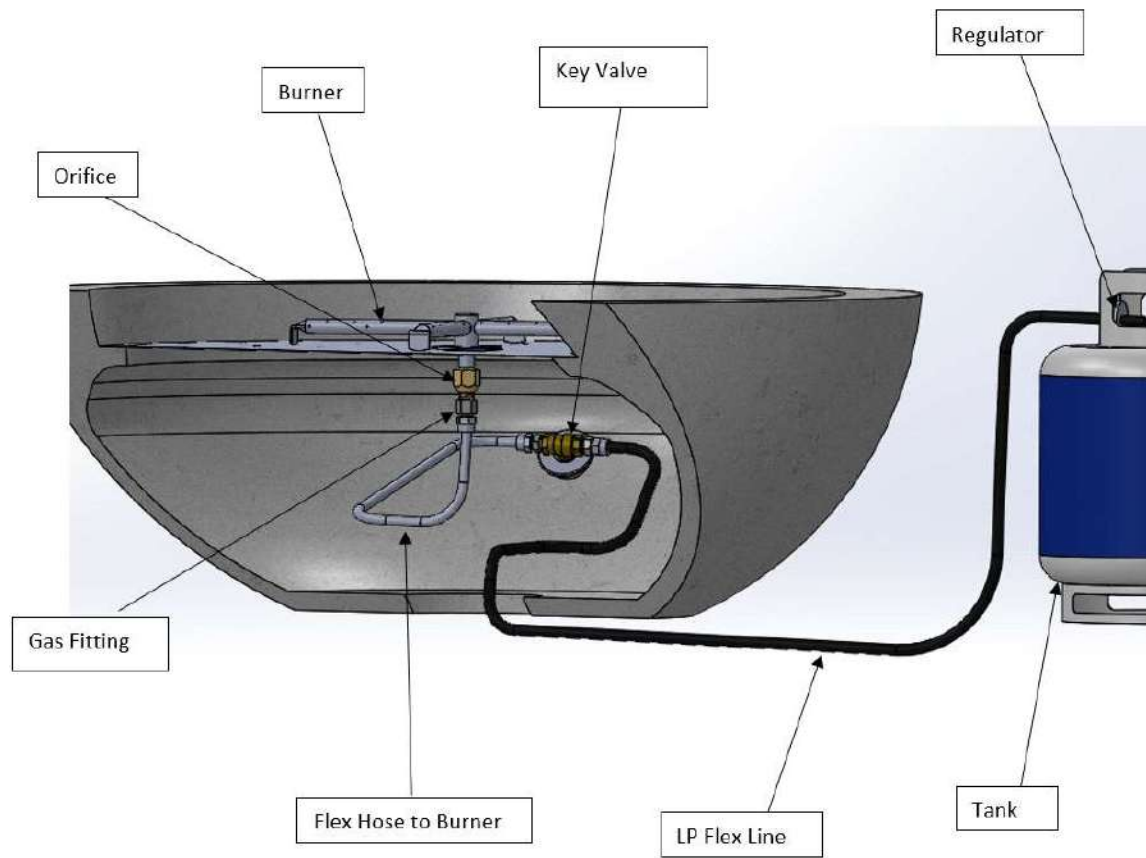
PART NAME	QTY
BURNER	1
BURNER PAN	1
1/2" FEMALE TO MALE ORIFICE	1
1/2" FEMALE TO FLARE MALE INLET PIPE	1
1/2" FLEX LINE HOSE	1

LP HOSE (FOR LP UNITS ONLY)	1
1/2" FLARE	2
1/2" Ball Valve	1
Chrome Plated Cover	1
1 1/4" x 3" Washer	1
Key	1
Media (Lava Rocks, Fire Glass etc.)	30lbs

2.4 INTERNAL VIEW OF COMPONENTS



Natural Gas Unit



Propane Tank Unit

SECTION 3

INSTALLATION

DETAILS

3.1 RECEIVING CHECKLIST

Upon receiving fire feature from transportation carrier

- Inspect the crate/pallet for damage
- Check that PO/BOL paperwork matches paperwork on crate/pallet
- Open top of crate/pallet and inspect unit for damage

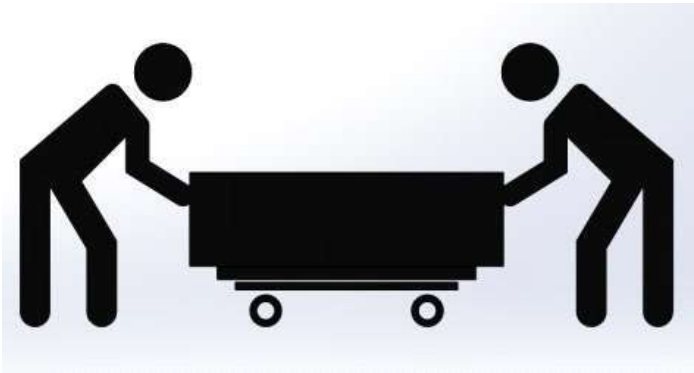
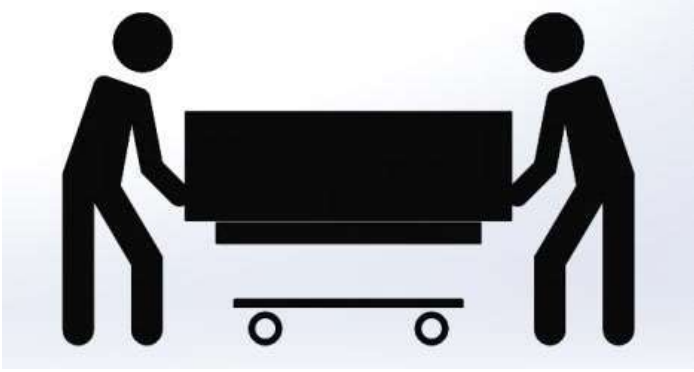
*If damaged, please notify carrier immediately and sign “damaged” or do not receive

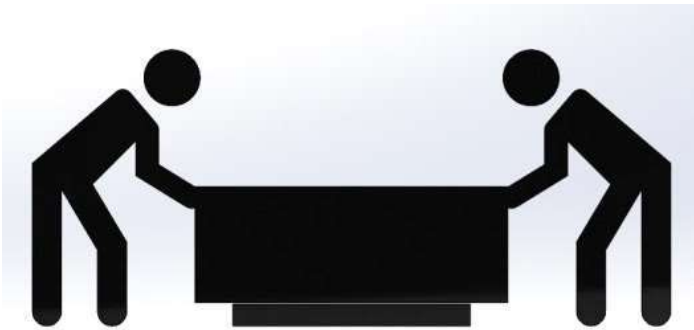
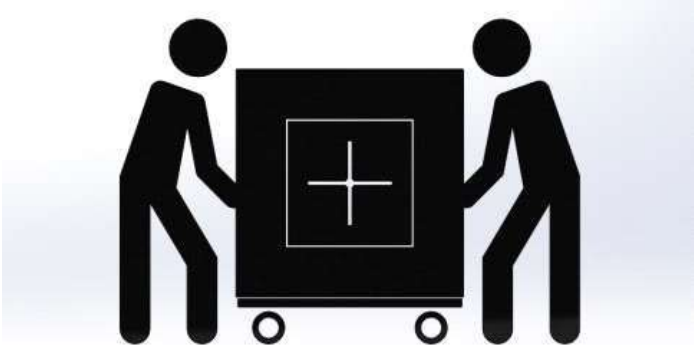
*If damaged, please notify Prism Hardscapes office immediately via email at warranty@prismhardscapes.com

3.2 HOW TO SAFELY MOVE YOUR FIRE TABLE

- NEVER ATTEMPT TO MOVE YOUR FIRE FEATURE BY YOURSELF
- WRAP FURNITURE BLANKET AROUND THE ENTIRE BODY OF THE UNIT TO PROTECT IT FROM DAMAGE WHILE MOVING
- PLACE A PIECE OF ¾” PLYWOOD BETWEEN THE MOVING DOLLY AND THE FIRE FEATURE FOR INCREASED STABILITY WHILE MOVING
- USE THE MOVING DOLLY TO NAVIGATE THE UNIT TO THE FINAL POSITION







3.3 PREPARATION & SET-UP

Your fire feature will arrive with the burner and burner plate set inside the unit. You will need to slowly and carefully lift the burner and plate to access the gas inlet fitting. The fire table should be placed on a flat and level surface. Your burner hardware has been installed at the factory but will need to be checked for proper tightness after transportation.

Natural Gas Units: Prior to installation, a gas professional will need to run a gas line underground below the foundation where your fire feature will reside. In order to do this, your gas professional will first need to determine the best pipe size based on fuel input requirements (BTU's/HR), gas pressure and distance from gas pressure regulator to fire feature. Once you have created a trench underground for your pipe, the stubbed-out end should be fitted with a ½" NPT ball valve shutoff (rated for gas usage) and a flare fitting sized for the same size gas hose that is attached to the key valve and burner. Connect your flex hose to the stubbed-out gas pipe then connect the other end to the key valve in your fire feature. The arrow on the key valve should be pointing the direction of the gas flow (towards the burner plate on your fire feature). Tighten all fittings with a wrench, do not hand tighten! Test the gas lines for leaks and loss of pressure over a 24-hour period. When you are finished testing and have found no leaks, cover the pipes, level the ground and finish setting the foundation. Once everything is tightly sealed and connected, gently place your burner plate back down into your fire feature; your fire table is now ready to be positioned in its final location.

Propane Tank Units: Make sure the foundation is flat and level prior to placement. Units using liquid propane will come with a burner, orifice, flex hose and regulator that will attach to the propane tank. This gas hose will need to go from the tank to the burner. The hose should connect from the key valve within the unit, through a vent underneath and to the propane tank. Make sure all fittings are tightened properly with

in your unit, overfilling may result in smaller flame and gas buildup which may cause an explosion. Fresh air must be able to pass through the unit. Do not block or obstruct any vents on lower and upper parts of the fire feature. These are designed to ensure proper combustion and ensure no buildup of residual gases within the unit.

⚠ CAUTION: Open flames will ignite combustible materials such as clothing, fabric, hair, etc. which may result in serious injury, property damage and/or death. Be cautious of the open flames while burner is lit.

4.3 OPERATION

With your fireplace lighter ready and in position, insert key and turn to ON position to ignite burner. You may adjust the flame slightly by turning the key slowly.

After use, turn key to OFF position and remove; keep key in a safe and secure location away from children.

4.4 ADJUSTMENT

Allow the fire feature and media to cool down before moving or adjusting. This may take from ½ to 1 hour depending on the size of the fire feature. Any shifting of fire media should be done after the entire unit has cooled.

SECTION 5

MAINTENANCE

BURNER WILL NOT LIGHT

Possible Cause	How to Fix
Air in Gas Line	If newly installed, it may take several attempts to purge air from line. Confirm gas line is clear and free of obstruction (insulation, dirt, excess pipe sealer, water etc). Clearing line of debris may require help from a professional.
Debris in Gas Line	
Improper Gas Pressure	
Have a has professional confirm has pressure.	

BURNER WILL NOT STAY LIT

Possible Cause	How to Fix
----------------	------------

Improper Gas Pressure	Have a gas professional confirm gas pressure.
Improperly Applied Fire Media	Media may be too dense; media will need to be reduced and evenly spread.

NOISE

Note: Only use gas hose supplied by the manufacturer as they have been tested for noise.

Possible Cause	How to Fix
Gas Hose Restrictions	Remove any tight bends or kinks in gas supply hose.
Excessive Gas Flow	Check gas regulator and reset if not within factory recommendations (see Section 2.2)

UNIT IS SMOKING

Possible Cause	How to Fix
Poor Fuel Quality	Contact local gas company.
Excessive Flame Blockage	Separate and spread media (rocks or glass) evenly to allow flames to spread and pass through media more evenly.
Improper Air/Fuel Mixture	Remove any foreign items or other combustible materials from unit & check for proper orifice sizing.

BURNER FLAME IS TOO HIGH OR TOO LOW

Possible Cause	How to Fix
Incorrect Gas Supply Pressure	Have a gas professional confirm gas pressure.
Blocked burner ports or burner orifice	Clear burner ports and orifice of foreign particles or debris and wipe clean.
Improper Orifice Size	Verify burner orifice is the proper size for the fuel being used. Consult with factory by emailing tech-support@prismhardscapes.com

UNIT PRODUCING UNWANTED ODORS

Possible Cause	How to Fix
Gas Leak	DO NOT OPERATE - check for any gas leaks at all connections and fittings by using soapy water on any fitting or gas connection and checking for bubbles. Turn off gas supply and call qualified gas professional to check and replace components causing leak

SECTION 6

WARRANTY

Prism Hardscapes LLC offers a 2-year limited warranty against

manufacturer defects. Prism Hardscapes will repair or replace product which has been proven to be defective in workmanship and/or material. If unit is confirmed defective and is not repairable by a qualified Prism Hardscapes representative, the unit will be replaced FOB PRISM HARDSCAPES facility. The buyer must provide proof of purchase along with date of delivery to the end user and arrange shipping associated with the replacement of the unit. Prism Hardscapes will not be responsible for any defects resulting from misuse, user error, installation error, abuse, repair or alteration. The use of wood or fuels other than those specified for use with this unit by Prism Hardscapes will void warranty immediately. Under no circumstances will Prism Hardscapes be liable for incidentals or consequential damage resulting from defective products. This warranty is Prism Hardscapes' sole warranty, all others expressed or implied whether of merchantability, fitness of purpose or otherwise, are therefore disclaimed by Prism Hardscapes. Prism Hardscapes is not responsible for any injury or mishap related to misuse, abuse, or lack of judgment in choosing fire display locations.

For inquiries and claims, please contact the warranty department at

warranty@prismhardscapes.com



We create visionary designs using handcrafted processes

Prism Hardscapes provides dependable, personalized products & services that capture your outdoor living area vision down to the last detail.

Before you break ground on a new project, you first need to consider your design preferences. This means learning how to select the perfect colors, shapes and patterns to create an outdoor living space that not only fits your yard, but your lifestyle. Let Prism Hardscapes help you get there.

