

SKU # E50498032

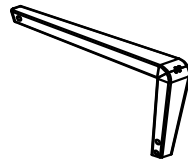


OCEANS DINING ARMCHAIR

Assembly Instructions



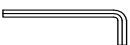



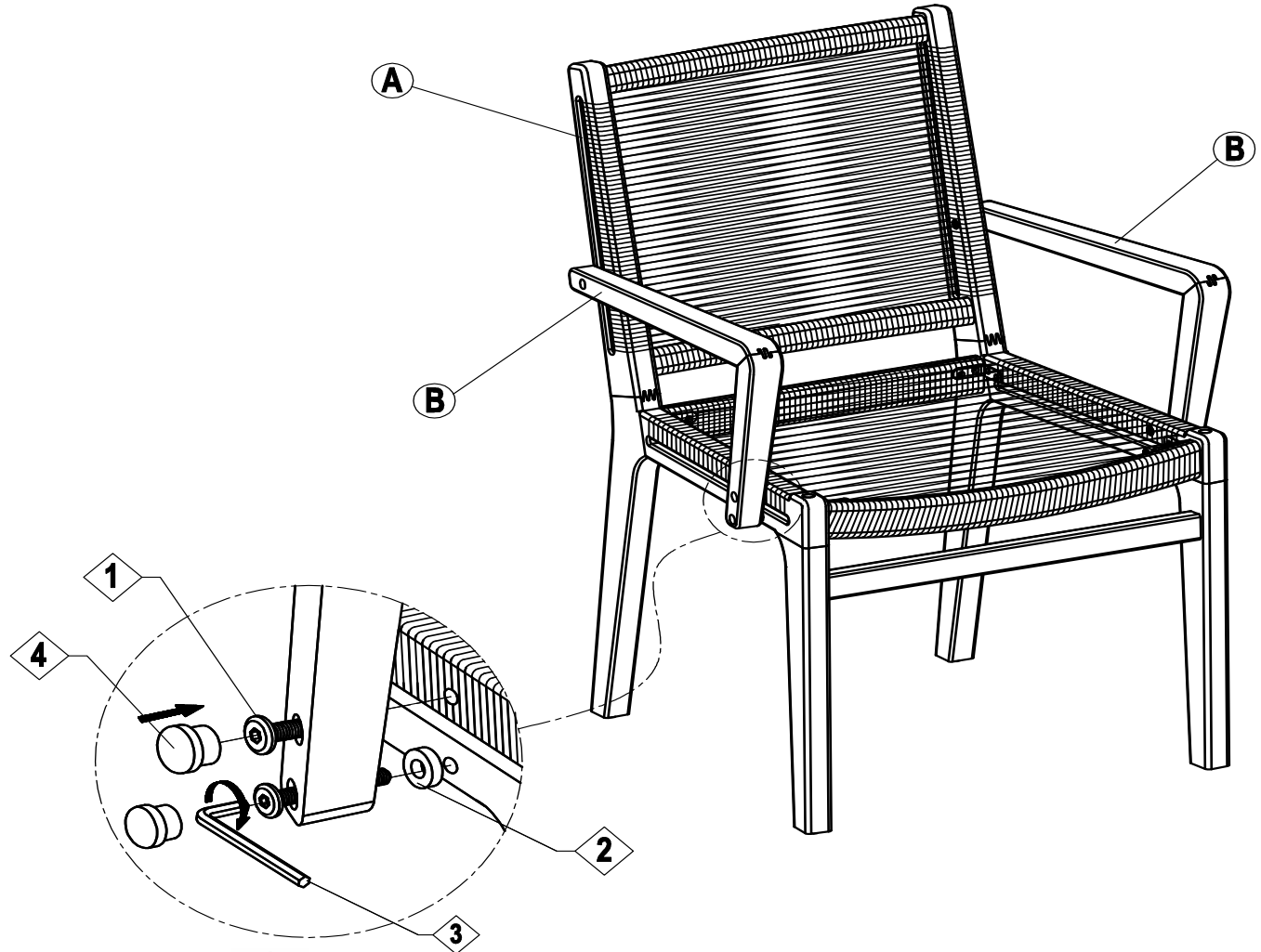
A x 1



B x 2 (Trái - Phải)

LIST OF HARDWARE

NO.	HARDWARE	QTY.
1	F-Bolt 	06
2	Plastic washer 	02
3	Allen key 	01
4	Wood Nut 	06



WARNING! DO NOT use this table in any other way than it is designed for. Tables are to be sat next to or at, they are not designed to hold human weight on top of the table. The maximum load on this table must not exceed: 225LBS / 102KGS. All table legs **MUST REMAIN** on the ground **AT ALL TIMES**. DO NOT permit anyone to climb on to, stand on, jump on or off or use this table as a step ladder. **ALWAYS SUPERVISE CHILDREN**, children are your responsibility, **NEVER permit children to play on, around or under any furniture**. Failure to follow this Warning may lead to: loss of property, severe bodily injury and or death