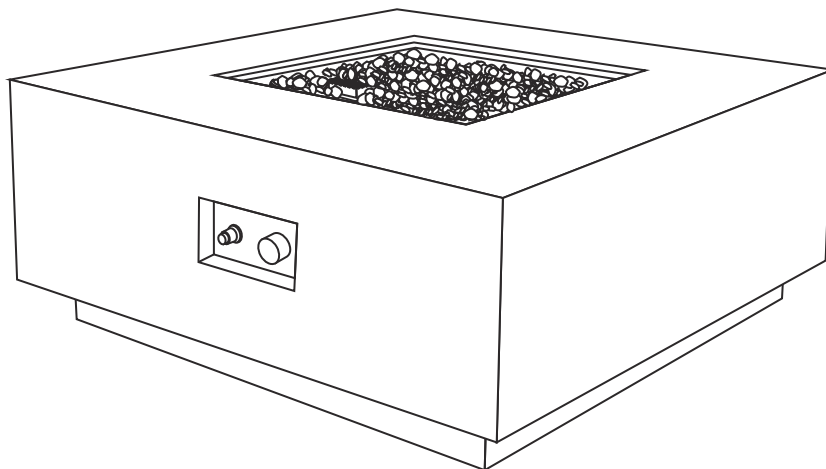


# ELEMENTI

THE ART OF LIVING



OFG413LP

VICTORIA Fire Table / BERGEN Fire Table

Owner's Manual

Gas type: Propane

## IMPORTANT

### INSTALLER:

Leave this manual with the appliance.

### CONSUMER:

Retain this manual for future reference.

## WARNING

• If the information in this manual is not followed exactly, a fire or explosion may result causing property damage personal injury or loss of life.

- Installation and service must be performed by a qualified installer, service agency or gas supplier.
- Improper Installation, adjustment, alteration, service or maintenance can cause injury or property damage.

- Read the installation, operation and maintenance instructions thoroughly before installing or servicing this equipment.
- Save these instructions for future reference. If you are assembling this unit for someone else, give this manual to him or her to read and save for future reference.

## WARNING

Do not store or use gasoline or other flammable vapors and liquids, in the vicinity of this or any other appliance. An LP-cylinder not connected for use should not be stored in the vicinity of this or any other appliance.

## DANGER

### FIRE OR EXPLOSION HAZARD

If you smell gas:

- Shut off gas to the appliance.
- Extinguish any open flame.
- If odor continues, leave the area immediately.
- After leaving the area, call your gas supplier or fire department.

Failure to follow these instructions could result in fire or explosion, which could cause property damage, personal injury, or death.



## WARNING


For outdoor use only  
Installation and service must be performed by a qualified installer, service agency, or the gas supplier.



# TABLE OF CONTENTS

Important Safety Information -----	3
Propane (LP) Dangers and Warnings -----	5
Hose & Regulator Assembly and Replacement -----	7
Parts List -----	8
Assembly Instructions -----	9
Lighting Instructions -----	13
Care and Cleaning -----	14
Gas Component Checks -----	15
Troubleshooting -----	17
Warranty -----	19

 <b>DANGER</b>	<b>CARBON MONOXIDE HAZARD</b>
	<p>This appliance can produce carbon monoxide which has no odor.</p> <p>Using it in an enclosed space can kill you.</p> <p>Never use this appliance in an enclosed space such as a camper, tent, car or home.</p>

 **WARNING:** This product can expose you to Carbon monoxide, which is known to the State of California to cause birth defects or other reproductive harm. For more information go to [www.P65Warnings.ca.gov](http://www.P65Warnings.ca.gov) .

# IMPORTANT SAFETY INFORMATION



## WARNING FIRE TABLE IS FOR OUTDOOR USE ONLY

### IF YOU SMELL GAS

- Shut off gas supply to the fire table.
- Extinguish any open flame.
- Do not try lighting any appliance.
- Do not touch any electrical switch; do not use any phone in your building.
- Immediately call your gas supplier from a neighbor's phone.
- Follow the gas supplier's instructions.
- If you cannot reach your gas supplier, call the fire department.

Installation and repair should be done by a qualified service person. The appliance should be inspected before use and at least annually by a qualified service person. More frequent cleaning may be required as necessary. It is imperative that the control compartment, burners, and circulating air passageways of the appliance are kept clean.

• **WARNING:** Failure to follow the dangers, warning and cautions in this manual may result in serious bodily injury or death, or in a fire or an explosion causing damage to property.

• **IMPORTANT NOTICE:** Read and understand all warnings and precautions prior to assembly and use of your gas fire table. Improper installation, adjustment, alteration, service or maintenance can cause injury or property damage.

• **NOTE:** The use and installation of this product must conform to local codes, or in the absence of local codes with the National Fuel Gas Code, ANSI Z223.1 • NEPA 54; Natural Fuel Gas code ; Natural Gas and Propane Installation Code, CSA B149.1; or Propane Storage and Handling code B149.2; This appliance complies with ANSI Z21.97-2017• CSA2.41-2017 Outdoor Decorative Gas Appliances Standards.

### •**Minimum Clearance from Unit to Combustible Materials**

72”(182.9cm) minus the height of appliance from the top; 48” (121.9cm) from all sides and back.

• Do not locate this fire table under any overhead enclosure.

• The minimum inlet gas supply pressure: 25 PSI.

The maximum inlet gas supply pressure: 250 PSI.

• Keep these instructions for future reference. If you are assembling this unit for someone else, give this manual to him or her to read and keep for future reference.

• This gas fire table must be used ONLY outdoors in a well-ventilated space and shall NOT be used inside a building, garage, or any other enclosed area.

• DO NOT use this outdoor gas fire table for indoor heating. TOXIC carbon monoxide fumes can accumulate and cause asphyxiation.

• NEVER LEAVE this gas fire table unattended when in using.

• Children and adults should be alerted to the hazards of high surface temperatures and should stay away to avoid burns or clothing ignition.

• Do not store or use gasoline or other flammable vapors and liquids within 25 feet (7.62m) of this or any other appliance.

• Do not store any combustible materials in the base enclosure.

• The use of alcohol, prescription or non-prescription drugs may impair an individual's ability to properly assemble or safely operate this outdoor fire table.

• The instruction manual contains important information necessary for the proper assembly and the safe use of the appliance.

• Read and follow all warnings and instructions before assembling and using the appliance.

• Follow all warnings and instructions when using the appliance.

• If instructions or parts are missing, contact ELEMENTI for technical support.

# IMPORTANT SAFETY INFORMATION

- DO NOT use in an explosive atmosphere. Keep gas fire table area clear and free from combustible materials, gasoline and other flammable vapors and liquids.
- This outdoor fire table is NOT to be operated by children. Young children should be closely supervised when in the vicinity of this outdoor fire table.
- This outdoor fire table is not to be installed or used in or on recreation vehicles and/or boats.
- Always use in accordance with all applicable local, state and national codes. Contact your local fire department for details on outdoor burning.
- Use the same precautions you would with any open fire when using this outdoor fire table.
- DO NOT burn solid fuels such as: wood, charcoal briquettes, lump charcoal, manufactured logs, driftwood, trash, leaves, paper, cardboard, plywood, painted or stained or pressure treated wood in this outdoor fire table.
- DO NOT use this outdoor fire table until it is COMPLETELY assembled and all parts are securely fastened and tightened.
- DO NOT store another LP gas tank within 10 feet (3.05 m) of this outdoor fire table while it is in operation.
- DO NOT use this outdoor fire table near automobiles, trucks, vans or recreational vehicles.
- DO NOT use this outdoor fire table under any overhead structure or near any unprotected combustible constructions. Avoid using near or under overhanging trees and shrubs.
- Always use this outdoor fire table on a hard, level non-combustible surface such a concrete, rock or stone. An asphalt or blacktop surface may not be acceptable for this purpose.
- DO NOT use this outdoor fire table if any part has been under water. Immediately call a qualified service technician to inspect the fire table and to replace any part or control system and any gas control which has been under water.
- DO NOT wear flammable or loose clothing when operating this outdoor fire table.
- DO NOT use in windy conditions.
- Keep all electrical cords away from a hot outdoor fire table.
- Certain areas of this outdoor fire table when in use will become too hot to touch. Do not touch hot surfaces until the unit has cooled unless you are wearing protective gear such as insulated pot holders or heat resistant gloves or mittens to avoid burns.
- DO NOT hang or place clothing or other flammable materials on or near the gas fire table.
- Any guard or other protective device removed for servicing the fire table must be replaced prior to operating the fire table.
- DO NOT attempt to move or store this outdoor fire table until all parts are cool.
- DO NOT lean over this outdoor fire table when lighting or when in using.
- Use only the regulator and hose assembly provided. The replacement regulator and hose assembly shall be that specified by the manufacturer.
- DO NOT attempt to disconnect the gas regulator from the tank or any gas fitting while the outdoor fire table is in using.
- Always shut off gas supply at the tank valve and disconnect regulator from the tank when the fire table is not in using
- DO NOT sit on the mantle when the unit is in operation.
- DO NOT throw anything onto the fire when the unit is in operation.
- Fire glass are very hot; please keep the children or pets away at a safe distance.
- It is essential to keep the outdoor fire table valve compartment, burners, and circulating air passages clean. Inspect outdoor fire table before each use.
- Prior to each fire table operation, check the hose for evidence of excessive abrasion or wear by looking through the visual check hole. If the hose is damaged, cracked or cut, it must be replaced before using the gas fire table. The hose assembly can only be replaced with a hose assembly specified by the manufacturer.

# IMPORTANT SAFETY INFORMATION

- Before each use, remove the fire glass. Examine the burner and its components. If dirty, clean with a soft brush and soapy water solution. Examine the area around the burner; any dirt or foreign material, such as spider webs or nests in this area should be removed. If it is evident that the burner is damaged, the fire table must not be used. The burner assembly cannot be replaced. Please contact ELEMENTI for technical support.
- Place the hose out of the pathways where people may trip over it. Do not place the hose in areas where it may be subjected to accidental damage.



## WARNING

This outdoor fire table is for use with liquid propane (LP) gas only. The conversion to or attempted use of natural gas in this outdoor fire table is dangerous and could result in serious personal injury, or property damage.

ATTENTION: Any alteration of the outdoor fire table that is not specifically directed in the operations manual will void manufacturer warranty.

# PROPANE (LP) DANGERS AND WARNINGS

## LP Gas

LP gas is flammable and hazardous if handled improperly. Become aware of the characteristics before using any LP gas product.

## Propane Characteristics

- Flammable, explosive under pressure, heavier than air and settles in pools in low areas.
- In its natural state, propane has no odor. For your safety, an odorant has been added.
- Contact with propane could burn your skin.
- Propane is extremely flammable and hazardous if handled improperly.

## LP GAS WARNINGS

- Cylinders must be stored outdoors in a well-ventilated area out of reach of children.
- Disconnected cylinders must have threaded valve plugs tightly installed and must not be stored in a building, garage or any other enclosed area.
- Never use a propane cylinder with a damaged body, valve, collar or footing.
- Dented or rusted propane cylinders may be hazardous and should be checked by your propane gas supplier.
- Be sure to use only one 20 lb (9.1 kg) LP gas cylinder with a Type 1 valve with this appliance as required by the American National Standards Institute (ANSI) and the Canadian Standards steering Committee. Only tanks marked "propane" may be used.
- The LP gas supply tank must be constructed and marked in accordance with the specifications for LP gas LP gas tanks of the U.S. Department of Transportation (DOT) or the National Standard of Canada, CAN/CSA-B339, LP gas tanks, Spheres and Tubes for the Transportation of Dangerous Goods and Commission.
- LP gas tank must be arranged for vapor withdrawal.

# PROPANE (LP) DANGERS AND WARNINGS

- The LP gas tank must have a tank collar to protect the tank valve.
- LP gas cylinder must contain a shut-o valve as specified in the Standard for Compressed Gas Cylinder Valve Outlet and Inlet Connection, ANSI/CGA-V-1-1977, CSA B96.
- The LP gas tank should not be dropped or handled roughly.
- Tanks must be stored outdoors out of the reach of children. Do NOT store in a building, garage, or any other enclosed area.
- Never store your LP gas tank where temperatures can reach over 125°F.
- Do not store the LP gas cylinder in direct sunlight or near a source of heat or combustion.
- Never keep a filled LP gas tank in a hot car or car trunk. Heat will cause the gas pressure to increase, which may open the relief valve and allow gas to escape.
- Place dust cap on valve outlet whenever the LP gas tank is not in use. Only install the type of dust cap on the LP gas tank valve outlet that is provided with the LP gas tank valve. Other types of caps or plugs may result in leakage of propane.
  - a. Do not store a spare LP gas cylinder under or near this appliance.
  - b. Never fill the LP gas cylinder beyond 80% full.
  - c. If the information in (a) and (b) is not followed exactly, a fire causing death or serious injury may occur.
- LP gas cylinders should be filled only by a certified LP gas dealer.
- The pressure regulator is set for 11 inches of water column (pressure).
- The maximum inlet gas pressure for this outdoor fire table is 14 inches of water column pressure.
- Never attempt to attach this appliance to the self-contained LP gas system of a camper trailer, motor home or house.
- Always use the pressure regulator and hose assembly provided with the appliance to connect to a LP gas cylinder. Never connect to an unregulated LP gas supply. Please contact ELEMENTI for technical support.
- Hand turn the manual gas control valve. Never use tools. If the valve will not turn by hand, do not try to repair it. Call a Certified Gas Technician. The use of force or any self attempted repair may result in a fire or explosion.

## **Connecting your gas cylinder**

Before connection, be sure that there is no debris caught in the head of the gas cylinder, head of the regulator valve or in the head of the burner and burner ports. Connect regulator valve and hand-tighten firmly. Disconnect the propane cylinder from the regulator valve when the fire table is not in use. DO NOT obstruct the flow of combustion air and ventilation air to the burner.



# HOSE & REGULATOR ASSEMBLY AND REPLACEMENT

1. This fireplace comes equipped with a standard LP gas hose and regulator including the appliance side connection for a CGA No 791 Cylinder Connection Device. The LP gas hose and regulator supplied with this fire table must be used. Only a hose and regulator specified by manufacturer can be used for replacement.
  - a. The CGA No 791 connection incorporates a magnetic flow limiting device that acts to limit the flow of gas if a leak is detected between the regulator and the burner valve.
  - b. If the burner valve is open prior to the LP gas cylinder service valve being opened, the connection will interpret this free flow of gas to be a leak.
  - c. The connection safety feature will reduce gas flow from the regulator to the appliance to a minimal level.
  - d. Be sure that the burner control valve is closed prior to opening the LP gas cylinder service valve to ensure that the connection flow limiting device is not triggered mistakenly.
  - e. If the connection flow limiting device is triggered mistakenly, close the LP gas cylinder service valve and the burner valve, wait 10 seconds to allow the device to reset, open the cylinder service valve, then open the burner valve and light the fireplace as per lighting instructions.
2. Be sure to protect the hose from any hot surfaces. Serious danger may result if the hose contacts any hot surface
3. Regular maintenance of the hose and regulator:
  - a. Inspect the hose before each use of the fire table. If the hose shows signs of cracks, abrasions, cuts or damage of any kind, do not operate the appliance. Fix or replace the hose as required before using the appliance. For assistance with repair or replacement of the hose, call ELEMENTI .  
Use only replacement parts from the manufacturer.
  - b. Inspect the seal inside the CGA No 791 service valve on the LP gas cylinder when replacing the cylinder or at least once per year. If there is any indication of damage, have the seal replaced by a certified gas dealer before operating the appliance.
4. Do not use tools to tighten the CGA No 791 connection nut onto the LP gas cylinder service valve. Hand tighten only.
5. Be careful to not cross the threads on the connection when tightening the CGA No 791 connection on to the LP gas cylinder service valve.
6. “Leak Test” should always be performed after attaching the connection to the LP gas cylinder service valve. (See “Checking for Leaks” section of this manual on page 12)
7. For the connection of the hose and regulator to the LP tank, refer to the “Connection” section of the LP gas cylinder section above.

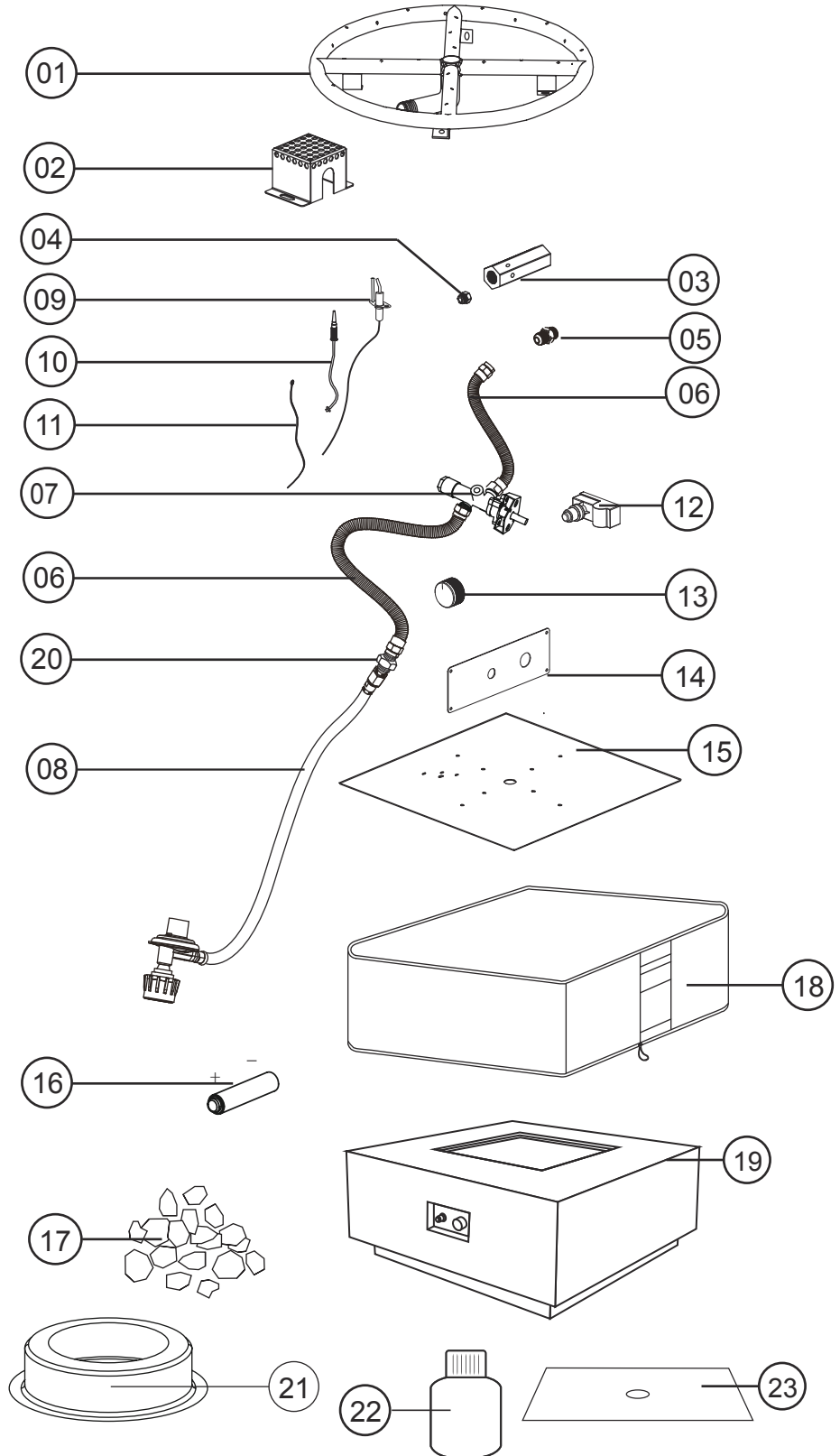
# PARTS LIST

Item	Picture	Description	Qty.
01		Burner	1 pc
02		Pilot Housing	1 pc
03		Venturi tube	1 pc
04		Orifice	1 pc
05		Orifice Holder	1 pc
06		Corrugated Pipe	2 pcs
07		Valve	1 pc
08		Propane regulator and hose	1 pc
09		Electrode	1 pc
10		Thermocouple	1 pc
11		Ground Wire	1 pc
12		Spark Ignitor	1 pc
13		Control Knob	1 pc
14		Control Panel	1 pc
15		Burner Plate	1 pc
16		Battery	1 pc
17		Fire glass	13.5 kgs
18		Cover	1 pc
19		Fire table body	1 pc
20		Brass fitting	1 pc
21		Tank Seat	1 pc
22		Repair Grout	1 pc
23		Cover	1 pc



## WARNING

For technical support or replacement parts or missing parts please contact ELEMENTI for technical support.

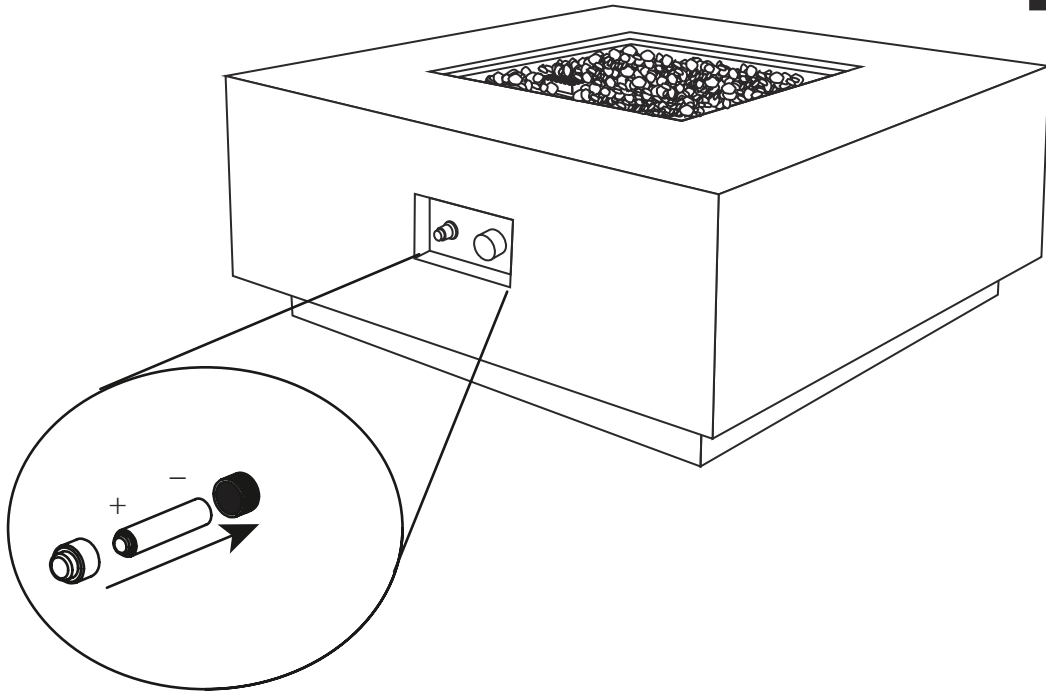




# ASSEMBLY INSTRUCTIONS

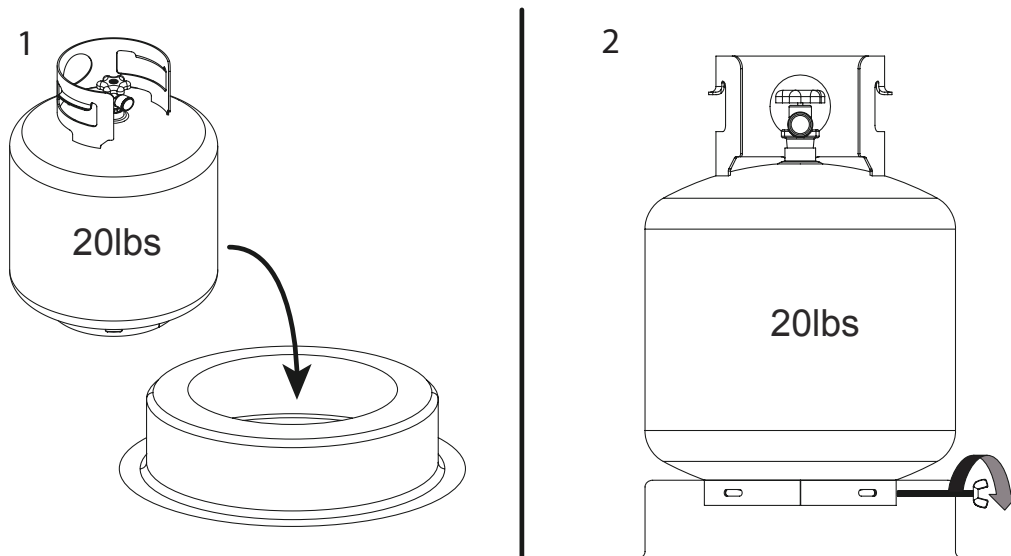
# 1

Make sure the gas supply system is turned to "OFF".  
Install the AAA battery as shown in the diagram below.



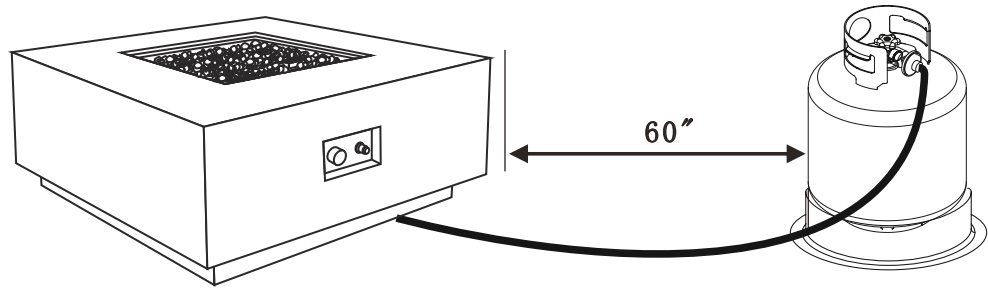
1. Place the tank seat on the ground and place a 20 lb. propane tank into the tank seat.
2. Tighten down the screw on the side of the tank seat to secure the propane tank.

# 2



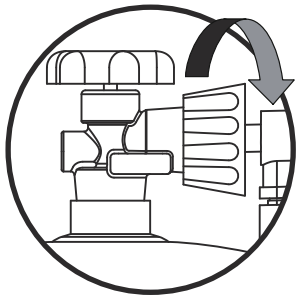
# ASSEMBLY INSTRUCTIONS

# 3



## WARNING

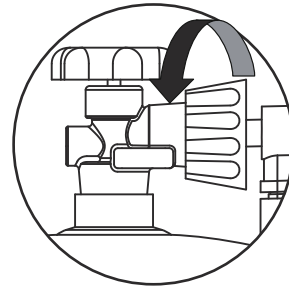
Fire Pit must be 60 inches away from the Gas Tank.  
Pay attention to the tipping hazard!



### Connecting the LP Gas Tank

Check to make sure there is no debris in the head of the LP gas tank or in the head of the regulator valve. Make sure you check the burner and burner ports as well.

Connect gas line to tank by turning knob clockwise. Hand tighten only.



### Disconnecting the LP Gas Tank

Make sure the valve on the LP gas tank is OFF.

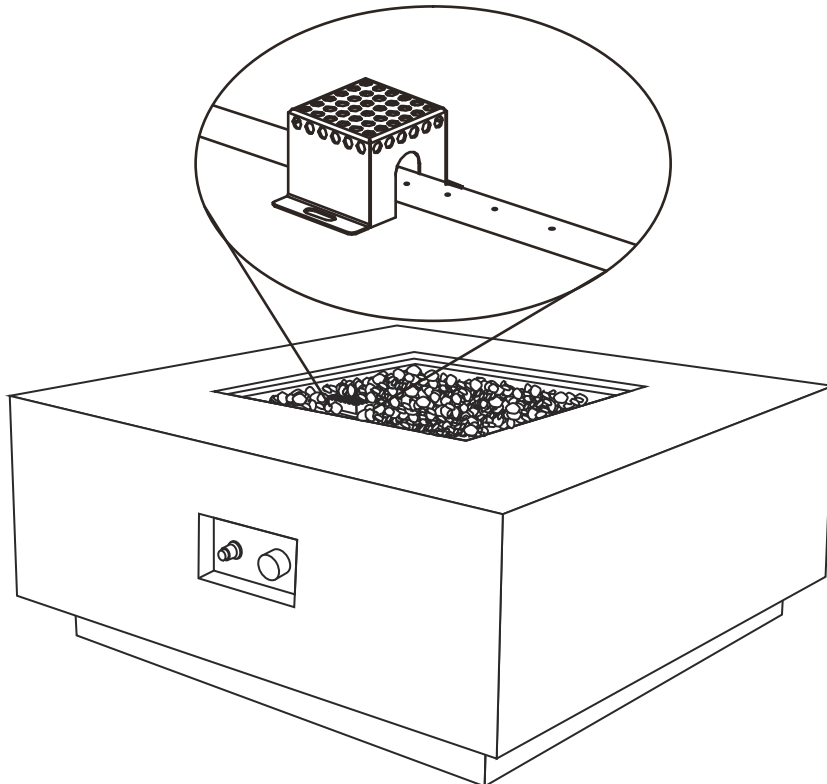
Disconnect by turning the knob counter clockwise until it is detached from the valve.

Provided with a listed overfilling prevention device; and provided with a cylinder connection device compatible with the connection for the appliance.

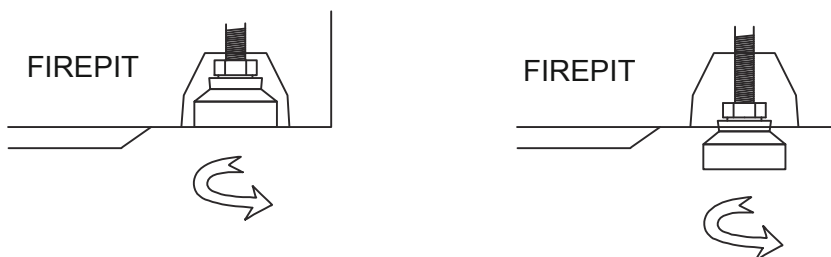
# ASSEMBLY INSTRUCTIONS

# 4

Put on gloves and place fire glass by hand. DO NOT dump bag out in to the tray to avoid clogging the burner with dust. Position the fire glass to a level about 0.5" above the top of the burner. Make sure that you do not block the igniter box with fire glass to ensure proper ignition.



Adjustable feet has pre-installed on the bottom of fire pit already. Please adjust the height of feet to make sure all fire pit was on level always, or increase the height of fire table as your preference. Please make sure the height was safty before you complete.



# PRE-USE INSTRUCTIONS



**WARNING** Before using this outdoor fire table, make sure you have read, understand and are following all information provided in the Important Safety Information section of this manual. Failure to follow those instructions can cause death, serious injury or property damage.

Prior to each gas fireplace operation, check the hose and valve for evidence of excessive abrasion or wear through the visual check hole on the side of the base. Replace visual check cap prior to operating fireplace.

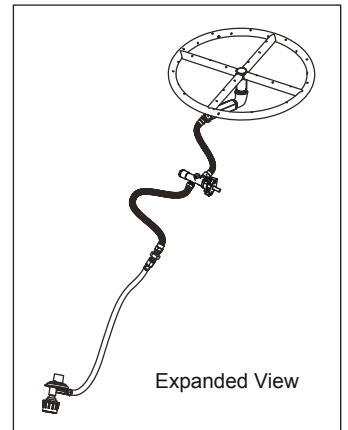
## BURNER CONNECTIONS

Make sure the regulator valve and hose connections are securely fastened to the burner and the tank. If your unit was assembled for you, visually check the connection between the burner pipe and orifice. Make sure the burner pipe fits over the orifice.



## WARNING

Failure to inspect this connection or follow these instructions could cause a fire or an explosion. Failure to position the parts in accordance with these diagrams or failure to use only parts specifically approved with this appliance may result in property damage or personal injury.



Please refer to diagram for proper installation.

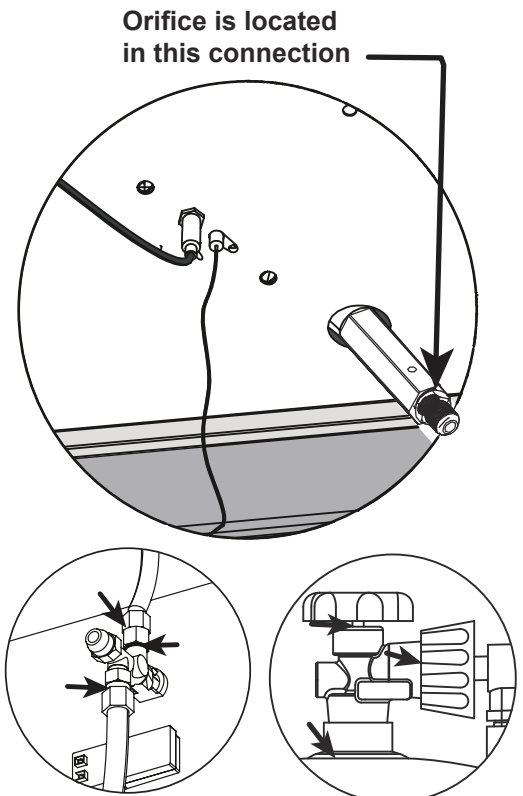
If the burner pipe does not rest flush to the orifice please contact ELEMENTI for technical support..

## CHECKING FOR LEAKS

Make a leak check solution by mixing 1 part dish washing soap with 3 parts water in a spray bottle. Make sure control knob is "OFF." Then, turn LP gas tank to "ON" at valve.

Spray leak solution on valve connections paying particular attention to the areas indicated by arrows. If any bubbles appear turn LP gas tank OFF, reconnect and re-test. If you continue to see bubbles after several attempts, disconnect LP gas source and contact ELEMENTI for technical support..

If no bubbles appear after one minute turn tank OFF, wipe away solution and proceed.



# LIGHTING INSTRUCTIONS

## Using the Ignitor

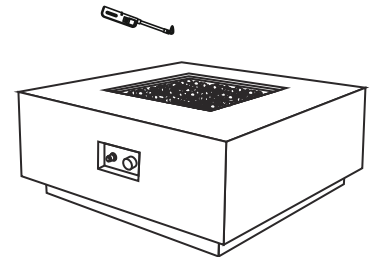
1. Read instructions before lighting.
2. Control knob must be in the "OFF" position.
3. Connect propane cylinder (See Manual), slowly open valve on LP gas cylinder.
4. Push and hold igniter button to create sparks.
5. While holding the igniter button with one hand, use your other hand to push and turn the control knob to the "LOW" position to light the burner.
6. If ignition does not occur in 5 seconds, push and turn the Control Knob to "OFF", wait 5 minutes and allow gas to dissipate.
7. Once the burner is lit, continue to hold the knob in for another 20 seconds and release.
8. Observe flame, make sure all burner ports are lit. Flame height should be no higher than 22 inches tall.
9. Adjust flame to desired flame with the control knob.



If the lighting procedure in these instructions is not followed exactly, a fire or explosion may result causing property damage, personal injury or loss of life.  
Keep the fire glass covered and make sure it is dry before igniting.

## Using a Long Match or Lighter

1. Prior to lighting, use a shovel to move fire glass for access to the burner.
2. Wearing heat resistant gloves, position the burning long match or burning butane lighter near the side of the burner. DO NOT lean over the fire table while lighting!
3. Turn control knob counterclockwise to "LOW".
4. Remove long match/long butane lighter.
5. After lighting, use a shovel and heat resistant gloves to carefully move the fire glass back into their proper position.
6. Observe flame, make sure all burner ports are lit. Flame height should be no higher than 22 inches tall.
7. Adjust the flame to the desired height with the control knob.



## WARNING

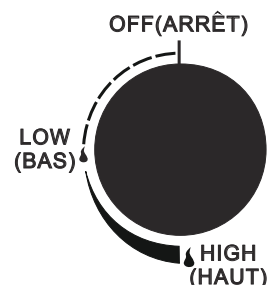
When using this method to light your fire table use heat resistant gloves and follow the step by step instructions. Failure to do so could result in severe injury.



## WARNING

If burner flame goes out during operation, immediately turn the control knob "OFF" and let the gas clear a minimum of 5 minutes before attempting to re-light the fire table.

Please refer to the trouble shooting pages for additional support, beginning on page 17.



# TURNING OFF

1. Turn and push the control knob clockwise to the "OFF" position.
2. Turn the cylinder valve on the gas tank to clockwise to close.

# CARE AND CLEANING

## Inspecting

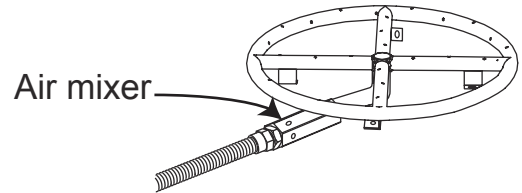
This outdoor fire table must be inspected regularly to insure that the product is safe to use and to extend product life.



## WARNING

DO NOT inspect this outdoor fireplace until the fire is COMPLETELY out.

1. Check the burner to make sure it is securely in place.
2. Check the air mixer to make sure it is clear and free of insects, spider nests and other debris(see picture).
3. Check all gas connections for leaks.
4. Check ignition system to insure proper sparking.
5. Check components for any signs of damage, rust or excessive wear.
6. If damage to any component is detected, DO NOT operate until the proper repairs have been made.



## WARNING

DO NOT tamper with this appliance. This is DANGEROUS and will void the warranty. Any part found to be faulty must be replaced with an approved part, confirmed by manufacturer. Contact ELEMENTI for technical support.

## General Care and Cleaning

This outdoor fireplace should be cleaned regularly to ensure safe use and extend product life.

Note: After repeated use, a slight discoloration of the finishes may occur.

## Table

1. Wipe exterior surfaces with a mild dish washing soap or baking soda, then rinse clean with water.

## Stainless Steel

1. For general cleaning use warm water, soap, ammonia, or detergent apply with a soft cloth or Sponge
2. For finger prints or smears use 3M Stainless Steel Cleaner and Polish, Arcal 20, Lac-O-Nu, LuminWash, O' Cedar Cream Polish, or Stainless Shine, this will provide a barrier file to minimize fingerprints.
3. For stubborn stains and discoloration use 3M Stainless Steel Cleaner and Polish, Allchem Concentrated Cleaner, Samae, Twinkle, Cameo Copper Cleaner, Liquid Nu Steel, Copper's or Revere Stainless Steel Cleaner, apply using a soft cloth in the same direction of the polish lines.
4. While using in salt air environments we recommend cleaning all stainless steel surfaces at least every two weeks to keep the item in prime condition. Stainless steel is corrosion-resistant but it is not impervious to rust. Exposure to salt air and sea spray will cause surface rust if you do not care for your products properly. The best thing you can do to protect the stainless steel is to clean it frequently.

\* Use of proprietary names is intended only to indicate a type of cleaner and does not constitute endorsement. Omission of any proprietary cleanser does not imply its inadequacy. All products should be used in strict accordance with instructions on package.

## Storage



## WARNING

DO NOT move or store this fire table unless the fire is COMPLETELY out and cool to the touch.

1. Turn gas OFF at tank connection. Remove tank and store in a cool, dry location outdoors, away from children.
2. Carefully remove rock filler and store components flat to protect them from breakage.
3. ALWAYS cover your outdoor fire table when not in use.
4. Store in a cool, dry location away from children and pets.



# CARE AND CLEANING

Please see below for recommendations on maintaining your fireplace surface for years of extended use:

- Clean any spills immediately to prevent permanent surface(s) staining or damage to your fireplace.
- Blot any liquid spills with a clean, dry cloth to avoid spreading of the spill to the rest of the fireplace.
- Immediate cleaning of stains / blotting of spills also prevents absorption of such stains / spills into the surfaces, compared to if such stains / spills are left for extended periods on these surfaces.

## How to apply a water based sealer:

- 1, This outdoor fireplace should be maintained regularly (normally 6 months) to ensure safe use and extend product life.
- 2, Please ensure all treatment with dust-free. Wipe the sealers on the concrete surface slightly with a soft rag, then wipe off the residual after concrete surface dry completely

## How to Clean your Fire table / Fire bowl surface(s):

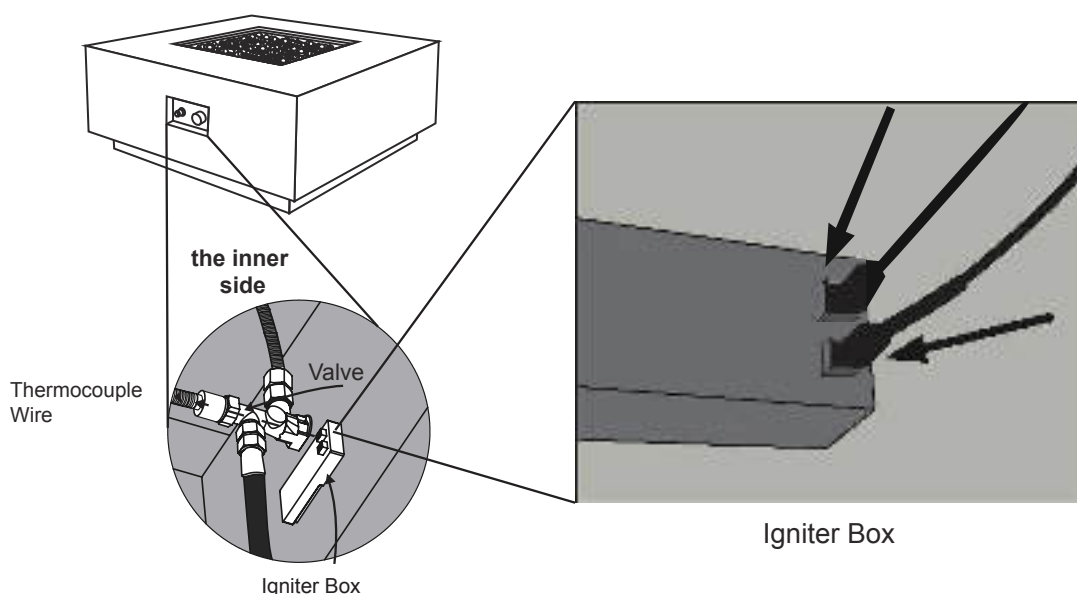
- 1, Mix a mild dish soap into warm clean water, use a soft, clean cloth or sponge.
- 2, Then proceed to remove surface dirt, stains or mild spills.
- 3, Rinse all soap solution off from the surfaces with a damp cloth.
- 4, Dry off completely with a dry cloth to avoid water spots / water marks.
- 5, Regularly cleaning the fireplace surface will aid in a longer lasting product.

- DO NOT use petroleum-based or abrasive cleaning products.
- DO NOT use any harsh brushes / rough sponges when cleaning the fireplace surface(s).
- DO NOT slide products across the fireplace surface(s) to avoid permanent scratching and or damage(s).
- DO NOT place any food on the surface(s) of the fireplace.
- DO NOT eat from the surface(s) of the fireplace surface.
- Fireplace surface must be covered at all times when not in use.
- Cover your product when not in use to protect it from the elements.
- Store your product indoors during winter months.
- Avoiding extreme cold temperatures, as extreme cold temperatures may cause cracking of the tabletop.

# GAS COMPONENT CONNECTION CHECKS

If the burner will not light or stay lit, please perform the following checks.

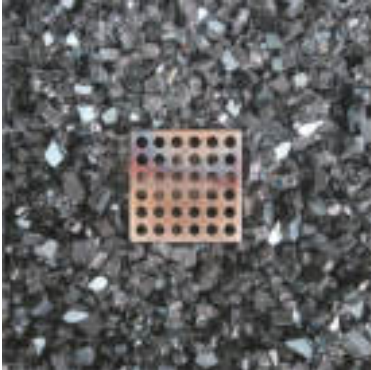
1. Make sure the electrode wire is correctly connected. Both electrode wires must be fully inserted into the igniter box.



# GAS COMPONENT CONNECTION CHECKS

2. Make sure that the pilot housing is unobstructed.

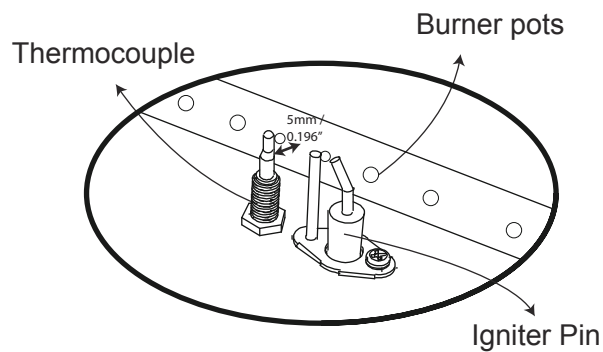
Clear any debris on top of the pilot housing and make sure there is no debris between the igniter pin, thermocouple and the burner tube.



**CORRECT**

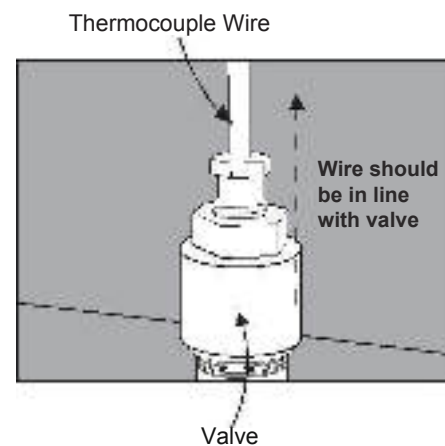
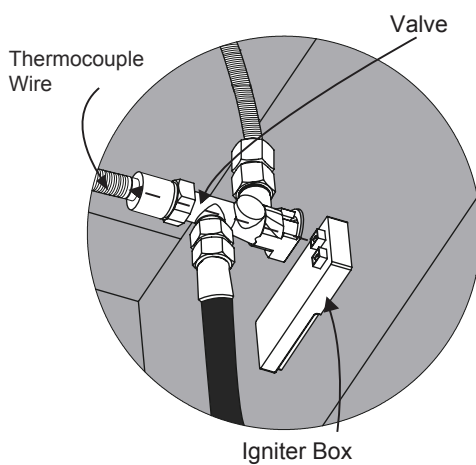


**INCORRECT**



3. Make sure that the igniter pin and thermocouple are correctly positioned.

- The igniter pin should be pointed straight to the thermocouple.
- The thermocouple should be positioned 5mm / 0.196" away from the burner tube.



4. Make sure that the thermocouple wire is correctly positioned. The thermocouple wire should be in line with the valve.

# TROUBLESHOOTING

## Problem: Burner will not light using igniter

**Possible Cause 1:** Electrode and burners are wet.

-Wipe dry with cloth.

**Possible Cause 2:** Igniter battery is dead or backwards.

-Check that the AAA battery is inserted correctly in the igniter (see page 9) or replace the battery.

**Possible Cause 3:** Igniter Pin cracked or broken - sparks at crack.

-Call ELEMENTI for technical support.

**Possible Cause 4:** Wire loose or disconnected.

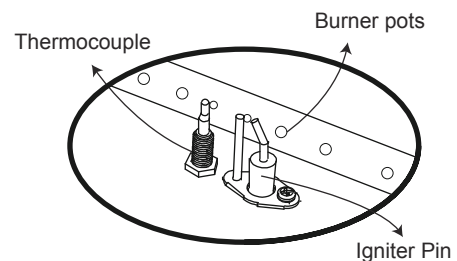
-Reference page 15, step 1, reconnect wire. Call ELEMENTI for technical support.

**Possible Cause 5:** Wire is shorting (sparking) between igniter and electrode.

-Call ELEMENTI for technical support.

**Possible Cause 6:** Bad Igniter.

-Call ELEMENTI for technical support.



## Problem: Burner will not light with match

**Possible Cause 1:** No Gas Flow.

-Check if the LP gas tank is empty. If empty, replace and refill. If the propane tank is not empty, refer to "Problem: Sudden drop in gas flow" on the following page.

**Possible Cause 2:** Coupling nut and regulator not fully connected.

-Turn the coupling nut about one half to three fourths a turn, until you feel a solid stop. Do not use tools, tighten by hand only.

**Possible Cause 3:** Obstruction of gas flow.

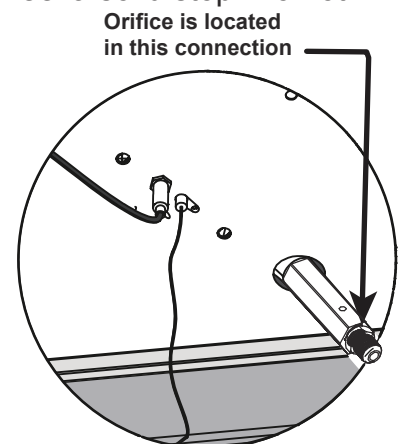
- Check for bent or kinked hose.

**Possible Cause 4:** Spider webs or insect nest in the Air mixer.

- Clean the Air mixer.

**Possible Cause 5:** Burner ports clogged or blocked.

-Reference "Problem: Irregular flame pattern" on the following page. Clean the burner ports as described there.



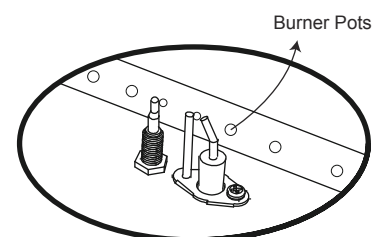
## Problem: The Fire Table emits a lot of black smoke when in use

**Possible Cause 1:** Hose from gas fireplace is pinched.

-Make sure the hose is not pinched between the fire table and the source of the gas.

**Possible Cause 2:** Flame is being obstructed at burner ports.

-Make sure that the gas ports on the burner are free of any fire glass so that the flame can flow naturally.



# TROUBLESHOOTING

## **Problem: Sudden drop in gas flow, or a reduced flame height**

**Possible Cause 1:** Out of gas.

-Refill your LP tank.

**Possible Cause 2:** Excess flow safety device may have been activated.

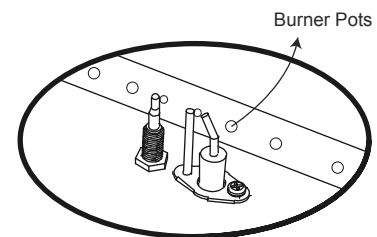
-Turn control knob to “OFF”, wait 30 seconds and light outdoor fireplace. If flames are still too low reset the excessive flow safety device by turning off the control knob and LP gas tank valve. Disconnect regulator. Turn burner control knob to “HIGH”. Wait 1 minute. Turn burner control knob off. Reconnect regulator and perform a leak check at tank connection. Turn LP gas tank valve on slowly, wait 30 seconds and then light outdoor fire table.

## **Problem: Irregular flame pattern, flame does not run the full length of the burner**

**Possible Cause:** Burner ports are clogged or blocked.

-Clean burner ports. Do this by inserting a paperclip into each of the burner ports to ensure they are not clogged.

**WARNING:** Make sure burner is not on and the gas supply has been properly disconnected. Allow 15 minutes for unit to cool before touching it.



## **Problem: Flame blow out**

**Possible Cause 1:** High or gusting winds.

-Increase flame to “HIGH” setting.

**Possible Cause 2:** Low on LP gas.

-Replace or refill LP gas tank.

**Possible Cause 3:** Excess flow valve tripped.

-Refer to “Problem: Sudden drop in gas flow”.

## **Problem: Flame seems to lose heat when burning in cold weather- temperature below 50°F**

**Possible Cause 1:** Ice has built up on the outside of the LP gas tank because the vaporization process is too low.

-Turn the control knob and the LP gas tank to “OFF”. Replace with a spare LP gas tank and resume burning. Store the spare LP gas tank in a well ventilated area, away from children

# Warranty

Ocean Rock USA INC. doing business as Elementi, warrants Elementi fire features and accessories to be free from defects in parts and workmanship under normal use and service for a period of 1 year from the date of purchase. In the event of such defects Elementi will, at its option, repair or replace the defective product. The foregoing is at the discretion of Elementi. There will be no charge for the replacement parts or product, however it will be the consumer's responsibility to return the product to the original place of purchase.

Elementi will not be responsible for consequential damages in excess of the purchase price of the product on which such liability is based and the warranty does not cover costs including freight, removal and reinstallation.

This warranty is non-transferable and applies only for units that are for non-commercial personal use only.

Under this warranty agreement, all gas lines must be installed by a licensed gas fitter. Damage caused by shipping, staining and abuse are not covered under this warranty. Dings, dents and scratches, fading and natural weathering are not covered under this warranty. Decorative rock is not covered under this warranty. Improper installations, repair or modifications made by anyone other than Elementi will void this warranty and any damage caused by such is also not covered under this warranty.

Minor chipping, weather fading, water staining and non-structural hairline cracks are typical of the material of this product and are not covered under this warranty. Some color and texture variation is typical of the material and finish for this product and is not covered under this warranty.

Cast concrete is a hand finished process. As such, this product's finish will vary by unit. There will be a color variance of up to 15% in each unit. There may also be uneven texture or pattern as well as small holes in the surface caused by air or water trapped on the surface during casting. This is a normal trait of cast concrete and is not covered under warranty.

# ELEMENTI

THE ART OF LIVING

**ELEMENTI U.S.  
Ocean Rock USA INC.**

692 Parkridge Ave.  
Norco, CA 92860 USA  
[www.elementifire.com](http://www.elementifire.com)  
[info@elementifire.com](mailto:info@elementifire.com)  
Tel.: 800-678-7294

**ELEMENTI Canada  
Backyard Lifestyles Ltd.**

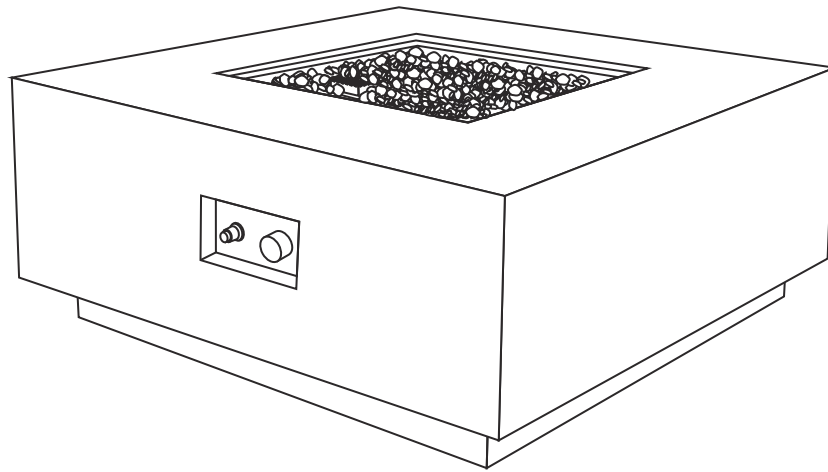
570 Applewood Cres, Unit 2  
Concord, ON  
L4K 4B4, Canada  
[info@backyardlifestyles.ca](mailto:info@backyardlifestyles.ca)  
[www.backyardlifestyles.ca](http://www.backyardlifestyles.ca)  
Tel.: 905-761-8930



# ELEMENTI



THE ART OF LIVING



OFG413LP

VICTORIA Fire Table / BERGEN Fire Table

Manuel d'utilisateur

Type de gaz: Propane



## IMPORTANT

**INSTALLATEUR:**

Laissez ce manuel avec l'appareil.

**CONSOMMATEUR:**

Garde ce manuel pour y revenir plus tard.



## AVERTISSEMENT

• Si les informations contenues dans ce manuel ne sont pas suivies adéquatement, un incendie ou explosion entraînant des dommages matériels, blessures ou des pertes de vie peuvent avoir lieu.

• L'installation et l'entretien doivent être faits par un installateur qualifié, une compagnie d'entretien ou un fournisseur de gaz.

• Une installation, un ajustement, une modification, une réparation ou un entretien inapproprié peuvent être la cause de blessures ou de dommages.

• Veuillez lire attentivement les instructions d'installation, d'utilisation et d'entretien avant d'installer ou de réparer ce matériel.

• Conserver ces instructions pour future référence. Si vous assemblez cet équipement pour quelqu'un d'autre, donnez-lui ce manuel pour une référence ultérieure.



## AVERTISSEMENT

Ne pas entreposer ni utiliser de l'essence ni d'autres vapeurs ou liquides inflammables dans le voisinage de l'appareil, ni de tout autre appareil. Une bouteille de propane qui n'est pas raccordée en vue de son utilisation, ne doit pas être entreposée dans le voisinage de cet appareil ou de tout autre appareil.



## DANGER

### DANGER D'INCENDIE OU D'EXPLOSION

S'il y a une odeur de gaz :

- Coupez l'admission de gaz de l'appareil.
- Éteindre toute flamme nue.
- Si l'odeur persiste, vous éloigner de l'appareil et appeler immédiatement.
- Après avoir quitté la zone, appelez votre fournisseur de gaz ou le service d'incendie.

Le non-respect de ces instructions peut entraîner la mort, des blessures graves ou des dommages matériels.





## AVERTISSEMENT


Pour utilisation à l'extérieur seulement. L'installation et l'entretien doivent être faits par un installateur qualifié, une compagnie d'entretien ou un fournisseur de gaz.



# TABLE DES MATIÈRES

Instruction de sécurité importante -----	23
Propane (LP): Dangers et avertissements -----	25
Remplacement et assemblage du boyau et du régulateur-----	27
Liste des pièces-----	28
Instructions de montage -----	29
Instructions d'allumage -----	33
Entretien et nettoyage -----	34
Contrôles des composants de gaz -----	35
Dépannage -----	37
Garantie -----	39

 <b>DANGER</b>	<b>MONOXYDE DE CARBONE</b>
	<p>Cet appareil peut produire du monoxyde de carbone inodore. Son utilisation dans un espace clos peut être mortel. Ne jamais utiliser cet appareil dans un espace comme caravane, tente, voiture ou maison.</p>

 <b>AVERTISSEMENT</b> : ce produit peut vous exposer au monoxyde de carbone, qui est reconnu par l'État de Californie comme pouvant causer des malformations congénitales ou d'autres problèmes de reproduction. Pour plus d'informations, rendez-vous sur <a href="http://www.P65Warnings.ca.gov">www.P65Warnings.ca.gov</a> .
--

# INSTRUCTION DE SÉCURITÉ IMPORTANTE



## ATTENTION POUR USAGE EXTÉRIEUR SEULEMENT

### ODEUR DE GAZ

- Couper l'alimentation en gaz à la table de feu.
- Éteindre toute flamme.
- Ne pas tenter d'allumer d'autres appareils.
- Ne toucher à aucun interrupteur électrique; ne pas utiliser de téléphone dans votre bâtiment.
- Appeler immédiatement votre fournisseur de gaz à partir du téléphone d'un voisin.
- Suivre les instructions du fournisseur de gaz.
- Si vous ne pouvez pas joindre votre fournisseur de gaz, appelez le service des incendies.

L'installation et les réparations doivent être faites par un technicien qualifié. L'appareil devrait être inspecté avant usage et au moins une fois l'an par un technicien qualifié. Des nettoyages plus fréquents peuvent être nécessaires. Le compartiment des boutons de contrôle, les brûleurs, et les canaux de circulation de l'air devraient toujours être gardés propres.

- **AVERTISSEMENT:** Le non-respect du danger, d'avertissement et des mises en garde dans ce service d'incendie peut entraîner des blessures corporelles graves ou la mort, ou un incendie ou une explosion causant des dommages à la propriété.
- **AVIS IMPORTANT:** Lire et comprendre tous les avertissements et précautions avant de procéder à l'assemblage et l'utilisation de votre table de feu à gaz. Une installation, un réglage, une modification à ce dernier, un service ou l'entretien peuvent causer des blessures ou des dommages matériels.
- **Remarque:** L'utilisation et l'installation de ce produit doivent être conformes aux codes locaux. En l'absence de codes, utilisez le Code Carburant National Gaz, ANSI Z21.97. Référence à gaz naturel et propane Installation Code CSA B149.1 ou Stockage et manutention du Propane Code B149.2. Conforme à la norme ANSI Z21.97-2017•CSA2.41-2017, Normes des Appareils de Gaz Décoratifs Extérieurs.
- **Dégagement Minimum d'Unité à Construction Combustible:**  
72"(182.9cm) moins la hauteur de l'appareil par le haut; 48"(121.9cm) de tous les côtés et le dos.
- Ne pas installer cette table-foyer sous une enceinte couverte.
- La pression minimum d'alimentation en gaz est de 25 PSI.
- La pression maximale d'alimentation en gaz est de 250 PSI.
- Conserver ces instructions pour référence ultérieure. Si vous installez cette unité pour quelqu'un d'autre, priez de lui donner ce manuel de le lire et de le conserver pour référence future.
- Ce tableau de feu de gaz doit être utilisé seulement en plein air dans un espace bien ventilé et ne peut pas être utilisé à l'intérieur d'un bâtiment, un garage ou tout autre endroit fermé.
- NE PAS utiliser cette table de feu de gaz pour le chauffage intérieur. Des émanations TOXIQUES de monoxyde de carbone peuvent s'accumuler et causer l'asphyxie.
- NE JAMAIS LAISSER cette table de feu de gaz sans surveillance durant l'utilisation.
- Les enfants et les adultes devraient être prévenus de la haute température des surfaces et être tenus à une distance sécuritaire lorsque la table-foyer est en usage.
- Ne pas entreposer ou utiliser d'essence ou autres vapeurs et liquides inflammables dans les 25 pieds (7,62 m) autour de cet appareil.
- Ne pas stocker de matériaux combustibles dans l'enceinte.
- L'utilisation d'alcool, de médicaments ou de médicaments sans ordonnance peut nuire à la capacité d'un individu à assembler correctement ou en toute sécurité utiliser cette table de feu en plein air.
- Les instructions contiennent des informations importantes pour un montage et une installation corrects Utilisation sécuritaire de l'équipement.
- lisez et suivez toutes les mises en garde et instructions avant de monter et d'utiliser l'équipement.
- suivez toutes les mises en garde et instructions lors de l'utilisation de cet équipement.
- Si des instructions ou des pièces manquent, appeler ELEMENTI pour le support technique.

# INSTRUCTION DE SÉCURITÉ IMPORTANTE

- NE PAS utiliser dans une atmosphère explosive. Garder la zone environnant la table de feu nette et vidée de tout type de matériaux combustibles, d'essence et d'autres vapeurs et liquides inflammables
- Cette table de cuisson d'extérieur ne doit PAS être utilisée par des enfants. Les jeunes enfants doivent être surveillés attentivement lorsqu'ils se trouvent à proximité de cette table de cuisson.
- Cette table de feu ne doit pas être installée ou utilisée dans ou sur des véhicules et / ou des bateaux de loisirs.
- Toujours utiliser en conformité avec tous les codes locaux, provinciaux et nationaux applicables. Contacter votre service d'incendie local pour plus de détails sur les feux en plein air.
- Utilisez les mêmes précautions qu'avec un feu de camps au sol lors de l'utilisation de cette table de feu en plein air.
- Ne pas brûler des combustibles solides tels que: bois, petites briques de charbon, le charbon de bois en morceaux, les papiers journaux fabriqués, bois flotté, détritux, feuilles, papier, carton, contreplaqué, matériaux peints ou teints ou bois traité sous pression dans cet appareil..
- NE PAS utiliser cette table de feu à l'extérieur avant qu'elle ne soit complètement assemblée et que toutes les parties soient solidement fixées et serrées
- NE PAS stocker tout autre réservoir à gaz de propane à moins de 10 pieds (3,05 m) de cette table de feu lorsque l'appareil est en fonctionnement.
- NE PAS utiliser ce tableau de feu près de voitures, camions, fourgonnettes ou de véhicules récréatifs.
- NE PAS utiliser ce tableau de feu dans une structure à toiture ou à proximité des constructions combustibles non protégées. Éviter d'utiliser près ou sous un surplomb d'arbres et arbustes.
- Toujours utiliser ce tableau de feu sur une surface dure ayant un niveau non-combustible, tel que le béton, la roche ou de la pierre. Une surface d'asphalte ou de bitume ne peut pas être utilisée.
- NE PAS utiliser ce tableau de feu si une partie a été passée sous l'eau. Appeler immédiatement un technicien qualifié pour inspecter l'appareil et remplacer tout le système ou la partie mouillée contrôlant la sortie de gaz.
- NE PAS porter de vêtements inflammables ou de vêtement ample lors de l'utilisation de cette table de feu en plein air.
- NE PAS utiliser dans un environnement venteux.
- Garder tous les cordons électriques loin d'une table de feu lorsque celle-ci commence à chauffer.
- Certaines zones de ce tableau de feu lors de l'utilisation deviendront trop chaudes au toucher. Ne pas toucher des surfaces chaudes jusqu'à ce que l'appareil refroidisse à moins que vous portiez des vêtements de protection spéciaux ou des gants résistants à la chaleur ou des mitaines pour éviter les brûlures.
- NE PAS accrocher ou placer des vêtements ou autres matériaux inflammables sur ou près de la table de feu de gaz.
- Tout protecteur ou autre dispositif de protection retiré pour l'entretien de la table d'incendie doivent être remplacés avant de faire fonctionner la table de feu de nouveau.
- NE PAS tenter de déplacer ou de ranger cette table de feu avant que toutes les parties qui la composent aient refroidies.
- NE PAS se pencher sur cette table de feu lors de l'allumage ou lors de son utilisation.
- Utiliser uniquement le régulateur et le tuyau fournis ensemble. En cas de remplacement, l'ensemble du régulateur et tuyau doit être celui spécifié par le fabricant.
- NE PAS tenter de déconnecter le régulateur de gaz du réservoir ou de tout raccord de gaz pendant que le en plein air table de feu est en cours d'utilisation.
- Toujours couper l'alimentation en gaz à la valve du réservoir et débrancher le régulateur du réservoir lorsque la table de feu n'est pas utilisée.
- Ne jamais s'asseoir sur les rebords de l'appareil quand il est en fonctionnement.
- Ne rien jeter sur le feu lorsque l'appareil est en fonctionnement.
- Les verres à feu sont très chauds; par mesure de sécurité, s'il vous plaît garder les enfants ou les animaux domestiques éloignés et à distance.
- Il est essentiel de garder propre l'extérieur, le compartiment de la table, la soupape, les brûleurs et les passages d'air circulant. Inspecter minutieusement la table de feu avant chaque utilisation.
- Avant chaque opération de table de feu, vérifier que le tuyau ne montre aucune preuve d'abrasion excessive ou d'usure en regardant à travers le trou de contrôle visuel. Si le tuyau est endommagé, fissuré ou coupé, il doit être remplacé avant d'utiliser la table de feu de gaz. Toute pièce ne peut être remplacée que par un tuyau spécifié par le fabricant.

# INSTRUCTION DE SÉCURITÉ IMPORTANTE

- Avant chaque utilisation, retirez la verre feu. Examiner le brûleur et tous ses composants. Si elle est sale, nettoyer délicatement avec une brosse douce et une solution d'eau savonneuse. Examiner la zone autour du brûleur; toute saleté ou matières étrangères, telles que des toiles d'araignées ou des nids dans ce domaine doit être supprimée. S'il est évident que le brûleur soit endommagé, l'appareil ne doit pas être utilisé. L'ensemble de brûleur ne peut pas être remplacé. Veuillez contacter Elementi pour le support technique.
- Placer le tuyau loin des voies où les gens peuvent trébucher. Ne pas placer le tuyau dans les zones où il peut être soumis à des dommages accidentels.



## ATTENTION

Cette table-foyer extérieure est conçue pour être utilisée avec du gaz propane exclusivement (LP). Convertir ou tenter d'utiliser du gaz naturel dans cette table-foyer extérieure est dangereux et peut occasionner des blessures sérieuses ou des dommages à la propriété.

ATTENTION: Toute modification apportée à la table n'étant pas spécifiée dans le manuel d'exploitation annulera la garantie du fabricant.

# PROPANE (LP) DANGERS ET AVERTISSEMENTS

## Le gaz propane LP

Le gaz propane est inflammable et dangereux en cas de manipulation inadéquate. Prendre connaissance des caractéristiques avant d'utiliser un produit de gaz propane.

## Caractéristiques du propane

- Inflammable, explosif sous pression, plus lourd que l'air et se dépose dans les zones basses et fonds de piscines.
- Dans son état naturel, le propane est inodore. Pour votre sécurité, un odorant a été ajouté.
- Tout contact direct avec le propane pourrait brûler votre peau.
- Le propane est extrêmement inflammable et dangereux en cas de manipulation inadéquate.

## AVERTISSEMENTS relatifs au gaz propane

- Les bouteilles doivent être entreposées à l'extérieur dans un endroit bien ventilé hors de portée des enfants.
- Les cylindres déconnectés doivent avoir des bouchons de valve préalablement traités, bien installés et ne doivent pas être stockés dans un bâtiment, un garage ou tout autre espace clos.
- Ne jamais utiliser une bouteille de propane ayant une valve, collier, pied ou bouteille endommagé.
- les bouteilles de propane rouillées ou cabossées peuvent être dangereuses et doivent être vérifiées par votre fournisseur de gaz propane.
- Veiller à utiliser une seule bouteille de gaz propane de 20 lb (9,1 kg) avec une vanne de type 1 avec cet appareil comme requis par l'American National Standards Institute (ANSI) et le Comité de direction de l'Association Canadienne de Normalisation. Seuls les réservoirs marqués par «propane» peuvent être utilisés.
- Le réservoir d'alimentation en gaz propane doit être fabriqué et marqué conformément aux spécifications pour réservoirs de gaz propane selon le ministère des Transports des États-Unis (DOT) ou à la norme nationale du Canada, CAN/CSA-B339, relative aux bouteilles de gaz propane, sphères et tubes pour le transport des marchandises dangereuses et Commission.

# PROPANE (LP) DANGERS ET AVERTISSEMENTS

- Le réservoir de gaz propane doit avoir un dispositif énuméré pour la prévention de sur remplissage (OPD) et un QCCI de type I
- Le réservoir de gaz propane doit avoir un collier de réservoir pour protéger la valve du réservoir.
- La bouteille de gaz propane doit contenir une vanne telle que spécifié dans la norme pour bouteilles de gaz comprimé pour l'entrée et sortie de la vanne de connexion, ANSI / CGA-V-1-1977, CSA B96.
- Le réservoir de gaz propane ne doit pas tomber ou être manipulé grossièrement.
- Les réservoirs doivent être stockés à l'extérieur hors de la portée des enfants. Ne pas stocker dans un bâtiment, un garage, ou tout autre endroit fermé.
- Ne jamais ranger votre réservoir de gaz propane dans un endroit où les températures peuvent atteindre les 125 ° F.
- Ne pas ranger la bouteille de gaz propane en plein soleil ou près d'une source de chaleur ou de combustion.
- Ne jamais garder un réservoir de gaz propane rempli dans une voiture en fonctionnement ou coffre de voiture. La chaleur provoque l'augmentation de la pression du gaz, ce qui peut ouvrir la soupape de décharge et permettre au gaz de s'échapper
- Placer le capuchon de poussière sur l'extrémité de la vanne à chaque fois que le réservoir de gaz propane n'est pas utilisé. Installer le type de bouchon anti-poussière qui est fournie avec la valve du réservoir de gaz propane. D'autres types de capuchons ou bouchons peuvent entraîner une fuite de propane.
  - a. Ne pas entreposer une bouteille de gaz propane de rechange sous ou à proximité de cet appareil.
  - b. Ne jamais remplir la bouteille de gaz propane au-delà de 80%.
  - c. Si l'information contenue dans (a) et (b) ne sont pas exactement suivies, une incendie causant la mort ou des blessures graves peut se produire.
- Les bouteilles de gaz propane doivent être remplies par un fournisseur de gaz de LP certifié.
- Le régulateur de pression est réglé pour 11 pouces de colonne d'eau (pression).
- La pression de gaz d'entrée maximale pour cette table de feu en plein air est de 14 pouces de pression de la colonne d'eau.
- Ne jamais tenter d'attacher cet appareil au système de gaz LP autonome à une remorque de camping, caravane ou maison.
- Toujours utiliser l'ensemble de régulateur de pression et tuyau fourni avec l'appareil pour toute connexion à une bouteille de gaz propane. Ne jamais connecter à une alimentation en gaz propane non réglementée. Veuillez contacter ELEMENTI.
- Manuellement tourner la vanne de commande manuelle de gaz. Ne jamais utiliser d'autres outils. Si la vanne ne tourne pas à la main, ne pas essayer de le réparer. Appeler un technicien gazier certifié. L'utilisation de la force ou toute tentative d'autoréparation peut provoquer un incendie ou une explosion.

## **Connexion de votre bouteille de gaz**

Avant la connexion, assurez-vous qu'il n'y a pas de débris dans la tête de la bouteille de gaz, la tête de la vanne de régulation ou dans la tête des orifices du brûleur et du brûleur. Raccorder la vanne de régulation et serrer à la main fermement. Déconnecter la bouteille de gaz à partir de la soupape de régulation lorsque la table d'incendie n'est pas en cours d'utilisation. NE PAS obstruer l'écoulement d'air de combustion et de l'air de ventilation du brûleur.



# REPLACEMENT ET ASSEMBLAGE DU TUYAU ET DU RÉGULATEUR

1. Ce foyer est équipé d'un tuyau de gaz propane standard et régulateur comprenant le raccordement du côté appareil pour un CGA No 791 Connexion périphérique cylindrique. Le tuyau de gaz propane et régulateur fourni avec cette table d'incendie doivent être utilisés. Un seul tuyau et un régulateur spécifié par le fabricant peuvent être utilisés pour le remplacement.
  - a. La connexion CGA no 791 incorpore un dispositif de flux magnétique limité dispositif pour imiter le flux de gaz si une fuite est détectée entre le régulateur et la soupape du brûleur.
  - b. Si la soupape du brûleur est ouverte avant l'ouverture de la vanne de la bouteille de gaz propane, l'appareil va interpréter le flux de gaz comme une fuite.
  - c. Le dispositif de sécurité de connexion permettra de réduire le flux de gaz du régulateur de l'appareil à un niveau minimal.
  - d. Assurez-vous que la vanne de commande du brûleur est fermée avant l'ouverture de la bouteille de gaz de propane pour assurer que la vanne qui gère la mutation ne se déclenche pas par erreur.
  - e. Si la connexion au dispositif de limitation est déclenché par erreur, fermer la bouteille de gaz propane À l'aide de la soupape de service et la soupape du brûleur, attendre 10 secondes pour permettre au dispositif de réinitialiser, ouvrir la soupape de service de cylindre, puis ouvrir la soupape du brûleur et allumer la cheminée selon les instructions d'allumage.
2. Assurez-vous de protéger le tuyau de toute surface chaude. Un grave danger peut se produire si le tuyau est en contact avec toute surface chaude
3. L'entretien régulier du tuyau et du régulateur:
  - a. Inspecter le tuyau avant chaque utilisation de la table de feu. Si le tuyau montre des signes de fissures, abrasions, coupures ou dommages de toute nature, ne pas faire fonctionner l'appareil. Fixer ou remplacer le tuyau si besoin avant d'utiliser l'appareil. Pour de l'aide à la réparation ou le remplacement de tuyau, appeler ELEMENTI.  
Utilisez uniquement des pièces de rechange provenant du fabricant.
  - b. Inspecter le joint d'étanchéité à l'intérieur du CGA Aucune valve 791 de service sur la bouteille de gaz propane lors du remplacement du cylindre ou au moins une fois par an. S'il n'y a aucune indication de dommage, faire remplacer le sceau par un marchand de gaz certifié avant de faire fonctionner l'appareil.
4. Ne pas utiliser des outils pour serrer l'écrou CGA no 791 sur la vanne de la bouteille de gaz propane . Serrer à la main uniquement.
5. Veiller à ne pas entrecroiser les fils sur la connexion lors du serrage de la connexion CGA n ° 791 à la vanne de service de la bouteille de gaz propane.
6. Le "Test de fuite" doit toujours être effectué après la fixation de la connexion à la bouteille de gaz propane vanne de service. (Voir la section de ce manuel "Recherche de fuites" à la page 32)
7. Pour le raccordement du tuyau et le régulateur du réservoir de GPL, reportez-vous à la section "Connexion" de la section de la bouteille de gaz propane ci-dessus.

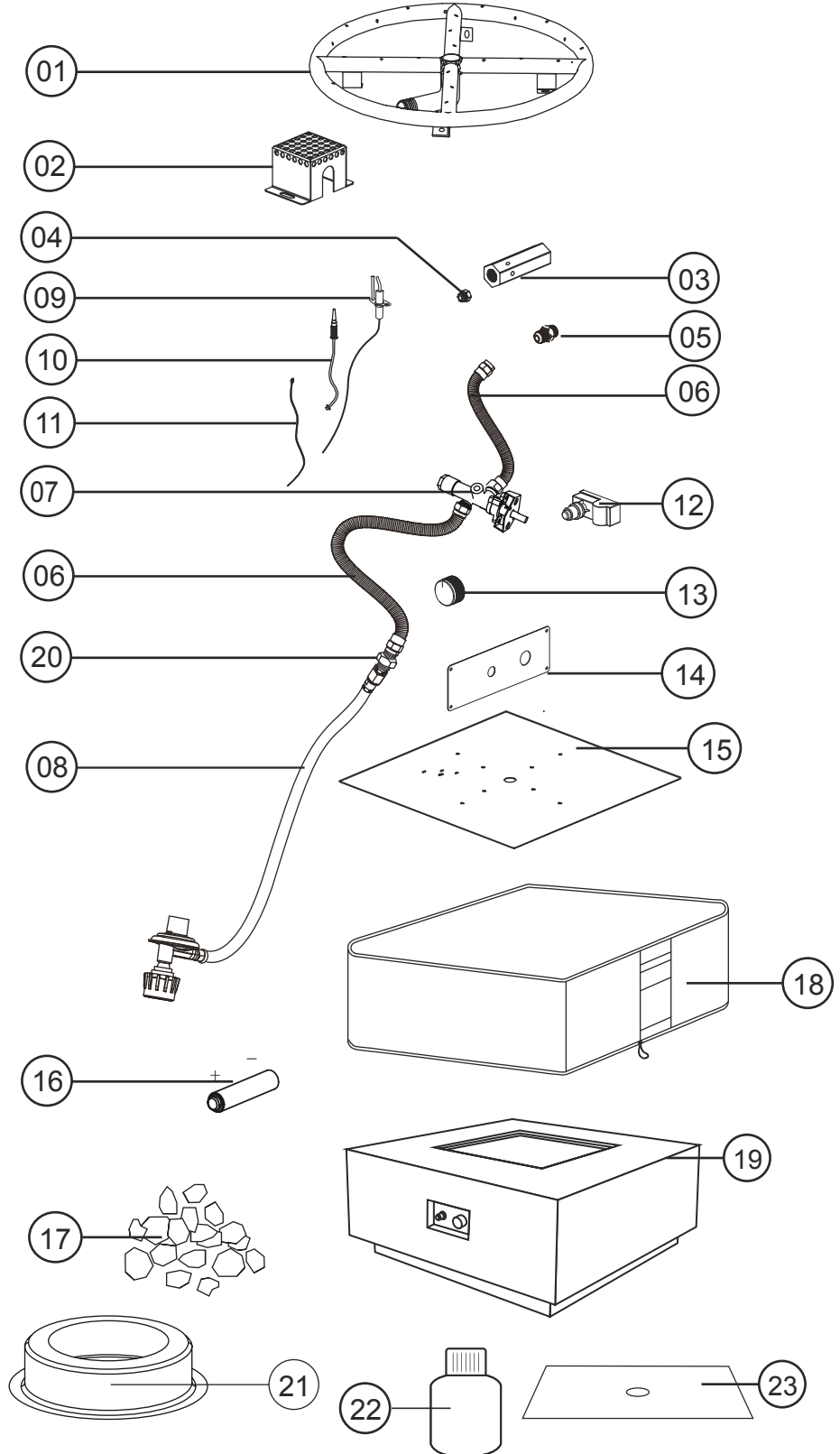
# LISTE DES PIÈCES

Article	Image	La description	Quantité
01		Brûleur	1 pièce
02		Boîtier pilote	1 pièce
03		Tube venturi	1 pièce
04		Orifice	1 pièce
05		Porte-orifice	1 pièce
06		Tuyau ondulé	2 pièces
07		Soupape	1 pièce
08		Régulateur et tuyau Porpane	1 pièce
09		Électrode	1 pièce
10		Thermocouple	1 pièce
11		Fil de terre	1 pièce
12		Allumeur d'étincelle	1 pièce
13		Bouton de controle	1 pièce
14		Panneau de commande	1 pièce
15		Plaque de brûleur	1 pièce
16		Batterie	1 pièce
17		Verre feu	13.5 kgs
18		Couvrir	1 pièce
19		Corps de table de feu	1 pièce
20		Raccord en laiton	1 pièce
21		Siège de réservoir	1 pièce
22		Coulis de réparation	1 pièce
23		Couvrir	1 pièce



## AVERTISSEMENT

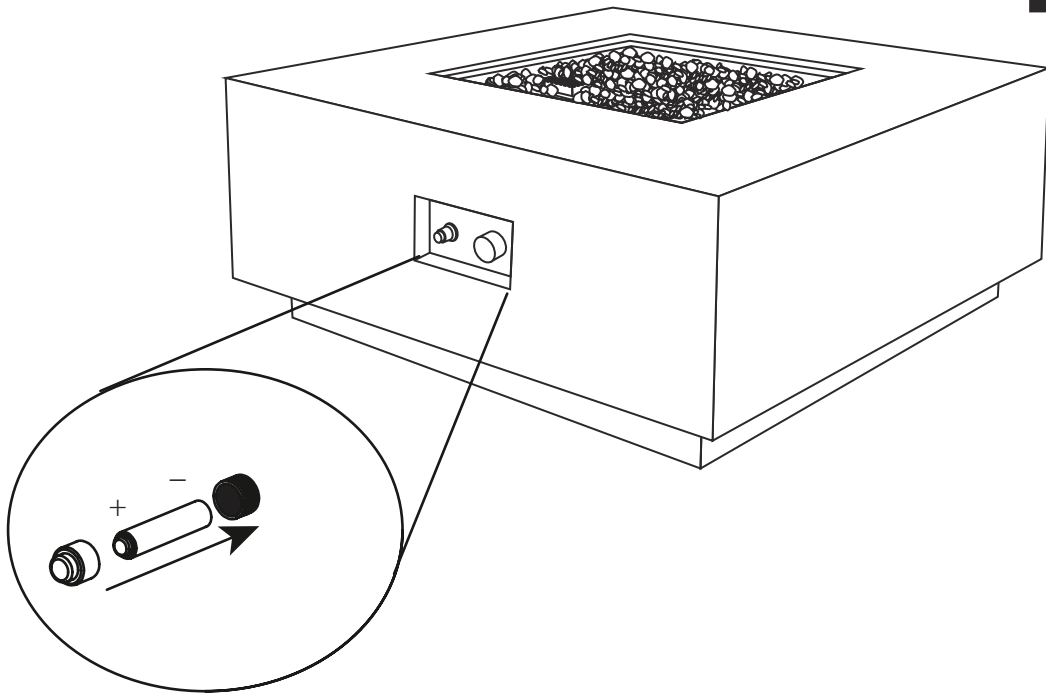
Pour toute assistance technique, pièces de rechange ou pièces manquantes, appeler ELEMENTI pour le support technique.



# INSTRUCTIONS DE MONTAGE

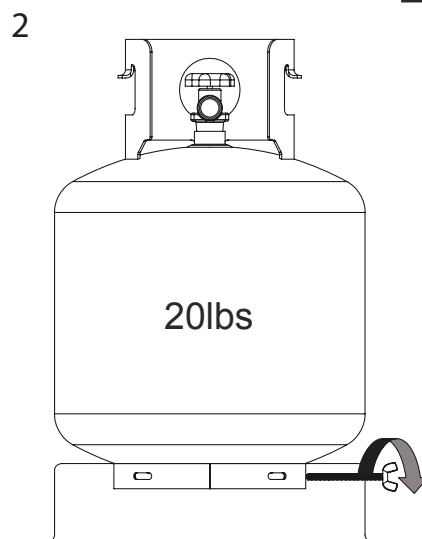
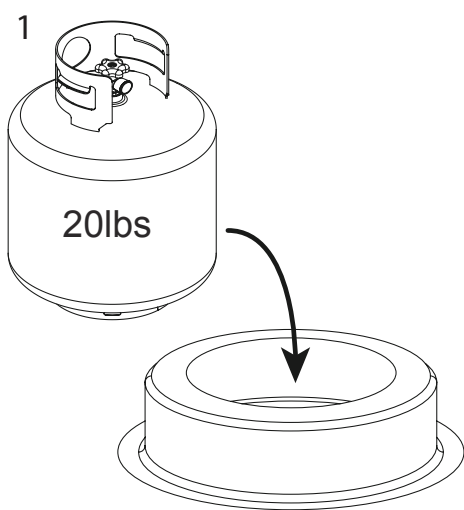
# 1

Installer la batterie AAA, comme indiqué dans le schéma ci-dessous.  
Batterie inclus.



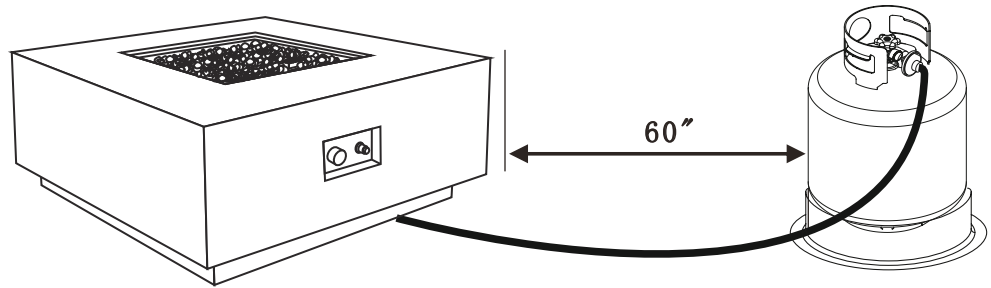
1. Placez le siège du réservoir sur le sol et placez un réservoir de propane de 20 lb dans le siège du réservoir.
2. Serrez la vis sur le côté du siège du réservoir pour fixer le réservoir de propane.

# 2



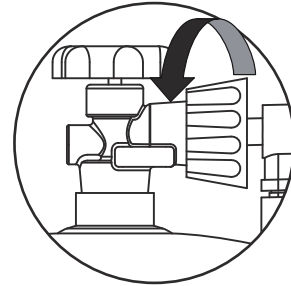
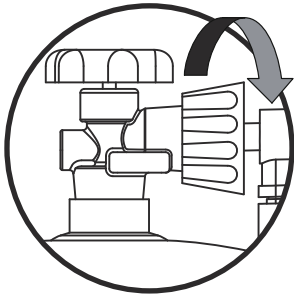
# INSTRUCTIONS DE MONTAGE

# 3



## AVERTISSEMENT

Le foyer doit être à 60 pouces du réservoir d'essence. Faites attention au risque de basculement!



### Connecter la bouteille à gaz Propane

Assurez-vous qu'il n'y a pas de débris dans la tête du réservoir de gaz propane ou dans la tête de la soupape de régulation.

Vérifier le brûleur ainsi que les orifices du brûleur.

Raccorder la conduite de gaz dans le réservoir en tournant le bouton dans le sens horaire.

Serrez à la main seulement

### Déconnecter le réservoir de gaz propane.

Assurez-vous que la valve sur le réservoir de gaz propane est en position OFF.

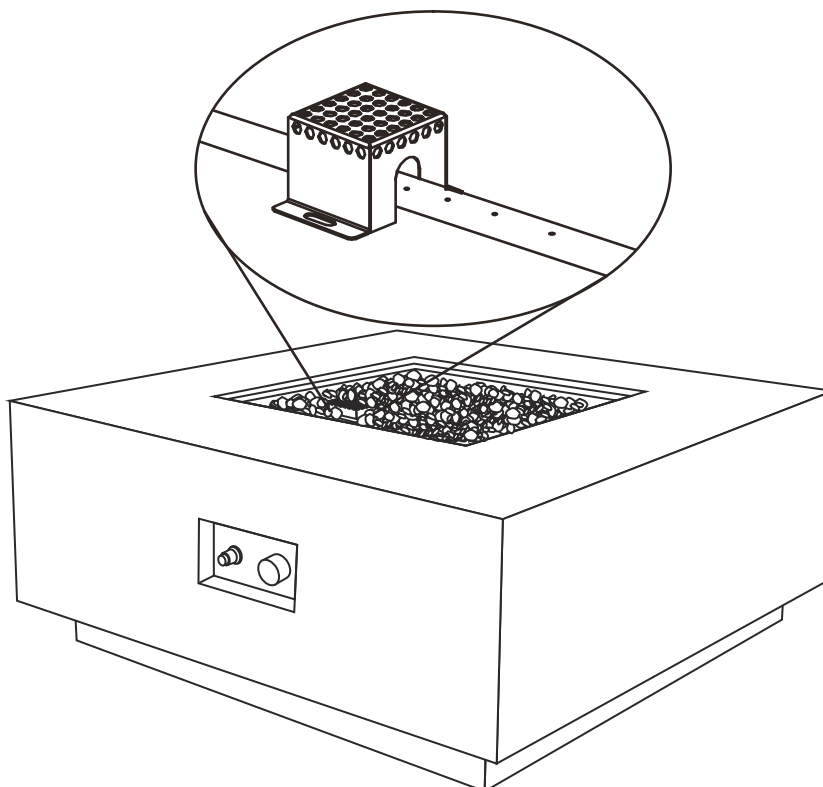
Déconnecter en tournant le bouton dans le sens horaire jusqu'à ce qu'elle se détache de la valve.

Fourni avec un dispositif de prévention de remplissage excessif; et muni d'un dispositif de connexion de cylindre compatible avec la connexion de l'appareil.

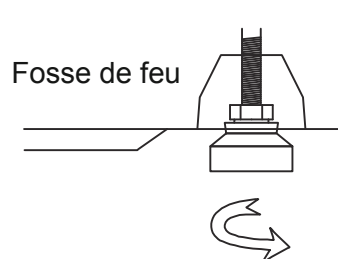
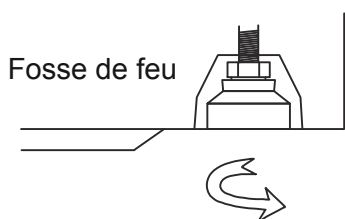
# INSTRUCTIONS DE MONTAGE

# 4

Mettez des gants et placez le verre à feu à la main. NE PAS vider le sac dans le plateau pour éviter d'obstruer le brûleur avec de la poussière. Placez le verre à feu à un niveau d'environ 0,5" au-dessus du haut du brûleur. Assurez-vous de ne pas obstruer le boîtier de l'allumeur avec une vitre coupe-feu pour assurer un bon allumage.



Des pieds réglables ont été installés au fond de la fosse à incendie. Veuillez ajuster la hauteur des pieds pour s'assurer que tous les puits d'incendie sont toujours au même niveau, ou augmenter la hauteur du compteur d'incendie comme votre choix Favoritisme. Assurez-vous d'être en sécurité jusqu'à ce que vous ayez terminé.



# INSTRUCTIONS DE PRE-USAGE



## AVERTISSEMENT

Avant d'utiliser cette table de feu en plein air, assurez-vous que vous avez lu, compris et suivis toutes les informations prévues dans la section Informations de sécurité importantes de ce manuel. Le non-respect de ces instructions peut entraîner la mort, des blessures graves ou des dommages matériels.

Avant chaque utilisation du foyer à gaz, vérifiez à travers l'orifice de vérification visuelle situé sur le côté de la base que les tuyau et soupape n'ont pas d'usures.

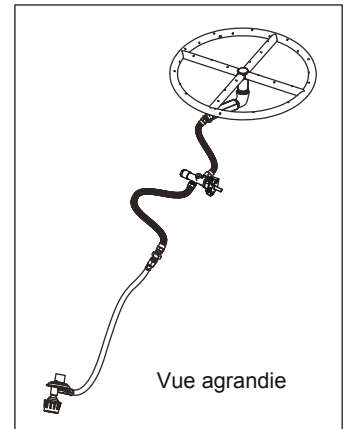
## CONNEXIONS AUX BRULEUR

S'assurer que les régulateurs et tuyaux soient correctement rattachés au brûleur et au réservoir. Si votre appareil a été assemblé pour vous, vérifiez visuellement la connexion entre le tuyau brûleur et l'orifice. Assurez-vous qu'ils correspondent.



## AVERTISSEMENT

Ne pas inspecter cette connexion ou suivre ces instructions pourrait provoquer un incendie ou une explosion. Le fait de ne pas positionner les pièces conformément à ces schémas ou de ne pas utiliser uniquement des pièces spécifiquement approuvées avec cet appareil peut entraîner des dommages matériels ou des blessures.



Veuillez-vous référer au schéma pour une installation correcte.

Si le tuyau du brûleur ne repose pas au ras de l'orifice, Veuillez contacter Elementi pour le support technique.

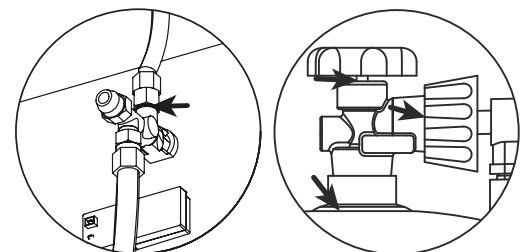
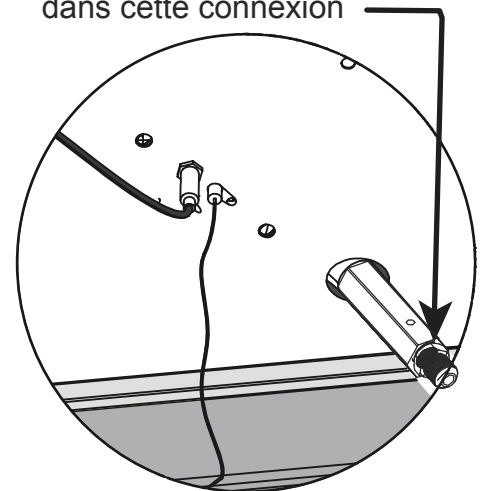
## VERIFICATION DES FUITES

Faire un contrôle d'étanchéité en mélangeant 1 quantité de savon liquide avec 3 quantités d'eau dans un flacon pulvérisateur. Assurez-vous que le bouton de commande est à la position "OFF". Ensuite, tournez le réservoir de gaz propane à la position "ON" au niveau de la soupape.

Pulvériser la solution testeur de fuite sur les connexions de la vanne en payant une attention particulière aux zones indiquées par les flèches. Si des bulles apparaissent, tourner le réservoir de gaz à la position OFF, reconnectez et refaire le test. Si vous continuez à voir des bulles après plusieurs tentatives, débrancher la source de gaz propane et contactez ELEMENTI pour assistance.

Si aucunes bulles n'apparaissent après une minute, tourner le réservoir à la position OFF, essayez la solution et procédez.

Orifice est situé dans cette connexion




Vérifiez les fuites à ces endroits

# INSTRUCTIONS D'ALLUMAGE

## ÉCLAIRAGE

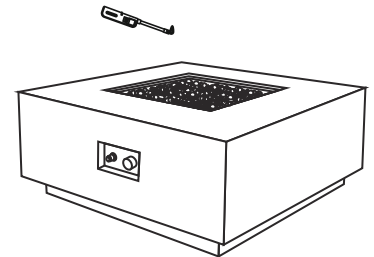
1. Lire les instructions avant d'allumage.
2. Le bouton de commande doit être dans la position « OFF ».
3. Connecter la bouteille de propane (Voir le Manual), ouvrir lentement la soupape de la bouteille de gaz PL.
4. Pousser et retenir le bouton d'allumage pour produire des étincelles.
5. Tout en tenant le bouton d'allumage d'une main, avec l'autre main, pousser et tourner le bouton de contrôle en position «LOW» pour allumer le brûleur.
6. Si l'allumage ne se produit pas dans les 5 secondes, poussez et tournez le bouton de commande sur «OFF», attendez 5 minutes et laissez le gaz se dissiper.
7. Une fois le brûleur allumé, continuez à maintenir le bouton enfoncé pendant 20 secondes et relâchez-le.
8. Observer la flamme, vous assurer que tous les orifices du brûleur sont allumés. La hauteur des flammes ne devrait pas dépasser 22 pouces.
9. Régler la hauteur de la flamme désirée avec le bouton de commande.



 **Le non - respect des procédures d'éclairage décrites dans ces instructions peut entraîner un incendie ou une explosion. Causer des dommages matériels, des blessures corporelles ou des pertes en vies humaines. Gardez le verre coupe-feu couvert et assurez-vous qu'il est sec avant de l'allumer.**

## L'utilisation d'allumette ou de briquet

1. Avant d'allumer, utilisez une pelle pour déplacer le verre à feu pour accéder au brûleur.
2. Porter des gants résistants à la chaleur, positionner l'allumette ou le briquet près du brûleur. NE PAS se pencher sur la table de feu tout en allumant!
3. Tourner le bouton de commande dans le sens antihoraire, en position "LOW".
4. Retirer l'allumette ou le briquet.
5. Après l'allumage, utiliser une pelle et des gants résistant à la chaleur pour bien positionner de nouveau les pierres de lave, et remplacer le panneau de verre.
6. Après l'allumage, tourner le bouton de commande du brûleur dans le sens horaire en position "Low". Observer la flamme, assurez-vous que tous les orifices du brûleur sont allumés. La hauteur de flamme ne doit pas être supérieure à 22 pouces.
7. Régler la hauteur de la flamme désirée avec le bouton de commande.



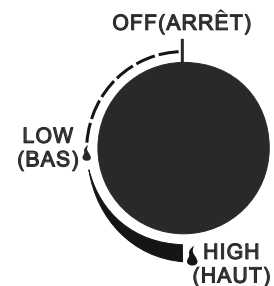
## AVERTISSEMENT

Lorsque vous utilisez cette méthode pour éclairer votre table de feu, utilisez des gants résistant à la chaleur et suivez les instructions étape par étape. Ne pas les suivre pourrait entraîner des blessures graves.

## AVERTISSEMENT

Bouton de commande Si la flamme de brûleur s'éteint pendant l'opération, tourner immédiatement le bouton de commande en position "OFF" et laisser le gaz s'effacer pendant au moins 5 minutes avant de tenter de rallumer la table de feu.

Veillez -vous référer à la page de dépannage pour une assistance supplémentaire, en commençant à la page 37.



## ÉTEINDRE

1. Tourner et pousser le bouton de commande dans le sens horaire à la position « OFF ».
2. Tournez le robinet de la bouteille sur la cuve de gaz dans le sens horaire pour fermer.



# ENTRETIEN ET NETTOYAGE

## Contrôle

Cette table de feu pour usage en plein air doit être inspectée régulièrement pour assurer que le produit est sécuritaire et pour prolonger sa durée de vie.

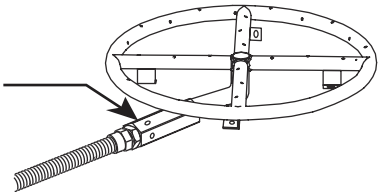


## AVERTISSEMENT

NE PAS faire l'inspection de ce foyer extérieur avant qu'il ne soit COMPLÈTEMENT éteint.

1. Vérifiez le brûleur pour vous assurer qu'il est bien en place.
2. Vérifiez le tube de mélangeur d'air pour vous assurer qu'il est net et vidé de tous types d'insectes, des nids d'araignées et d'autres débris (voir l'image).
3. Vérifiez toutes les connexions de gaz pour détecter les fuites.
4. Vérifier le système d'allumage pour assurer une bonne formation d'étincelles.
5. Vérifiez les composants pour détecter tout dommage, rouille ou usure excessive.
6. En cas de dommage d'un des composants détecté, NE PAS utiliser l'appareil jusqu'à ce que les réparations appropriées ont été apportées.

mélangeur d'air



## AVERTISSEMENT

NE PAS tenter à démonter cet appareil. Ceci est dangereux et annulera la garantie. Toute pièce jugée défectueuse doit être remplacée par un représentant approuvé, confirmé par le fabricant. Veuillez contacter Elementi pour le support technique.

## Entretien et nettoyage

Ce foyer extérieur doit être nettoyé régulièrement pour assurer une utilisation sûre et prolonger la vie du produit. Remarque: Après une utilisation répétée, une légère décoloration des finitions peut apparaître.

### Table

1. Essuyez les surfaces extérieures avec un savon à vaisselle doux ou du bicarbonate de soude, puis rincer avec de l'eau.

### Acier inoxydable

1. Pour le nettoyage général, utiliser de l'eau chaude, du savon, de l'ammoniac, ou un détergent appliquer avec un chiffon doux ou de l'éponge
2. Pour les empreintes digitales ou traces, utiliser du nettoyant et poli pour acier inoxydable 3M, Arcal 20, Lac-O-Nu, LuminWash, O'Cedar Crème polonaise, ou Stainless Shine, ce qui fournira des barrières pour réduire au minimum les empreintes.
3. Pour les taches tenaces, utiliser du nettoyant et poli pour acier inoxydable 3M, Allchem Concentrated Cleaner, Samae, Twinkle, Cameo Copper Cleaner, Liquid Nu Steel, Copper's or Revere Stainless Steel Cleaner, appliquer avec un chiffon doux dans le même sens des lignes de polissage.
4. Lors de l'utilisation dans des environnements à l'air salé, nous recommandons de nettoyer toutes les surfaces en acier inoxydable au moins toutes les deux semaines pour maintenir l'article en parfait état. L'acier inoxydable résiste à la corrosion, mais il n'est pas imperméable à la rouille. L'exposition à l'air salé et aux embruns causera la rouille de surface si vous ne prenez pas soin de vos produits correctement. La meilleure chose à faire pour protéger l'acier inoxydable est de le nettoyer fréquemment.

\* L'utilisation de dénominations est destinée uniquement à indiquer un type de nettoyant et ne constitue pas une approbation. Omission de tout propriétaire nettoyant ne signifie pas son inefficacité. Tous les produits doivent être utilisés en stricte conformité avec les instructions sur l'emballage.

### Rangement



## AVERTISSEMENT

NE PAS déplacer ou entreposer cette table-foyer tant que le feu ne soit COMPLÈTEMENT éteint et que la table soit froide au toucher.

1. Couper le gaz au raccord de réservoir. Retirer le réservoir et entreposer dans un endroit frais et sec à l'extérieur, à l'écart des enfants.
2. Retirez délicatement la charge de la pierre de lave et des composants de magasin pour les protéger contre toute rupture.
3. TOUJOURS couvrir votre table à feu extérieure lorsqu'elle n'est pas utilisée.
4. Conserver dans un endroit frais et sec, loin des enfants et des animaux.

# ENTRETIEN ET NETTOYAGE

Veillez consulter ci-dessous les recommandations relatives à l'entretien de la surface de votre foyer pendant des années d'utilisation prolongée:

- Nettoyez immédiatement tout déversement pour éviter que les surfaces ne se tachent de manière permanente ou endommagent votre foyer.
- Éponger tout liquide renversé avec un chiffon propre et sec pour éviter que le déversement ne se répande sur le reste du foyer.
- Le nettoyage immédiat des taches Le transfert de taches sur les taches empêche également l'absorption de telles taches / renversements dans les surfaces, par rapport à celles laissées pendant des périodes prolongées sur ces surfaces.

Comment appliquer un scellant à base d'eau:

- 1, Ce foyer extérieur doit être entretenu régulièrement (normalement 6 mois) pour garantir une utilisation en toute sécurité et prolonger la durée de vie du produit.
- 2, s'il vous plaît assurer tout traitement avec sans poussière. Essuyez les scellants sur la surface du béton avec un chiffon doux, puis essuyez le résidu une fois que la surface du béton est complètement sèche.

Comment nettoyer la surface de votre table à feu / cuvette à feu:

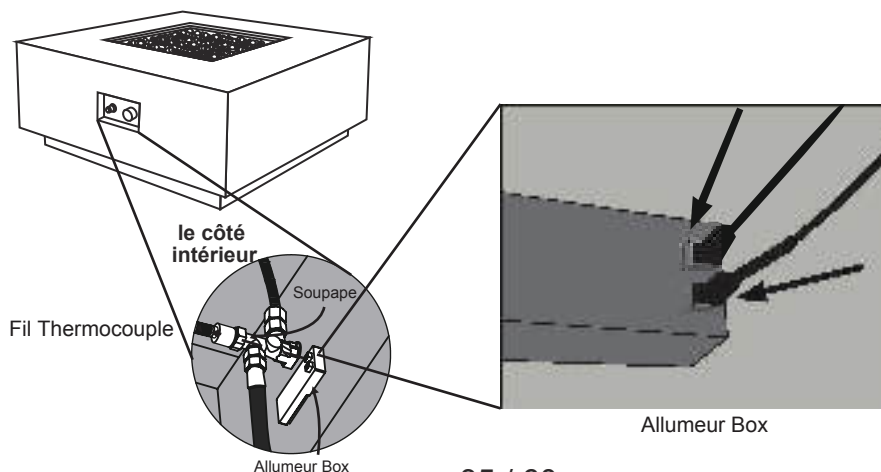
- 1, mélanger un savon à vaisselle doux dans de l'eau propre et chaude, utiliser un chiffon doux et propre ou une éponge ..
- 2, Ensuite, enlevez la saleté, les taches ou les déversements légers en surface.
- 3, rincer toute la solution de savon des surfaces avec un chiffon humide.
- 4, séchez complètement avec un chiffon sec pour éviter les taches d'eau / traces d'eau.
- 5, le nettoyage régulier de la surface du foyer contribuera à la longévité du produit.

- NE PAS utiliser de produits de nettoyage à base de pétrole ou abrasifs.
- N'UTILISEZ PAS de brosses dures / éponges rugueuses lors du nettoyage des surfaces du foyer.
- NE faites PAS glisser les produits sur la (les) surface (s) du foyer pour éviter les égratignures et / ou dommages permanents.
- NE placez AUCUN aliment sur la (les) surface (s) du foyer.
- NE MANGEZ PAS de la ou des surfaces de la surface du foyer.
- La surface du foyer doit être couverte à tout moment lorsqu'elle n'est pas utilisée.
- Couvrez votre produit lorsqu'il n'est pas utilisé pour le protéger des éléments.
- Rangez votre produit à l'intérieur pendant les mois d'hiver.
- Éviter les températures extrêmement froides, car des températures extrêmement froides peuvent provoquer la fissuration du plateau.

# COMPOSITIONS DU GAZ ET CONNEXION

Si le brûleur ne s'allume pas ou reste allumé, effectuer les contrôles suivants.

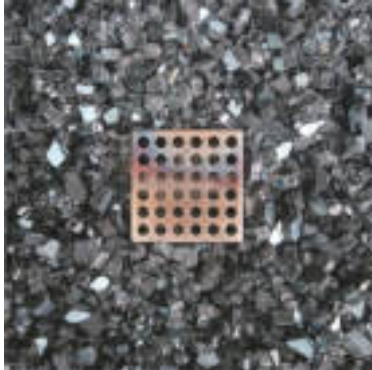
1. S'assurer que le fil électrode est correctement raccordé. Les deux fil-électrodes doivent être entièrement insérés dans l'amorceur.



# COMPOSITIONS DU GAZ ET CONNECTION

2. Assurez-vous que le boîtier de pilote est dégagé.

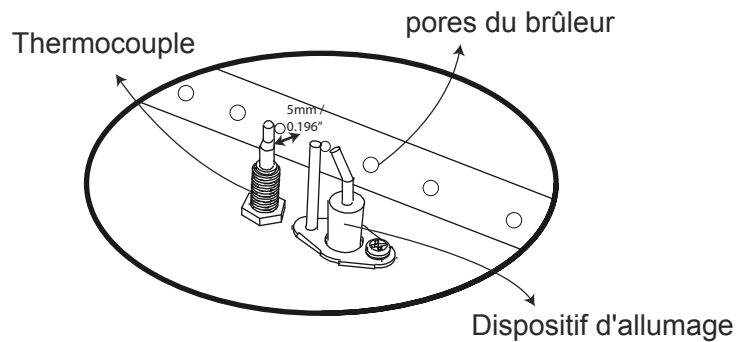
Effacer tous les débris sur le dessus du boîtier pilote et assurez-vous qu'il n'y a pas de débris entre le dispositif d'allumage, du thermocouple et le tube de brûleur.



**CORRECT**



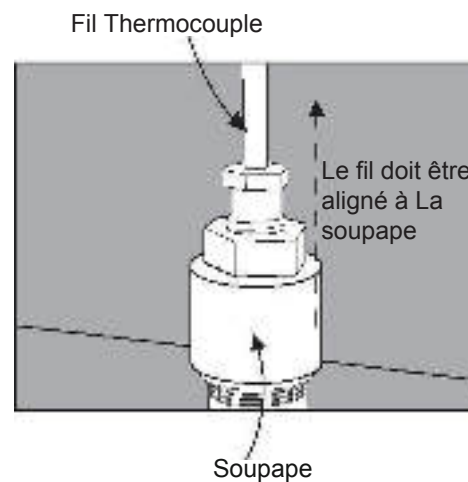
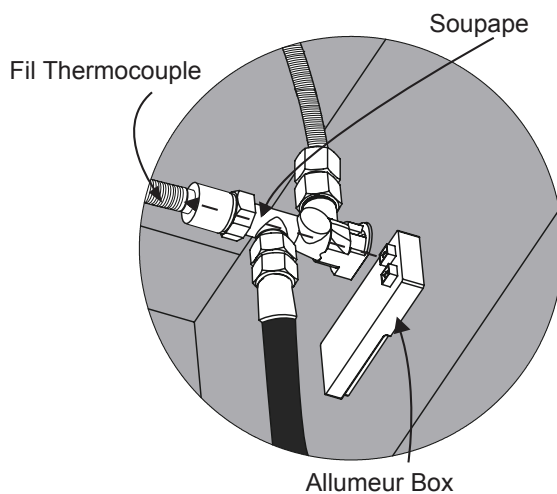
**INCORRECT**



3. Assurez-vous que le dispositif d'allumage et le thermocouple sont correctement positionnés.

- La broche allumeur doit être dirigée directement vers le thermocouple.

- Le thermocouple doit être placé à une distance de 5mm / 0.196" du tube de brûleur.



4. Assurez-vous que le fil de thermocouple est correctement positionné. Le fil du thermocouple doit être aligné avec la vanne.

# DÉPANNAGE

## Problème: Le brûleur ne se rallume pas en utilisant l'allumeur.

**Cause possible 1:** Electrodes et brûleurs sont humides. Sècher avec un chiffon sec.

**Cause possible 2:** La batterie de l'allumeur est morte ou placée à l'envers.

-Vérifier que la batterie AAA est correctement insérée dans l'allumeur (voir page 29) ou remplacer la batterie.

**Cause possible 3:** La broche d'allumeur est fissurée ou cassée – des étincelles à la fissure.

Veillez contacter Elementi pour le support technique.

**Cause possible 4:** Câble desserrée ou déconnectée.

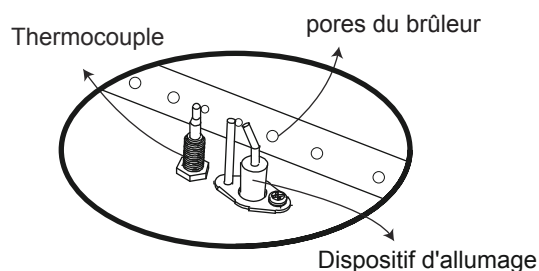
-Référence Page 35, étape 1, rebrancher le câble. Veillez contacter Elementi pour le support technique.

**Cause possible 5:** Court-circuit (étincelles) entre le dispositif d'allumage et l'électrode.

Veillez contacter Elementi pour le support technique.

**Cause possible 6:** Mauvais dispositif d'allumage.

Veillez contacter Elementi pour le support technique.



## Problème: Le brûleur ne s'allume pas avec une allumette

**Cause possible 1:** Pas de circulation de gaz.

-Vérifiez si la bouteille de gaz propane est vide. Si elle est vide, remplacer et remplir. Si la bouteille de gaz propane n'est pas vide, voir "Problème: Baisse soudaine de flux de gaz" à la page suivante.

**Cause possible 2:** L'écrou de couplage et le régulateur ne sont pas entièrement connectés.

-Tourner l'écrou de couplage d'environ un demi à trois quarts d'un tour supplémentaire, jusqu'à ce que vous sentez un arrêt solide. Ne pas utiliser des outils, serrer à la main seulement.

**Cause possible 3:** Circulation de gaz obstruée

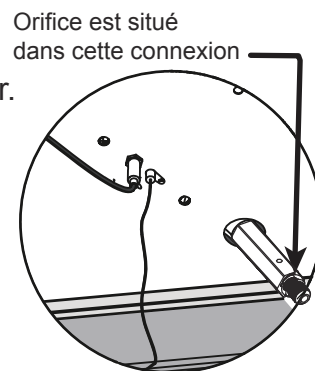
- Vérifier s'il n'y a des tuyaux courbés ou pliés.

**Cause possible 4:** toiles d'araignée ou nids d'insectes dans le mélangeur d'air.

- Nettoyer le mélangeur d'air.

**Cause possible 5:** Orifices du brûleur obstrués ou bloqués.

-Référence "Problème: motif de flamme irrégulière" indiqué en page suivante. Nettoyez les orifices du brûleur comme décrit dans cette partie.



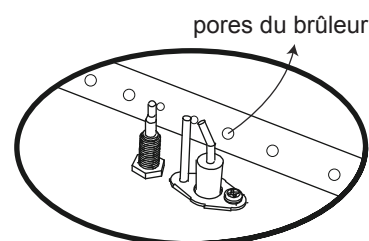
## Problème: La table de feu émet beaucoup de fumée noire pendant son utilisation.

**Cause possible 1:** Le tuyau du foyer à gaz est pincé.

-S'assurer que le tuyau ne soit pas coincé entre la table de feu et la source de gaz.

**Cause possible 2:** la flamme est obstruée dans les ports du brûleur.

-Assurez-vous que les orifices de gaz sur le brûleur sont libres de tout verre réfractaire pour que la flamme puisse couler naturellement.



# DÉPANNAGE

## **Problème: Chute soudaine du débit de gaz, ou une hauteur de flamme réduite**

### **Cause possible 1: Pas de gaz.**

Recharger votre réservoir de GPL.

### **Cause possible 2: un excès du dispositif de sécurité de flux peut avoir été activé.**

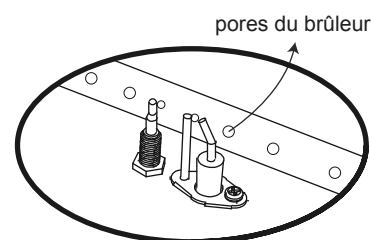
Tourner la commande en position "OFF", attendre 30 secondes et allumer la table de feu. Si les flammes sont encore trop faible rajuster le dispositif de sécurité excessif en désactivant le bouton de commande et en fermant la vanne du réservoir de gaz. Déconnecter les régulateurs. Tourner le bouton de commande du brûleur en position "HIGH". Attendre 1 minute. Mettre la commande en position OFF. Rebrancher le régulateur et effectuer une vérification de fuite au niveau du raccord du réservoir. Activer lentement la vanne du réservoir de gaz, attendre 30 secondes et allumer la table de feu.

## **Problème: Flamme irrégulière, flamme ne couvrant pas le brûleur en entier**

### **Cause possible: Les orifices du brûleur sont obstrués ou bloqués.**

–Nettoyer les orifices du brûleur. Pour ce faire, insérer un trombone dans chacun des orifices du brûleur pour assurer qu'ils ne sont pas obstrués

**AVERTISSEMENT:** Assurez-vous que le brûleur ne marche pas et que l'alimentation en gaz a été correctement déconnectée. Prévoyez 15 minutes pour l'équipement de se refroidir avant de le toucher.



## **Problème: Extinction de la flamme**

### **Cause possible: Les orifices du brûleur sont obstrués ou bloqués.**

–Nettoyer les orifices du brûleur. Pour ce faire, insérer un trombone dans chacun des orifices du brûleur pour assurer qu'ils ne sont pas obstrués

**AVERTISSEMENT:** Assurez-vous que le brûleur ne marche

## **Problème: Flame semble perdre de la chaleur lors de la combustion dans les intempéries à froid température inférieure à 50 ° C**

**Cause possible 1:** De la glace s'est formée à l'extérieur du réservoir de gaz propane car le processus de vaporisation est trop faible.

-Tourner le bouton de commande et le réservoir de gaz propane en position "OFF". Remplacez-le par un réservoir de secours de gaz propane et reprendre l'allumage. Placer le réservoir de rechange dans un endroit bien aéré, hors de portée des enfants.

# GARANTIE

Ocean rock USA INC. faisant affaire avec Elementi, garantit que les caractéristiques d'incendie et accessoires Elementi sont exempts de tout défaut de pièces et de fabrication, en utilisation normale et de service pour une période de 1 an à compter de la date d'achat. Dans le cas de tels défauts Elementi, aura à réparer ou remplacer le produit défectueux. Ce qui précède est à la discrétion d'Elementi.

Il n'y aura pas de frais pour les pièces de rechange ou d'un produit, mais le consommateur aura la responsabilité de retourner le produit au lieu d'achat.

Elementi ne sera pas responsable des dommages indirects en sus du prix d'achat du produit sur lequel cette responsabilité est basée et la garantie ne couvre pas les coûts, y compris le frais, l'enlèvement et la réinstallation.

Cette garantie est non transférable et s'applique uniquement pour les unités qui sont à des fins et usage personnel non commercial.

D'après ce contrat de garantie, toutes les lignes de gaz doivent être installées par un installateur de gaz agréé.

Les dommages causés par le transport maritime, la décoloration et les abus ne sont pas couverts par cette garantie. De même les bosses et les égratinures, la décoloration et l'altération naturelle ne sont pas couverts par cette garantie. La roche décorative n'est pas couverte par cette garantie. Une mauvaise installation, la réparation ou modifications apportées par une personne autre que Elementi annulera cette garantie et tout dommage causé par ce dernier ne seront plus couverts par cette garantie.

Déchetage mineures, non résistance aux intempéries, taches d'eau et les fissures non structurelles sont typiques au matériau de ce produit et ne sont pas couverts par cette garantie. Certaines couleurs et texture peuvent varier, ce qui est typique au matériau et la finition pour ce produit ; ces détails ne sont pas couverts par cette garantie.



# ELEMENTI

THE ART OF LIVING

**ELEMENTI U.S.  
Ocean Rock USA INC.**

692 Parkridge Ave.  
Norco, CA 92860 USA  
[www.elementifire.com](http://www.elementifire.com)  
[info@elementifire.com](mailto:info@elementifire.com)  
Tel.: 800-678-7294

**ELEMENTI Canada  
Backyard Lifestyles Ltd.**

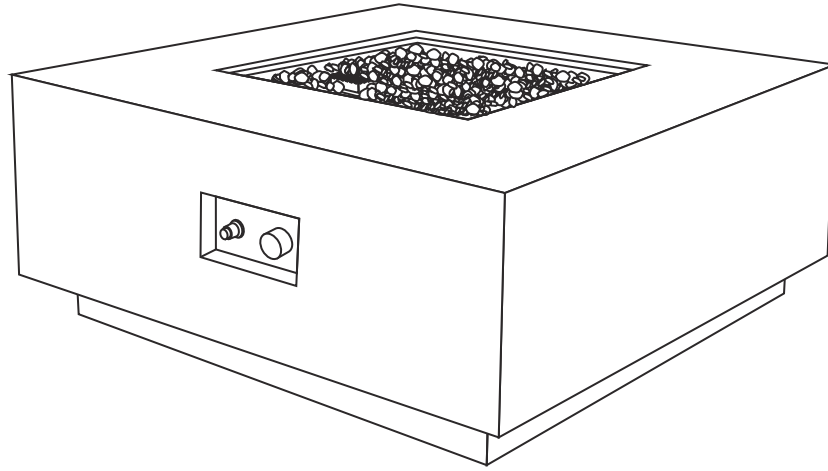
570 Applewood Cres, Unit 2  
Concord, ON  
L4K 4B4, Canada  
[info@backyardlifestyles.ca](mailto:info@backyardlifestyles.ca)  
[www.backyardlifestyles.ca](http://www.backyardlifestyles.ca)  
Tel.: 905-761-8930



# ELEMENTI



THE ART OF LIVING



OFG413LP

VICTORIA Fire Table / BERGEN Fire Table

Manual del Propietario

Tipo de gas: Propano



## IMPORTANTE

**INSTALADOR:** Deje este manual con el aparato.

**CONSUMIDOR:** Conserve este manual para futuras referencias.



## ADVERTENCIA

• Si no sigue exactamente la información contenida en este manual, puede producirse fuego o una explosión pudiendo causar daño a la propiedad o incluso la muerte.

• La instalación y mantenimiento deben ser realizados por un técnico capacitado, una empresa de mantenimiento o el proveedor de gas.

• Instalación, ajustes, modificaciones, servicio o mantenimiento impropio puede causar heridas personales o daños a la propiedad.

• Lea las instrucciones de instalación, operación y mantenimiento detenidamente antes de instalar o dar servicio a este equipo.

• Guarde estas instrucciones para futuras referencias. Si esta ensamblando esta unidad para otra persona dele este manual para que lo lea y lo guarde.



## ADVERTENCIA

**No almacene o utilice gasolina u otros líquidos inflamables con vapores en las cercanías de este dispositivo.**

**No guarde un cilindro de gas propano líquido de reserva en las cercanías de este dispositivo.**



## DANGER

**PELIGRO DE INCENDIO O EXPLOSIÓN**

Si huele a gas:

- Corte el suministro de gas del dispositivo.
- Apague cualquier llama encendida.
- Si el olor continúa, abandone el área inmediatamente.
- Después de salir del área, llame a su proveedor de gas o al departamento de bomberos.

El no seguir estas indicaciones pueden causar la muerte, lesiones graves o daños a la propiedad.



## ADVERTENCIA



Únicamente para uso al aire libre.


La instalación y el servicio deben ser realizados por un instalador calificado, una agencia de servicio o el proveedor de gas.



# ÍNDICE

Informaciones de seguridad importantes-----	43
Propano (LP) Peligros y advertencias -----	45
Instalación y sustitución de la manguera y el regulador-----	47
Listado de partes-----	48
Instrucciones de ensamblado -----	49
Instrucciones de encendido-----	53
Cuidado y limpieza -----	54
Revisiones del componente del gas-----	55
Solución de problemas-----	57
Garantía -----	59

 <b>PELIGRO</b>	<b>PELIGRO DEMONÓXIDO DE CARBONO PELIGRO</b>
	<p>Este dispositivo puede producir monóxido de carbono, el cual es inodoro .</p> <p>Su uso en espacios cerrados puede producir la muerte.</p> <p>Nunca use este dispositivo en espacios cerrados como una tienda, carpas o casa.</p>

 <b>ADVERTENCIA:</b> Este producto puede exponerle a Dióxido de Carbono, del que es sabido por el Estado de California como causante de defectos en el nacimiento y otros daños reproductivos. Para más información visite: <a href="http://www.P65Warnings.ca.gov">www.P65Warnings.ca.gov</a> .
---

# INFORMACION IMPORTANTE DE SEGURIDAD



## ADVERTENCIA

LA MESA DE FUEGO ES PARA USO EXCLUSIVO DE EXTERIOR

### SI USTED HUELE GAS:

- Apague el suministro de gas a la mesa de fuego.
- Apague cualquier llama encendida.
- No intente encender ningún dispositivo.
- No toque ningún interruptor eléctrico; no utilice ningún teléfono en su edificio.
- Llame inmediatamente a su proveedor de gas desde el teléfono de un vecino.
- Siga las Instrucciones del proveedor de gas.
- Si no puede contactarse con el proveedor de gas, llame a la estación de bomberos.

La instalación y reparación debe ser realizada por un técnico de servicio calificado. El aparato debe ser inspeccionado antes de su uso y al menos una vez por una persona de servicio calificada. Limpieza más frecuente puede ser requerida según sea necesario. Es imperativo que el compartimiento de control, los quemadores y el aire en circulación Los pasillos del aparato se mantienen limpios.

• **Advertencia:** El no seguir las precauciones y advertencias dadas por el departamento de bomberos puede resultar en serias lesiones corporales, la muerte o en un fuego u explosión que cause daños a la propiedad.

• **Aviso Importante:** Lea y comprenda todas las advertencias y precauciones antes de ensamblar o usar su mesa de fuego. La instalación, ajuste, alteración, servicio o mantenimiento impropios pueden causar lesiones o daños a la propiedad.

• **Aviso:** El uso e instalación de este producto debe cumplir con los códigos locales, o en ausencia de códigos locales con el Código Nacional de Gas Combustible, ANSI Z223.1 • NEPA 54; Código de Gas Natural de Combustible; Código de instalación de gas natural y propano, CSA B149.1; o código de almacenamiento y manejo de propano B149.2; Este aparato cumple con ANSI Z21.97-2017 • CSA2.41-2017 Aparatos de Gas Decorativos al Aire Libre.

• **Distancia mínima entre la unidad y los materiales combustibles:**

72 "(182.9cm) menos la altura del artefacto desde la parte superior;

48 "(121.9 cm) desde todos los lados y hacia atrás.

- No situé esta mesa de fuego debajo de ningún lugar cerrado.
- La presión mínima de suministro de gas de entrada: 25 PSI.
- La presión máxima de suministro de gas de entrada: 250 PSI.
- Guarde estas instrucciones para futuras referencias. Si está ensamblando esta unidad para otra persona, entregue este manual a esa persona para futuras referencias.
- Esta mesa de fuego es para uso exclusivo de exteriores en un espacio conveniente ventilado y NO debe usarse dentro de un edificio, garaje o cualquier otro tipo de espacio cerrado.
- NO UTILICE esta mesa de fuego de exteriores para calefacción. Vapores tóxicos de monóxido de carbono pueden acumularse y causar asfixia.
- NUNCA DEJE esta mesa de fuego desatendida mientras esté en funcionamiento.
- Los niños deben ser alertados sobre los Peligros que involucran superficies a altas temperaturas y deben ser mantenidos a una distancia segura mientras la mesa de fuego este en uso.
- NO almacene o use gasolina u otros vapores y líquidos inflamables dentro de una distancia de 25 pies (7.62m) de este dispositivo.
- NO almacene materiales combustibles en el compartimiento de la base.
- El consumo de alcohol o drogas prescritas o no prescritas puede afectar la capacidad de un individuo para ensamblar o utilizar de manera segura esta mesa de fuego para exteriores.
- Las instrucciones contienen la información importante necesaria para el montaje e instalación adecuados Uso seguro del equipo.
- lea y siga todas las advertencias e instrucciones antes de montar y utilizar el equipo.
- Siga todas las advertencias e instrucciones al utilizar este dispositivo.
- Si faltan instrucciones o piezas, llame al ELEMENTI para soporte técnico.

# INFORMACION IMPORTANTE DE SEGURIDAD

- NO USE en una atmósfera explosiva. Mantenga el área de la mesa de fuego a gas limpia y libre de materiales combustibles, gasolina y otros vapores inflamables y líquidos.
- Esta mesa de fuego NO debe ser operada por niños. Los niños deben ser supervisados cuando se encuentren en la cercanía de esta mesa de fuego de exteriores.
- Esta mesa de fuego de exteriores no debe ser instalada o utilizada dentro o encima de vehículos recreativos y/o botes.
- Utilice siempre de acuerdo con los códigos locales, estatales y nacionales aplicables. Contacte su departamento de bomberos local para más información sobre la quema al aire libre.
- Utilice siempre las mismas precauciones que usted utilizaría con cualquier fuente de fuego al usar esta mesa de fuego de exteriores.
- NO queme en esta mesa de fuego de exteriores combustibles sólidos tales como: madera, briquetas de carbón, carbón en trozos, leña prefabricada, madera flotante, basura, hojas, papel, papel cartón, madera contrachapada, madera pintada, teñida o tratada a presión en esta mesa de fuego de exteriores.
- NO utilice esta mesa de fuego de exteriores hasta que esté completamente ensamblada y todas sus partes ajustadas y aseguradas.
- NO almacene otro tanque de gas propano líquido dentro de un radio de 10 pies (3.05m) mientras esta mesa de fuego de exteriores esté en funcionamiento.
- NO utilice esta mesa de fuego de exteriores cerca de automóviles, camiones, minibuses o vehículos recreacionales.
- NO utilice esta mesa de fuego de exteriores bajo ninguna estructura cerrada o cerca de construcciones combustibles sin protección. Evite su utilización cerca o bajo arbustos o árboles colgantes.
- Utilice siempre esta mesa de fuego de exteriores sobre una superficie nivelada dura y no combustible, como concreto, roca o piedra. No es aceptable una superficie de asfalto o asfaltada para estos propósitos.
- NO utilice esta mesa de fuego de exteriores si cualquier parte ha estado bajo el agua. Llame inmediatamente a un servicio técnico cualificado para que inspeccione la mesa de fuego de exteriores y reemplace cualquier parte o sistema que haya estado bajo el agua.
- NO vista ropa inflamable o suelta cuando esté utilizando esta mesa de fuego de exteriores.
- NO utilice en condiciones climáticas de vientos fuertes.
- Mantenga todo el cable eléctrico alejado de la mesa de fuego de exteriores cuando esté caliente.
- Ciertas áreas de la mesa de fuego de exteriores al utilizarse se calientan demasiado al tacto. No toque las superficies calientes hasta que se haya enfriado el dispositivo, a menos que esté usando un equipo de protección adecuado como agarradores de recipientes o guantes resistentes al calor para evitar quemaduras.
- NO cuelgue o coloque vestuario u otros materiales inflamables en o cerca de la mesa de fuego a gas.
- Cualquier protector u otro dispositivo de protección retirado por el servicio de la mesa de fuego deben ser reemplazados antes de hacer funcionar la mesa de fuego.
- NO intente mover o almacenar la mesa de fuego de exterior hasta que todas sus partes se encuentren frías.
- NO se apoye en esta mesa de fuego de exteriores mientras la encienda o utilice.
- Use solo el regulador y la manguera de ensamblaje proporcionada. El repuesto del regulador y la manguera de ensamblaje deberá ser la especificada por el fabricante.
- NO intente desconectar el regulador del gas del tanque o cualquier conexión de gas de la mesa de fuego de exteriores mientras esta se encuentra en uso.
- Siempre apague el suministro de gas desde la válvula del tanque y desconecte el regulador del tanque cuando la mesa de fuego no se encuentre en uso.
- NO se siente en la parte superior cuando la unidad ad este en uso.
- NO lance nada al fuego mientras la unidad se encuentre en funcionamiento.
- Los vidrios de fuego están muy calientes; Mantenga a los niños y las mascotas a una distancia segura.
- Es esencial mantener el compartimiento de la válvula de gas, los quemadores y los pasajes de ventilación de la mesa de fuego de exteriores limpios y despejados. Inspeccione la mesa de fuego de exteriores antes de cada uso.

# INFORMACION IMPORTANTE DE SEGURIDAD

- Antes de cada operación de la mesa de fuego revise la manguera en búsqueda de señales de desgaste excesivo, mirando a través del orificio de inspección visual. Si la manguera se encuentra desgastada, cortada o con grietas, debe ser reemplazada antes de usar la mesa de fuego a gas. La manguera de ensamblaje solo puede ser reemplazada por la especificada por el fabricante.
- Antes de cada uso, retire el vidrio de fuego, examine el quemador y sus componentes. En caso de estar sucios, limpie con un cepillo suave y una solución de agua con jabón. Examine el área alrededor del quemador, cualquier suciedad o material extraño como telarañas o nidos de pájaros deben ser retirados. Si es evidente que el quemador se encuentra dañado la mesa de fuego no debe ser usada. El quemador original no puede ser reemplazado. Llame al ELEMENTI para soporte técnico.
- Coloque la manguera fuera de lugares donde la gente pueda tropezar. No coloque la manguera en lugares donde pueda ser sometido a daño accidental.



## ADVERTENCIA

Esta mesa de fuego de exteriores usa gas propano líquido (LP) solamente. La conversión o intento de uso de gas natural en este dispositivo es peligroso y puede resultar en lesiones serias o daño a la propiedad.

ATENCIÓN: Cualquier alteración a la mesa de fuego de exteriores no especificada en el manual anulara la garantía del producto.

# GAS PROPANO (LP) PELIGROS Y ADVERTENCIAS

## Gas LP

El gas LP es inflamable y peligroso si es manejado inapropiadamente. Infórmese sobre las características antes de usar cualquier producto que utilice gas LP.

## Características del Propano

- Inflamable, explosivo bajo presión, más pesado que el aire y se acumula en las zonas bajas.
- En su estado natural el propano no tiene olor. Para su seguridad, un odorante ha sido añadido.
- El contacto con el propano puede causar quemaduras a la piel.
- El gas propano es extremadamente inflamable y peligroso si es manejado de forma inapropiada.

## Advertencias del Gas LP

- Los cilindros deben ser almacenados en el exterior en un lugar bien ventilado fuera del alcance de los niños.
- Los cilindros desconectados deben tener los tapones de válvulas roscados instalados fijamente y no deben ser almacenados en un edificio, garaje u otra área cerrada.
- Nunca use un cilindro de propano con un cuerpo, válvula, rosca o base dañada.
- Los cilindros de propano abollados u oxidados pueden ser peligrosos y deben ser revisados por el proveedor de gas propano.
- Asegúrese de solo usar un cilindro de gas LP de 20 libras (9.1 kg) con el tipo de válvula de Tipo 1 para este dispositivo, como es requerido por el Instituto Nacional Americano de Estándares (ANSI) y el Comité Directivo de los Estándares de Canadá (Canadian Standards Steering Committee). Solo los tanques marcados bajo el nombre de "Propano" pueden ser usados.
- El tanque de suministro de gas LP debe ser construido y marcado de acuerdo con las especificaciones para el gas LP del Departamento de Transporte de los Estados Unidos o el Estándar Nacional de Canadá, CAN/CSA-B339, Tanques de gas, cilindros, esferas y tubos para el transporte de mercancías peligrosas.

# GAS PROPANO (LP) PELIGROS Y ADVERTENCIAS

- El tanque de gas LP debe poseer un sensor de prevención sobrecarga (OPD) y un QCCI o Tipo I. El tanque de gas LP debe tener una perilla para proteger la válvula del tanque.
- El cilindro de gas LP debe contener una válvula de cerrado como se ha especificado en los estándares para válvulas salidas y entradas de gas comprimido, ANSI/CGA-V-1-1977, CSA B96.
- El cilindro de gas LP no debe ser manejado de manera brusca, debe caerse.
- Los tanques deben ser almacenados al aire libre, fuera del alcance de los niños. NO almacene en edificios, garajes u otros espacios cerrados.
- Nunca almacene su tanque de gas LP donde las temperaturas puedan superar los 125°F.
- No almacene los cilindros de gas LP bajo la luz directa del sol, ni cerca de alguna fuente de calor o combustión.
- Nunca mantenga un tanque de gas LP lleno en la cajuela de un vehículo o camión caliente. La temperatura puede causar que la presión del gas aumente, lo que podría abrir la válvula y permitir que el gas escape.
- Coloque la tapa contra el polvo sobre la válvula de salida cuando el tanque de gas LP no esté en uso. Solo utilice la tapa contra el polvo que se entrega junto a la válvula de gas LP. Otro tipo de tapas pueden causar fugas del gas propano.
  - a. No almacene restos de gas propano debajo o cerca de este dispositivo.
  - b. Nunca llene el cilindro de gas propano más allá del 80%.
  - c. Si la información provista en (a) y (b) no es seguida de manera exacta, esto podría ocasionar muertes o lesiones graves por incendio.
- Los cilindros de gas LP deben ser llenados solo por un proveedor de gas LP certificado.
- El regulador de presión ha sido fijado para 11 pulgadas de columna de agua (presión).
- La máxima presión de entrada para estufa de exteriores es de 14 pulgadas de columna de agua (presión).
- Nunca intente adjuntar este dispositivo al recipiente del sistema de gas propano propio de su casa móvil, casa rodante o casa.
- Siempre use el regulador de presión y la manguera ensamblada provista con el dispositivo para conectar al cilindro de gas LP. Nunca conecte a un suministro de gas propano sin regular. Póngase en contacto con ELEMENTI para obtener asistencia técnica.
- Mueva la válvula de control de gas de manera manual. Nunca utilice herramientas. En caso que la válvula no gire manualmente, no intente repararla. Llame a un técnico certificado. El uso de la fuerza o de cualquier intento de reparación puede resultar en un incendio o explosión.

## **Conectado su cilindro de gas**

Antes de conectar el cilindro de gas, asegúrese que no hay escombros atrapados en la cabeza del cilindro, en la válvula del regulador o en la cabeza o puertos del quemador. Conecte el regulador de la válvula con mano firme. Desconecte el cilindro de propano de la válvula del regulador cuando la mesa de fuego para exteriores no esté en uso. NO intente obstruir el flujo de aire de combustión y de ventilación al quemador.



# INSTALACION Y REEMPLAZO DEL REGULADOR Y LA MANGUERA

1. Esta mesa de fuego viene equipada con una manguera LP de gas estándar y un regulador incluyendo la conexión lateral para un dispositivo de conexión de cilindros CGA No 791. Solo la manguera de gas LP y el regulador proporcionados con esta mesa de fuego deben ser usados. Solouna manguera y un regulador especificados por el fabricante pueden ser usados en su reemplazo.
  - a. La conexión CGA No 791 incorpora un dispositivo que limita el flujo magnético que actúa limitando el flujo de gas en caso que sedetecte una fuga entre la válvula del quemador y el regulador.
  - b. Si la válvula del quemador es abierta antes que la válvula del cilindro de gas LP haya sido abierta, la conexión interpretara este flujo li bre como una pérdida de gas .
  - c. El dispositivo de seguridad de la conexión reducirá el flujo de gas del regulador al dispositivo a un nivel mínimo.
  - d. Asegúrese que la válvula del control del quemador este cerrado antes de abrir el cilindro de gas LP para asegurar que el flujo de la conexión no seaactivado de manera incorrecta.
  - e. En caso de que el dispositivo de limitación de flujo sea activado por error, cierre la válvula del servicio del cilindro de gas LP y la válvula del quemador, espere 10 segundos para dejarque el dispositivo se reinicie abra la válvula de servicio del cilindro, después abra la válvula del quemador, y encienda la mesa de fuego según las instrucciones de encendido.
2. Asegúrese de que se proteja la manguera de cualquier superficie caliente. El contacto con superficies calientes puede resultar en un serio daño a la manguera.
3. Mantenimiento regular de la manguera y el regulador:
  - a. Inspeccione la manguera antes de cada uso de la mesa de fuego. Si la manguera muestra signos de desgaste, grietas, cortes o daños de cualquier tipo no haga funcionar el dispositivo. Arregle o reemplace la manguera según lo requerido antes de usar el dispositivo. Para asistencia con la reparación y el reemplazo de la manguera contáctese con ELEMENTI. Use solo repuestos del fabricante.
  - b. Inspeccione el sello dentro de la válvula CGA No 791 en el cilindro de gas LP cuan do reemplace el cilindro, al menos una vez al año. De haber cualquier indicación de daño, haga reemplazar el sello por un proveedor de gas certificado antes de operar el dispositivo.
4. No utilice herramientas para apretar la tuerca de conexión CGA No 791 en la válvula de servicio del cilindro de gas LP. Hágalo solo de manera manual.
5. Tenga cuidado de no cruzar las roscas en la conexión al apretar la conexión CGA N°791 Sobre la válvula de servicio del cilindro de gasLP.
6. Un "Test de fugas debe realizarse siempre después de añadir la conexión a la válvula de servicio del cilindro de gas LP. (Véase la sección "Detectando Fugas" en este manual en la página 52)
7. Para la conexión de la manguera y el regulador al tanque LP, refiérase a la sección "conexión"del cilindro de gas LP en la sección arriba.

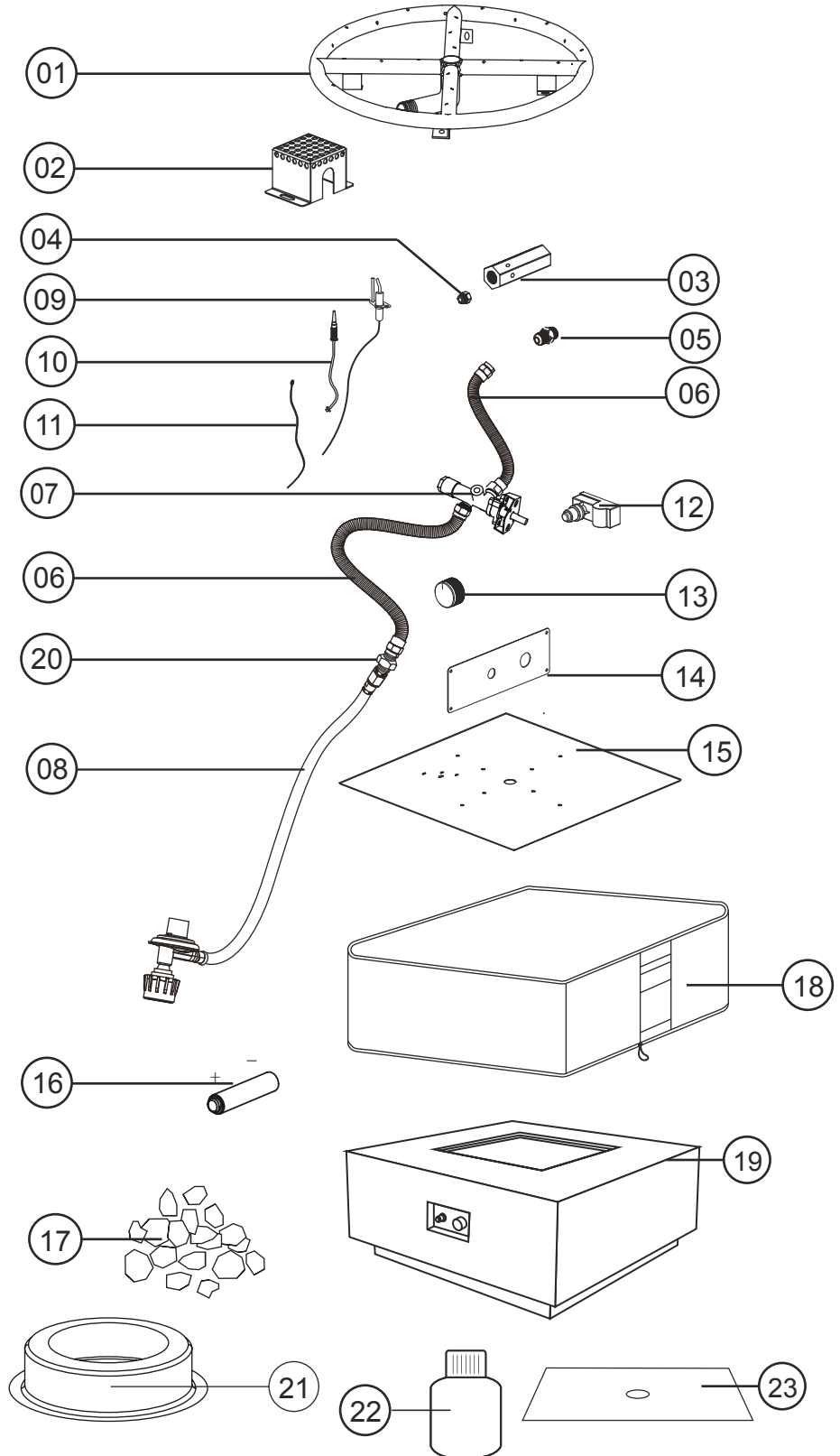


# LISTA DE PARTES

Artículo No.	Imagen	Descripción	Cantidad
01		Quemador	1 pieza
02		Vivienda piloto	1 pieza
03		Tubo venturi	1 pieza
04		Orificio	1 pieza
05		Soporte de orificio	1 pieza
06		Tubo corrugado	2 piezas
07		Válvula	1 pieza
08		Regulador y manguera porpane	1 pieza
09		Electrodo	1 pieza
10		Par termoeléctrico	1 pieza
11		Cable de tierra	1 pieza
12		Encendedor de chispa	1 pieza
13		Perilla de control	1 pieza
14		Panel de control	1 pieza
15		Sartén del quemador	1 pieza
16		Batería	1 pieza
17		Vidrio de fuego	13.5kgs
18		Cubrir	1 pieza
19		Cuerpo de la mesa de fuego	1 pieza
20		Herraje de latón	1 pieza
21	Asiento de tanque	1 pieza	
22		Reparación de lechada	1 pieza
23		Cubrir	1 pieza

## ⚠ ADVERTENCIA

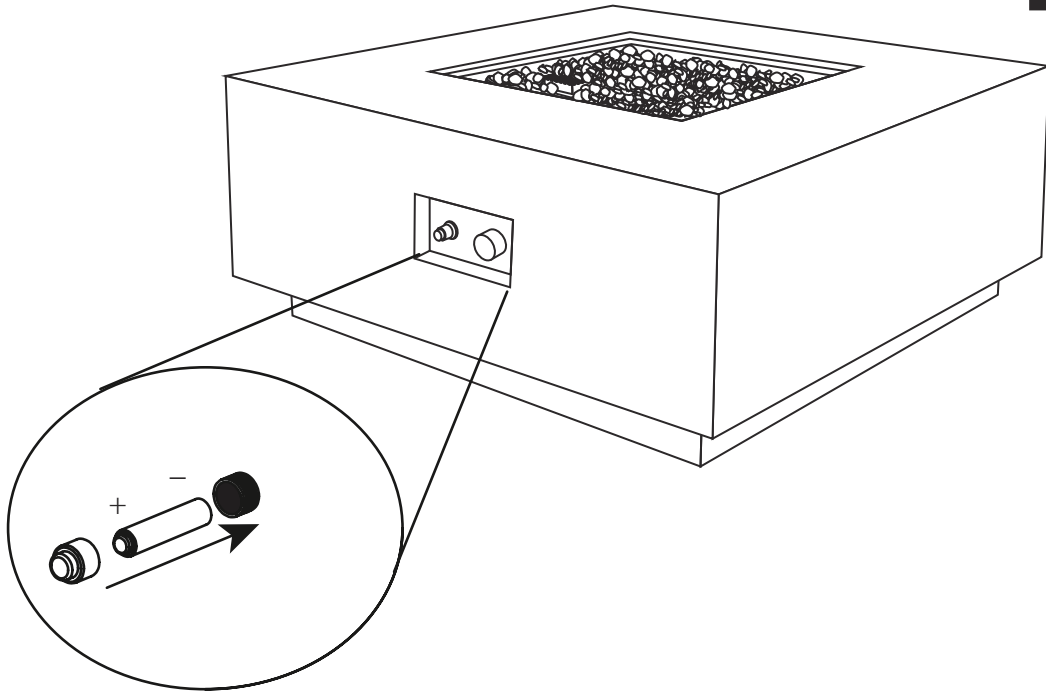
Para obtener asistencia técnica, piezas de repuesto o piezas faltantes, llame al ELEMENTI para soporte técnico.



# INSTRUCCIONES DE INSTALACION

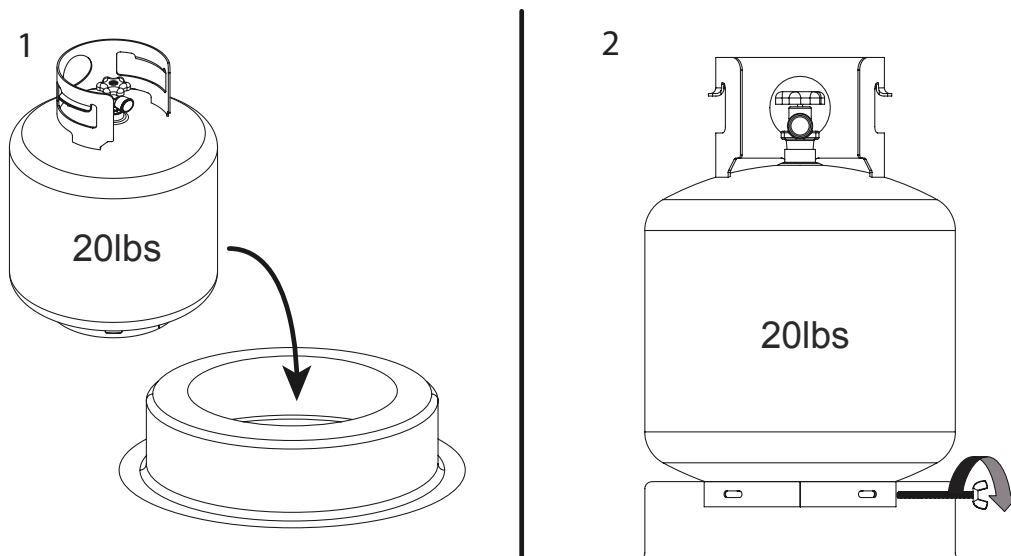
# 1

Instale la batería AAA como se demuestra en el diagrama de abajo.  
Batería no incluida.



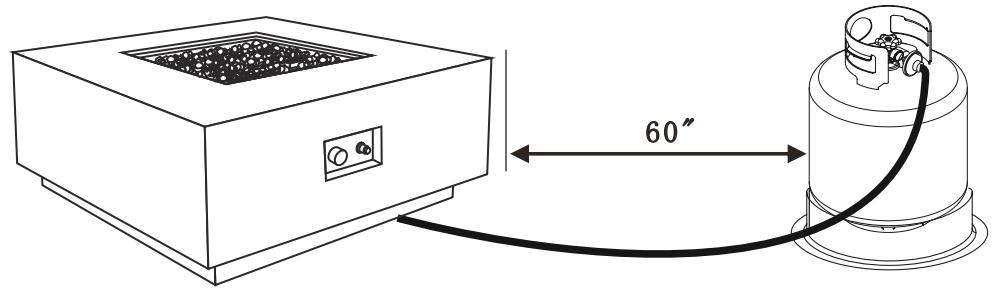
1. Coloque el asiento del tanque en el suelo y coloque un tanque de propano de 20 lb en el asiento del tanque.
2. Apriete el tornillo en el costado del asiento del tanque para asegurar el tanque de propano.

# 2



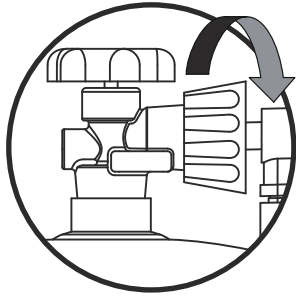
# INSTRUCCIONES DE INSTALACION

## 3



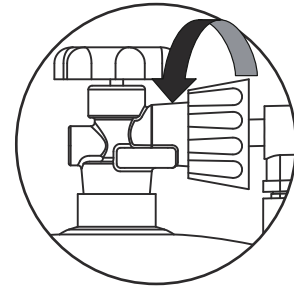
### ADVERTENCIA

El pozo de fuego debe estar a 60 pulgadas del tanque de gasolina.  
Preste atención al riesgo de vuelco!



#### Conectando el tanque de gas LP

Revise para asegurarse que no hay escombros en la cabeza del tanque de gas LP o en la cabeza de la válvula reguladora. Asegúrese de Revisar el quemador además de los puertos del quemador. Conectar la conexión del gas al tanque girando en dirección del sentido de las agujas del reloj. Solo aprietemanualmente.



#### Desconecteel tanquede gas LP

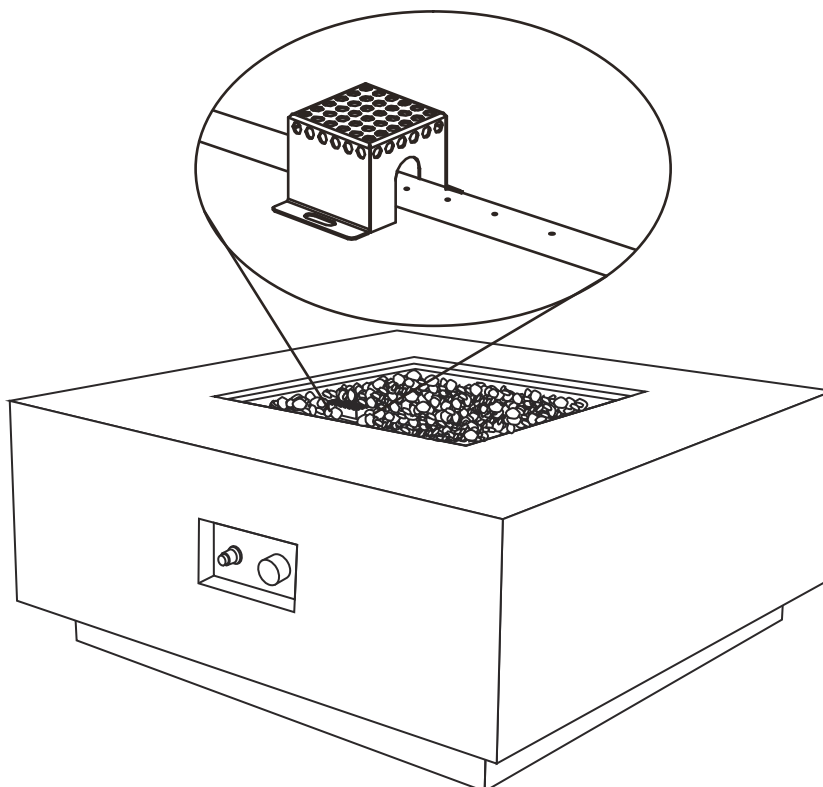
Asegúrese de que la válvula del tanque de gas LP esté apagada (OFF).  
Desconéctelo a haciendo girar en dirección contraria a las agujas del reloj, hasta que se desprenda de la válvula.

Provisto de un dispositivo de prevención de sobrellenado; Y provisto de un dispositivo de conexión del cilindro compatible con la conexión para el aparato.

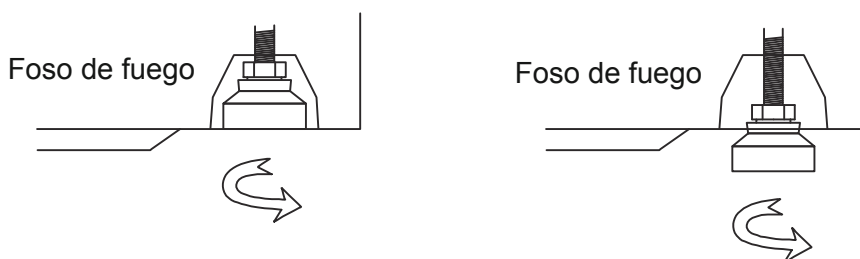
# INSTRUCCIONES DE INSTALACION

# 4

Póngase guantes y coloque el vidrio ignífugo a mano. NO arroje la bolsa en la bandeja para evitar obstruir el quemador con polvo. Coloque el vidrio de fuego a un nivel de aproximadamente 0,5 "por encima de la tapa del quemador. Asegúrese de no bloquear la caja del encendedor con vidrio ignífugo para garantizar un encendido adecuado.



Los pies ajustables están pre - instalados en la parte inferior del pozo de bomberos. Por favor, ajuste la altura Pie para asegurarse de que todos los cráteres de fuego siempre están en el mismo nivel, o aumentar la altura de la tabla de fuego como su elección Favoritismo. Asegúrese de que es altamente seguro antes de terminar.



# INSTRUCCIONES PREVIAS AL USO



## ADVERTENCIA

Antes de usar la mesa defuego para exteriores asegúrese de que haya leído, comprendido y seguido toda la información contenida en la sección de información importante de seguridad en este manual. El no seguir estas indicaciones pueden causar la muerte, lesiones graves o daños a la propiedad.

Antes de cada uso de la mesa de fuego revise la manguera y la válvula en busca indicios de abrasión o desgaste excesivo a través de un examen visual del orificio desde al lado de la base. Reemplace la tapa de inspección visual antes de encender la mesa de fuego. Ponga los implementos en su lugar previo a utilizar el dispositivo.

## CONEXIONES DEL QUEMADOR

Asegúrese que la válvula del regulador y las conexiones de la manguera estén justadas de manera segura al quemador y al tanque. En caso de que su unidad haya sido ensamblada por usted, revise visualmente la conexión entre la tubería del quemador y el orificio. Asegúrese que las tuberías del quemador calzan sobre el orificio.



## ADVERTENCIA

Falta de inspección de esta conexión o no seguir estas instrucciones podrían causar un incendio o una explosión, pudiendo causar la muerte, lesiones corporales graves o daños a la propiedad.

Por favor refiérase al diagrama para una correcta instalación. Si la tubería del quemador no queda alineada a la del orificio. Llame al ELEMENTI para soporte técnico.

## DETECTANDO FUGAS

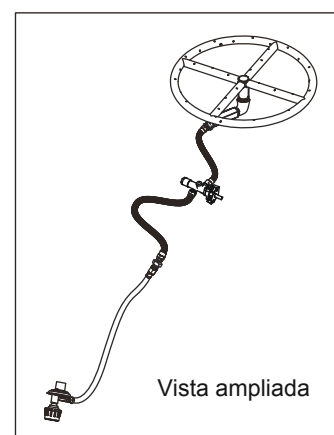
Haga una solución de detección de fugas mezclando una parte de jabón líquido de lava platos con tres partes de agua en una botella de spray. Asegúrese que la perilla del control se encuentra en apagado (OFF). Después cambie el tanque de gas LP a encendido con el botón de encendido (ON) en la válvula.

Rocíe la solución en las conexiones de las válvulas prestando especial atención en las áreas indicadas por las flechas.

En caso que aparezca cualquier burbuja, apague el tanque de gas LP con el botón de apagado (OFF), reconecte y pruebe nuevamente.

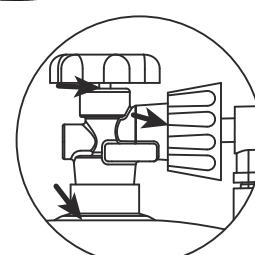
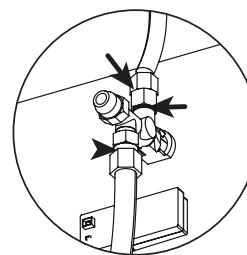
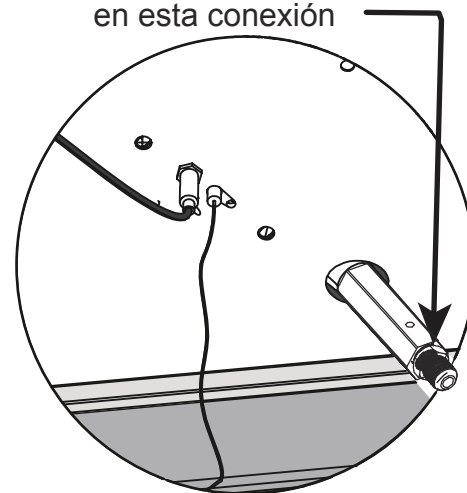
Si usted continúa viendo burbujas tras de varios intentos, desconecte el suministro de gas y llame al ELEMENTI para soporte técnico.

Si no aparecen burbujas después de un minuto, apague el tanque con el botón de apagado (OFF), limpie los residuos y continúe.



Vista ampliada

Orificio se encuentra en esta conexión



Verificar fugas en estos lugares

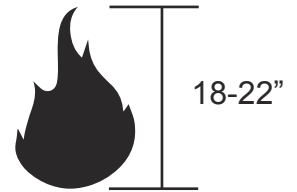
# INSTRUCCIONES DE ENCENDIDO

## Uso del encendedor

1. Lea las instrucciones antes de encender.
2. La perilla de control del quemador debe estar en la posición de APAGADO(OFF).
3. Conecte el cilindro de propano (LP) (vea las páginas anteriores). Abra lentamente la válvula del cilindro de gas LP.
4. Presione y mantenga presionado el botón de encendido para generar chispas.
5. Mientras sostiene el botón del encendedor con una mano, use la otra mano para girar el botón de control a la posición de encendido y encender el quemador.
6. Si la ignición no se produce en 5 segundos, presione y gire la perilla de control a "OFF", espere 5 minutos y permitir que el gas se disipe.
7. Una vez que el quemador esté encendido, continúe presionando la perilla por otros 20 segundos y luego suéltelo.
8. Observe la llama y asegúrese de que todos los orificios del quemador están encendidos La altura de la llama no lo hace. Debe exceder las 22 pulgadas.
9. Ajuste la llama a la altura deseada con la perilla de control.

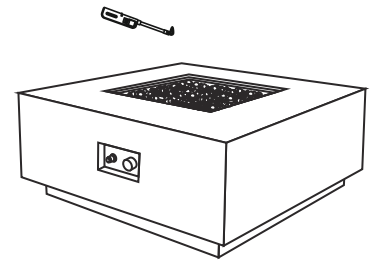


**El incumplimiento de los procedimientos de iluminación de estas instrucciones puede dar lugar a incendios o explosiones Causa pérdida de bienes, lesiones corporales o pérdida de vidas. Mantenga el vidrio ignífugo cubierto y asegúrese de que esté seco antes de encenderlo.**



## Uso de un fósforo o un encendedor largos

1. Antes de encender, use una pala para mover el vidrio de fuego para acceder al quemador.
2. Utilizando guantes resistentes al calor, ponga el cerillo o el encendedor prendido cerca de los quemadores. NO se incline en la mesa de fuego mientras enciende el dispositivo.
3. Presione y gire el control a la posición de encendido "LOW", para encender el quemador.
4. Remueva la cerilla larga o el encendedor.
5. Después de encenderlo, use una pala y guantes resistentes al calor para mover con cuidado el vidrio de fuego a su posición correcta.
6. Observe la llama, asegúrese que todos los puertos del quemador se encuentran encendidos. La altura de la llama no debería superar las 22 pulgadas de alto.
7. Ajuste la llama a la altura deseada con la perilla de control.



## ADVERTENCIA

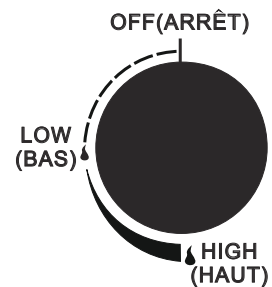
Quando utilice este método para encender su mesa de fuego utilice guantes resistentes al calor y siga las Instrucciones paso a paso. El no hacerlo puede desencadenar graves lesiones.



## ADVERTENCIA

Si la llama del quemador se apaga durante la operación, inmediatamente gire la perilla de control a la posición de apagado (OFF) y deje que el gas se disperse al menos 5 minutos antes de intentar nuevamente encender la mesa de fuego.

Por favor refiérase a la sección de solución de problemas para información adicional, empezando en la página 57.



## ILUMINACIÓN

1. Gire y empuje la perilla de control en el sentido de las agujas del reloj hasta la posición "OFF".
2. Gire la válvula del cilindro en el tanque de gas hacia la derecha para cerrar.

# CUIDADO Y LIMPIEZA

## Inspección

Esta mesa de fuego de exteriores debe ser inspeccionada regularmente para asegurar que el producto es seguro en su funcionamiento y para extender la vida útil del producto.

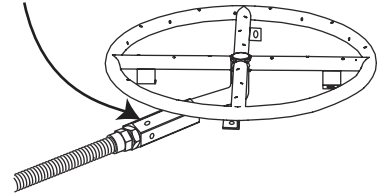


## ADVERTENCIA

NO inspeccione el dispositivo hasta que el fuego se haya extinguido.

1. Revise el quemador para asegurarse que se encuentra firmemente en su lugar.
2. Revise el tubo de mezclador de aire para asegurarse que se encuentra limpio y libre de insectos, telas de arañas y otros escombros (ver imagen).
3. Revise todas las conexiones de gas buscando fugas
4. Revise el sistema de encendido para asegurar que el chispero funcione correctamente.
5. Revise los componentes buscando cualquier signo de deterioro, óxido o cualquier desgaste excesivo.
6. Si se detecta cualquier tipo de daño en los componentes, NO utilice el dispositivo hasta que se hayan realizado las reparaciones apropiadas.

mezclador de aire



## ADVERTENCIA

NO interfiera o manipule este dispositivo. Esto es peligroso y anularía la garantía. Cualquier parte que se encuentre defectuosa debe ser reemplazada con una parte autorizada por el fabricante. Llame al ELEMENTI para soporte técnico.

## Cuidado general y limpieza

Esta mesa de fuego de exteriores debe ser limpiada regularmente para así asegurar la seguridad de su uso y extender la vida del producto.

Nota: Después de un uso extendido con el tiempo es posible que ocurra una pequeña descoloración en las terminaciones.

## Mesa

Limpie las superficies exteriores con un jabón de lavadora suave o bicarbonato de sodio, después enjuague con agua.

## Acero Inoxidable

1. Para una limpieza general utilice agua, tibia, jabón, amoníaco o detergente aplicado con un paño suave o con una esponja.
2. Para marcas dactilares o manchas utilice el limpiador y pulidor de acero inoxidable 3M, Areal 20, Lac-0-Nu, LuminWash, crema de pulir O'Cedar, o abrillantador de acero inoxidable estoproductora queminizara las huellas dactilares.
3. Para manchas persistentes y descoloración utilice, limpiador concentrado Allchem, Samae, Twinkle, limpiador de cobre Cameo, Liquido Nu Steel, R ev ere limpiador de acero inoxidabley cobre, aplicando en un paño suave siguiendo las líneas de pulido.
4. Al utilizarlo en ambientes de aire salado, recomendamos limpiar todas las superficies de acero inoxidable al menos cada dos semanas para mantener el artículo en óptimas condiciones. El acero inoxidable es resistente a la corrosión pero no es impermeable al óxido. La exposición al aire salino y al rocío del mar causará oxidación superficial si no cuida sus productos adecuadamente. Lo mejor que puede hacer para proteger el acero inoxidable es limpiarlo con frecuencia.

\* Uso de las denominaciones pretende solo indicar un tipo de limpiador y no constituye una aprobación. La omisión de alguna de las propiedades del limpiador no implica su ineficacia. Todos los productos deben usarse de acuerdo con las instrucciones en el paquete.

## Almacenamiento



## ADVERTENCIA

NO mueva o almacene esta mesa de fuego a menos que el fuego se haya extinguido completamente y se encuentre frío al tacto.

1. Apague el gas desde el tanque. Remueva el tanque y guarde en un lugar al aire libre, fresco, seco y alejado del alcance de los niños.
2. Retire cuidadosamente el relleno de las rocas y guarde los componentes de manera horizontal para evitar que se rompan.
3. SIEMPRE cubra su mesa de fuego al aire libre cuando no esté en uso.
4. Guarde en un lugar al aire libre, fresco, seco y alejado del alcance de los niños y mascotas.



# CUIDADO Y LIMPIEZA

Consulte a continuación las recomendaciones para mantener la superficie de su chimenea durante años de uso prolongado:

- Limpie cualquier derrame de inmediato para evitar manchas permanentes en la superficie o daños a su chimenea.
- Seque cualquier derrame de líquido con un paño limpio y seco para evitar la propagación del derrame al resto de la chimenea.
- La limpieza inmediata de las manchas / borrado de derrames también evita la absorción de tales manchas / derrames en las superficies, en comparación con si tales manchas / derrames se dejan durante períodos prolongados en estas superficies.

Cómo aplicar un sellador a base de agua:

- 1, esta chimenea exterior debe mantenerse regularmente (normalmente 6 meses) para garantizar un uso seguro y prolongar la vida útil del producto.
- 2, asegúrese de que todo el tratamiento esté libre de polvo. Limpie los selladores sobre la superficie del concreto con un trapo suave, luego limpie el residuo después de que la superficie del concreto se seque por completo.

Cómo limpiar la (s) superficie (s) de la mesa / hoguera:

- 1, mezcle un jabón suave para platos en agua tibia y limpia, use un paño suave y limpio o una esponja.
- 2, luego proceda a eliminar la suciedad superficial, manchas o derrames leves.
- 3, enjuague toda la solución de jabón de las superficies con un paño húmedo.
- 4, secar completamente con un paño seco para evitar manchas de agua / marcas de agua.
- 5, limpiar regularmente la superficie de la chimenea ayudará a obtener un producto más duradero.

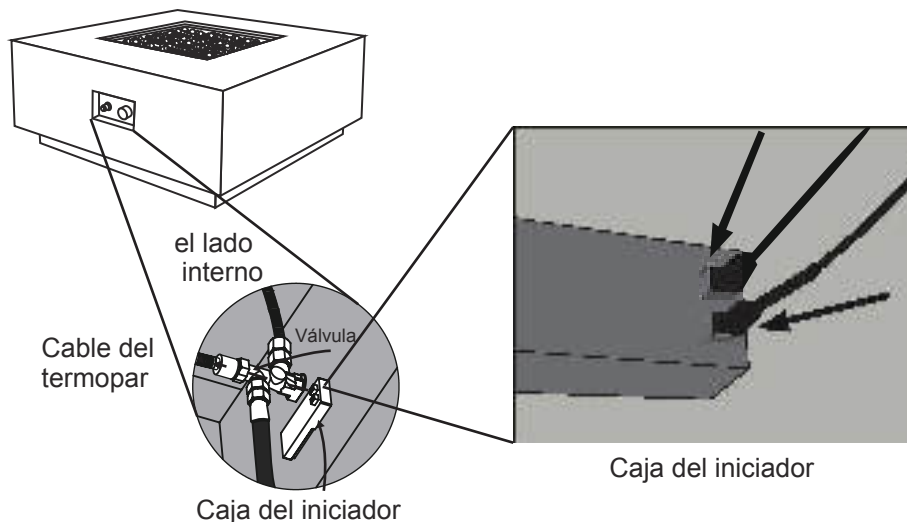
- NO use productos de limpieza a base de petróleo o abrasivos.
- NO use cepillos ásperos / esponjas ásperas cuando limpie la (s) superficie (s) de la chimenea.
- NO deslice los productos a través de la (s) superficie (s) de la chimenea para evitar arañazos o daños permanentes.
- NO coloque ningún alimento sobre la (s) superficie (s) de la chimenea.
- NO coma de la (s) superficie (s) de la superficie de la chimenea.
- La superficie de la chimenea debe estar cubierta en todo momento cuando no esté en uso.
- Cubra su producto cuando no esté en uso para protegerlo de los elementos.
- Almacene su producto en interiores durante los meses de invierno.
- Evitar temperaturas de frío extremo, ya que las temperaturas de frío extremo pueden causar grietas en la mesa.

# REVISIONES DE COMPONENTES DE GAS

Si el quemador no enciende o no permanece encendido, por favor realice las siguientes inspecciones.

1. Asegurese que el cable del electrodo esta correctamente conectado.

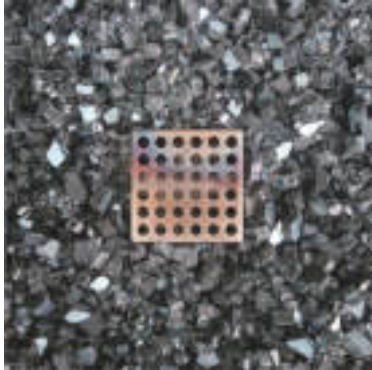
Ambos cables del electrodo deben estar completamente insertados en la caja del encendido.



# REVISIONES DE COMPONENTES DE GAS

2. Asegúrese que el piloto no se encuentre obstruido.

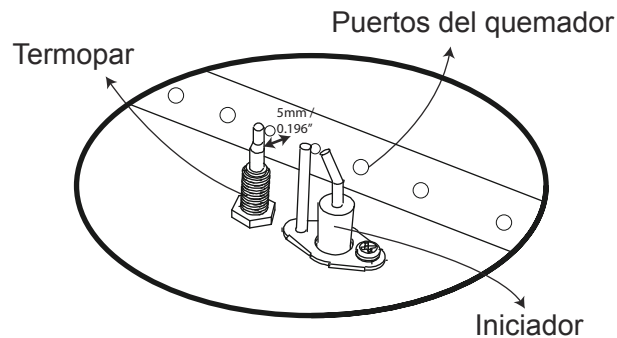
Limpie cualquier escombros de la parte superior del piloto y asegúrese de que no haya escombros entre el iniciador, el termopar y el tubo del quemador.



**CORRECTO**

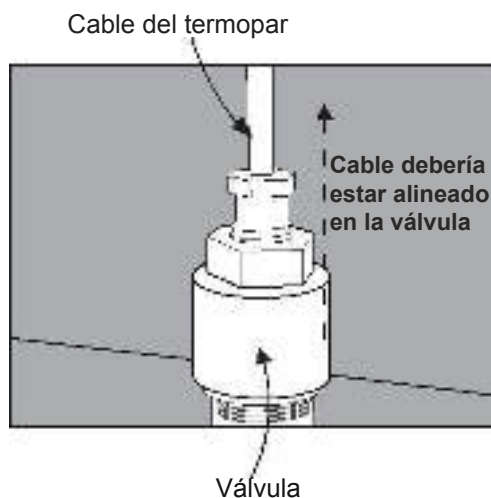
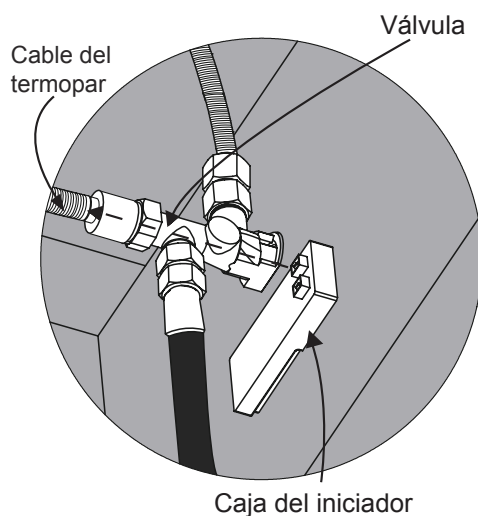


**INCORRECTO**



3. Asegúrese que el iniciador y el termopar se encuentren correctamente posicionados.

- El iniciador debería estar apuntando directamente al termopar
- El termopar debería estar a 5mm / 0.196" de distancia lejos del tubo del quemador.



4. Asegúrese que el cable del termopar se encuentra correctamente posicionado. El cable del termopar debería estar alineado con la válvula.

# SOLUCION DE PROBLEMAS

## Problema: El quemador no enciende usando el chispero

**Causa Posible 1:** Los electrodos y el quemador están mojados.

-Seque con paño seco.

**Causa Posible 2:** La pila del iniciador se encuentra agotada o mal colocada.

-Revise si la pila AAA se encuentra insertada correctamente en el iniciador (vea página 49) o reemplace la pila.

**Causa Posible 3:** El iniciador se encuentra roto o rajado- salen chispas de la grieta.

-Llame al ELEMENTI para soporte técnico.

**Causa Posible 4:** Cable flojo o desconectado.

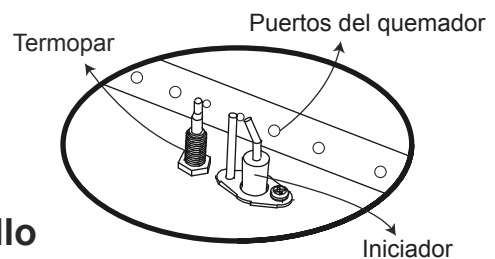
-Referencia en la página 55, paso 1, reconecte el cable. Llame al ELEMENTI para soporte técnico.

**Causa Posible 5:** Cable está haciendo corto circuito Entre el iniciador el electrodo.

-Llame al ELEMENTI para soporte técnico.

**Causa Posible 6:** Mal iniciador.

-Llame al ELEMENTI para soporte técnico.



## Problema: Quemador no enciende usando el cerillo

**Causa Posible 1:** No hay flujo de gas.

-Revise si el tanque de gas LP esta vacío. Si lo está reemplácelo y rellénelo.

Si el tanque no está vacío, refiérase a "Problema: súbita caída de presión de gas" en la próxima página.

**Causa Posible 2:** La Tuerca de acoplamiento y el regulador no se encuentran totalmente conectados.

-Gire la tuerca de acoplamiento entre una vuelta y tres cuartos hasta que sienta una parada solida no utilice herramientas, solo ajuste manualmente.

**Causa Posible 3:** Obstrucción en el flujo de gas.

-Revise si hay mangueras dobladas o retorcidas.

**Causa Posible 4:** telarañas o nidos de pájaro en el mezclador de aire.

-Limpie el mezclador de aire.

**Causa Posible 5:** Los puertos del quemador están congestionados o tapados.

-Refiérase al "Problema: Forma de llama irregular" en la próximapágina. Limpie los tubos puertos del quemador como allí se indica.

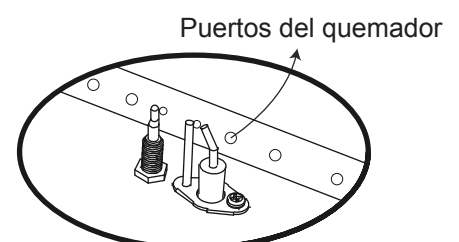
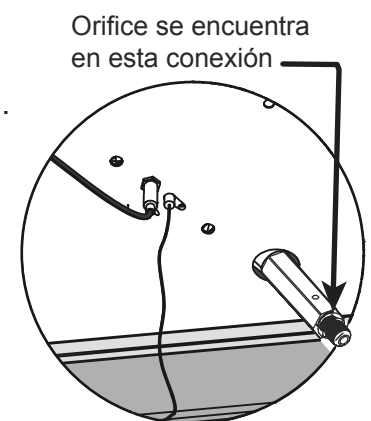
## Problema: La mesa de fuego emite mucho humo negro.

**Causa Posible 1:** La manguera se encuentra pellizcada

-Asegúrese que la manguera no se encuentre pellizcada entre la mesa de fuego y la fuente del gas.

**Causa Posible 2:** La llama se encuentra obstruida en los puertos del quemador.

-Asegúrese de que los puertos de gas del quemador estén libres de fuego de vidrio para que la llama pueda fluir naturalmente.



# SOLUCION DE PROBLEMAS

## Problema: Súbita caída de presión de gas o llama baja

**Causa Posible 1:** No hay gas.

-Recarga tu tanque de LP.

**Causa Posible 2:** Flujo excesivo, dispositivo de seguridad puede estar activado.

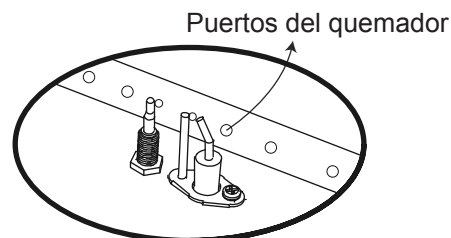
- Gire la perilla de control hasta la posición "OFF", espere 30 segundos y encienda la mesa de fuego de exteriores, si las llamas aún son bajas reinicie el dispositivo de seguridad de flujo apagando la perilla del control y cortando la válvula del tanque de gas. Desconecte el regulador. Gire la perilla del control del quemador en posición alta (HIGH). Espere 1 minuto. Apague la perilla del control. Conecte nuevamente el regulador y realice una inspección de posibles fugas en la conexión del tanque. Abra la válvula del tanque de gas LP lentamente, espere 30 segundos y luego encienda la mesa de fuego de exteriores.

## Problema: Patrón irregular de la llama, llama no alcanza todo el quemador

Causa Posible: Los puertos del quemador están congestionados o tapados.

-Limpie los puertos del quemador. Haga esto insertando un clip de papel en cada uno de los puertos del quemador para así asegurarse que no estén tapados.

ADVERTENCIA : Asegúrese que el quemador no tenga suministro de gas y que este desconectado correctamente. Deje pasar 15 minutos para que la unidad se enfríe antes de tocarla.



## Problema: Llama se apaga

Causa Posible 1: Vientos o ráfagas fuertes

-Aumente la llama a alto (HIGH).

Causa Posible 2: Poco gas Propano LP.

-Reemplace o cambie el tanque de gas LP.

Causa Posible 3: Se ha alcanzado un flujo de gas excesivo.

-Refiérase a "Problema: súbita caída de presión de gas o llama baja"

## Problema: Llama parece perder calidez a temperaturas frías bajo 50°F

Causa Posible 1: Hay hielo en el exterior del tanque de gas LP causando que el proceso de vaporización sea muy lento.

-Apague la perilla de control del gas LP y reemplace este tanque de gas LP con otro de repuesto y continúe utilizando el dispositivo. Guarde el tanque de gas LP gastado en un área bien ventilada, alejada de los niños.

# GARANTIA

Ocean Rock USA INC. Life Style haciendo negocios bajo el nombre de Elementi garantiza que los productos Elementi, sus características y accesorios están libres de defectos en sus partes y en su fabricación por el periodo de un año desde la fecha de compra bajo un uso normal de los productos. En el caso de tales defectos Elementi, a su criterio, reparara o reemplazara el producto defectuoso. Lo anterior queda bajo la discreción de Elementi.

No habrá ningún cargo por el reemplazo de las partes o el producto, sin embargo, el consumidor será responsable de devolver el producto a su lugar de compra original.

Elementi no será responsable por los daños consecuentes en exceso del precio de la compra del producto en los cuales tal responsabilidad es basada y la garantía no cubre los costos incluyendo, transporte, retirada y reinstalación.

Esta garantía es intransferible y se aplica solo para unidades que son para uso personal no comercial.

Bajo este acuerdo de garantía todas las conexiones de gas deben hacerse por un especialista calificado.

El daño causado por envíos, decoloración y abuso no están cubiertos bajo esta garantía.

Golpes, abolladuras, rasguños, decoloración no son cubiertos bajo esta garantía. La roca decorativa no está cubierta por esta garantía. Instalaciones, reparaciones, o modificaciones realizadas por cualquiera otro que no sea Elementi anularan esta garantía y cualquier daño causado por aquellos no quedara cubierto bajo esta garantía.

Abolladuras menores, decoloración por el clima, manchas de agua y grietas no estructurales son típicas del material de este producto y no son cubiertas por esta garantía. Algunas variaciones de colores y texturas de los materiales y las terminaciones del producto no están cubiertas por la garantía.

El concreto moldeado es un proceso de acabado a mano. Como tal, el acabado de este producto varía según la unidad. Habrá una variación de color de hasta 15% en cada unidad.

También puede haber textura desigual o en el patrón, así como pequeños agujeros en la superficie causada por el aire o el agua atrapada en la superficie durante la preparación. Este es una característica normal del concreto moldeado y no está cubierto por la garantía.

# ELEMENTI

THE ART OF LIVING

**ELEMENTI U.S.  
Ocean Rock USA INC.**

692 Parkridge Ave.  
Norco, CA 92860 USA  
[www.elementifire.com](http://www.elementifire.com)  
[info@elementifire.com](mailto:info@elementifire.com)  
Tel.: 800-678-7294

**ELEMENTI Canada  
Backyard Lifestyles Ltd.**

570 Applewood Cres, Unit 2  
Concord, ON  
L4K 4B4, Canada  
[info@backyardlifestyles.ca](mailto:info@backyardlifestyles.ca)  
[www.backyardlifestyles.ca](http://www.backyardlifestyles.ca)  
Tel.: 905-761-8930