



Mayhew Sling Counter & Bar Swivel Chairs Assembly Guide

Tools Required



Cordless Drill



#2 Square Drive Bit
(Included)



Allen Wrench
(Included)



Wrench

Hardware Included



4- 1/4" x 3/4"
Flangenuts



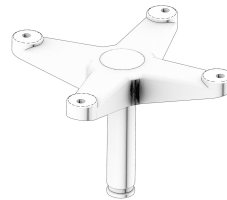
4- 1/4" x 3/4"
Allenhead Bolts



2- 3"
Buglehead
Screws



8- 4"
Buglehead
Screws



Swivel Mechanism



Counter Height



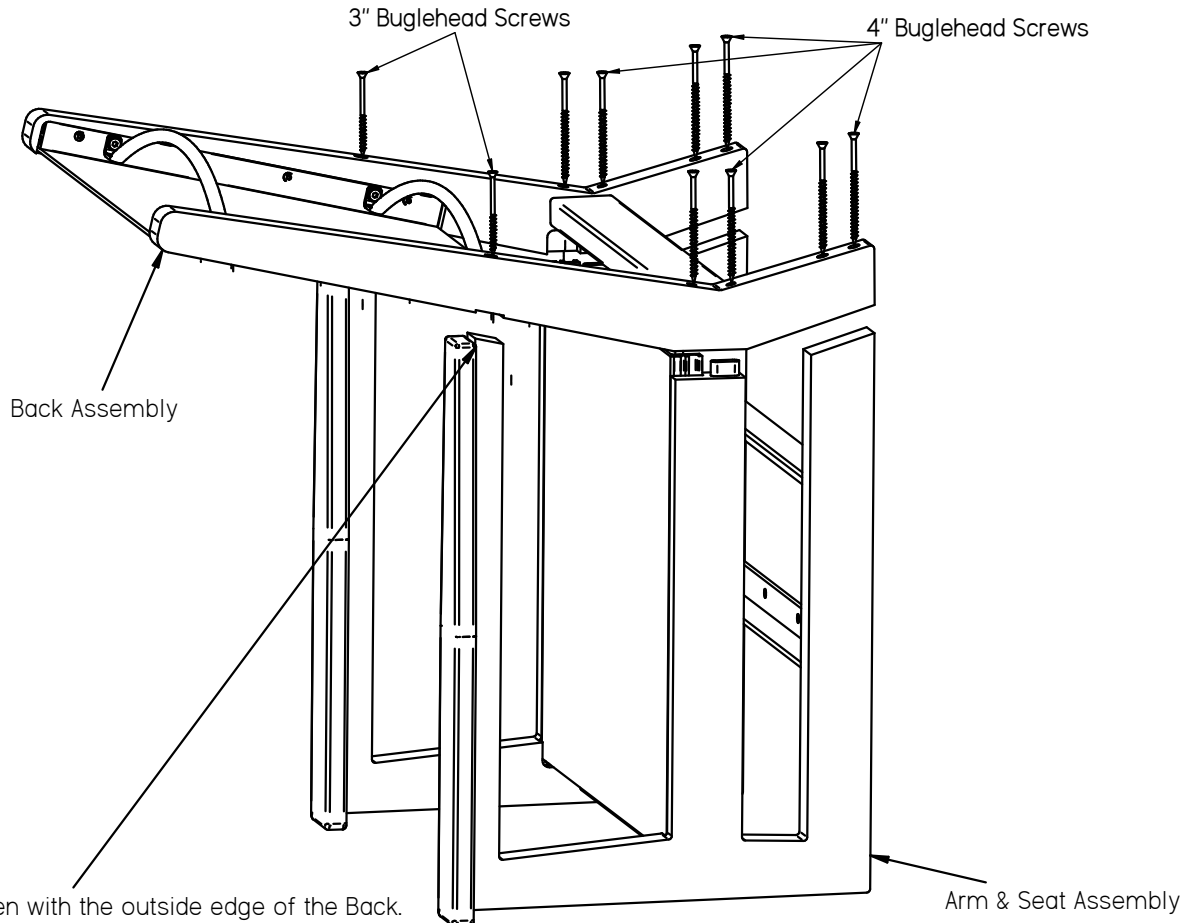
Bar Height

Step 1

Set the Arm and Seat Assembly forward onto the front of the Arms and set the Back Assembly on top. Be sure to do this on top of a soft surface to avoid damaging the arms. Fasten the Back to the Seat using eight - 4" Buglehead Screws. Keeping the Arms Supports even with the outside edges of the Back, fasten them using two - 3" Buglehead Screws.



When tightening screws or lags, **DO NOT OVERTIGHTEN** to avoid stripping their hold on the material!

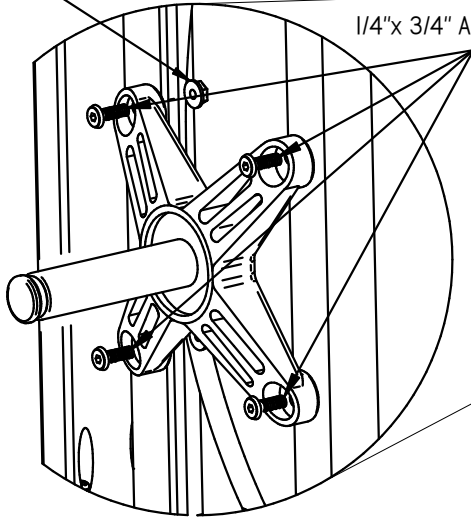


Step 2

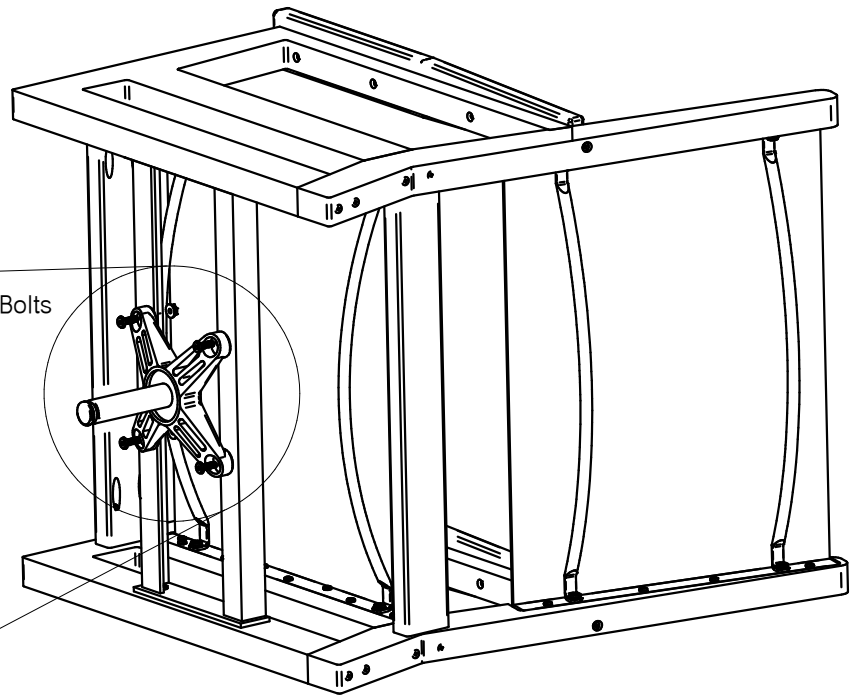
Fasten the swivel stem to the aluminum frame located under the seat using 4 - 1/4" x 3/4" allen head bolts and flange nuts. Be sure to tighten firmly.

1/4" Flange Nut

1/4"x 3/4" Allen Head Bolts



Step 2 Detail



Step 3

Lift the top of the chair and set the swivel stem into the receiver of the base. Push firmly onto the chair until it sits securely in the receiver.

