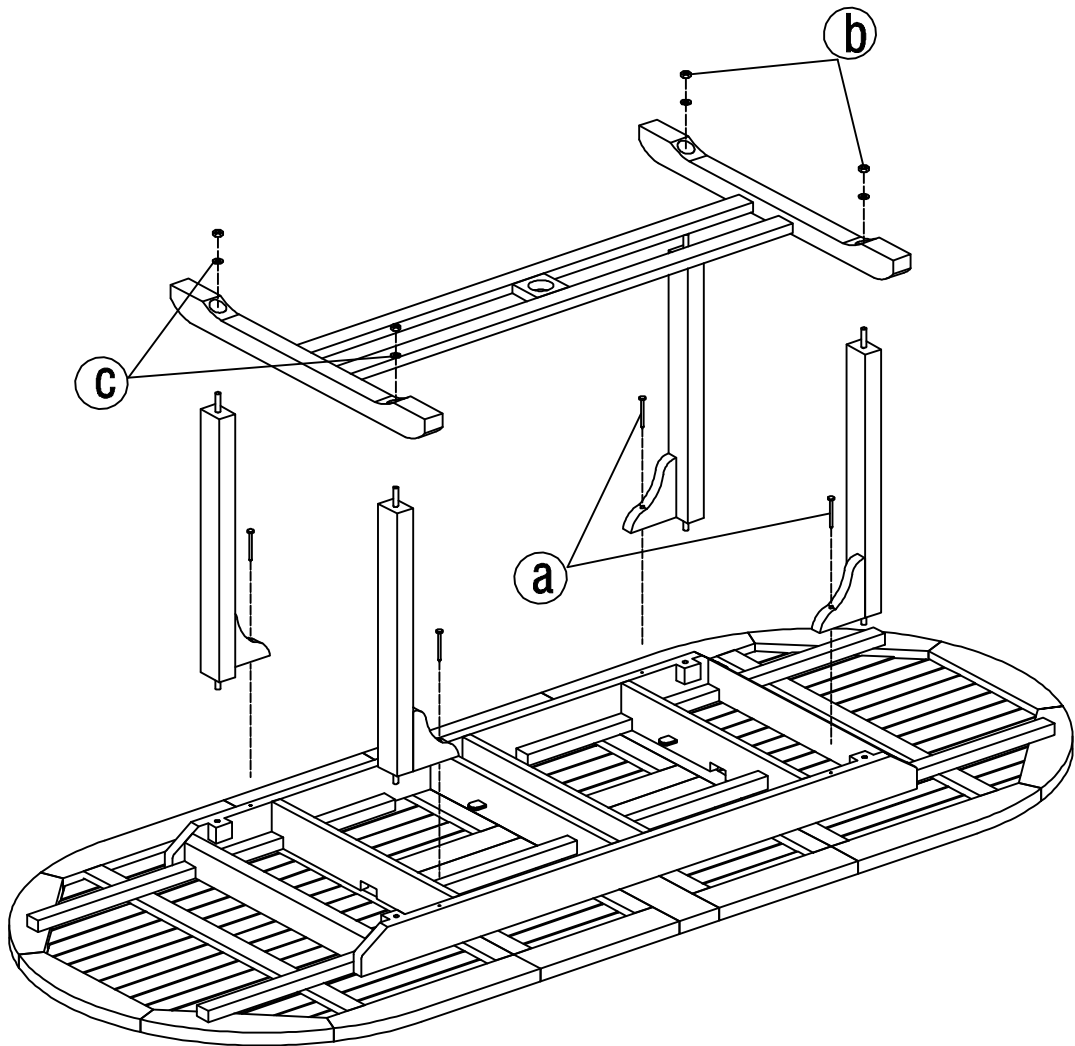


ASSEMBLY INSTRUCTION : HLT573



HARDWARE

- a. F-Screw 6x60 = 04 pcs
- b. Nut M10 = 04 pcs
- c. Washer M10 = 04 pcs
- * Allen key M4 = 02 pcs
- * Wrench M17 = 01 pc