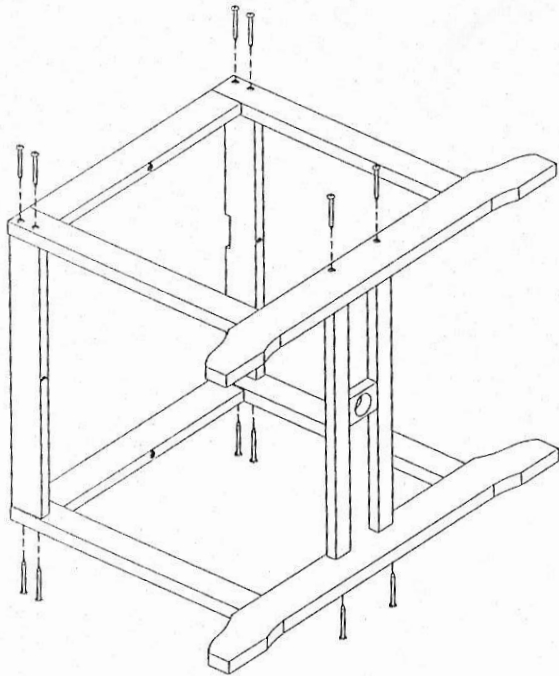
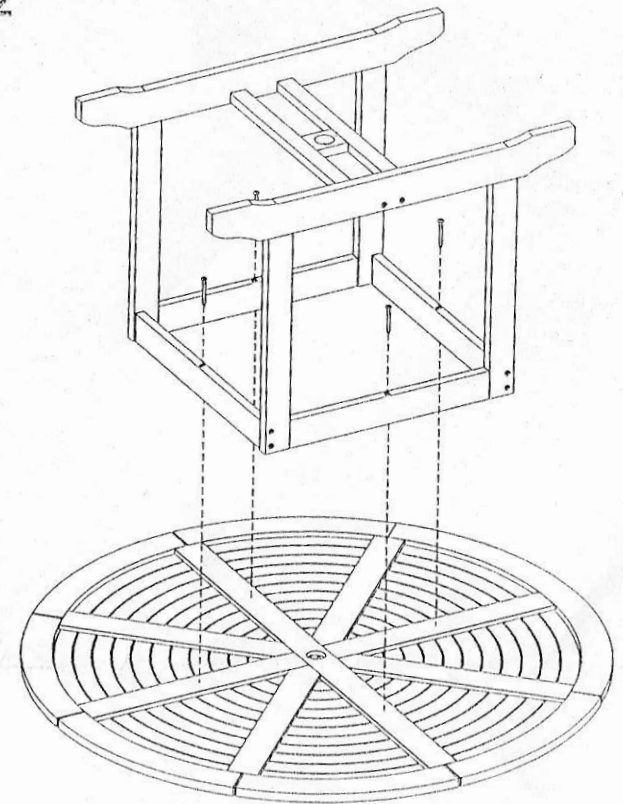


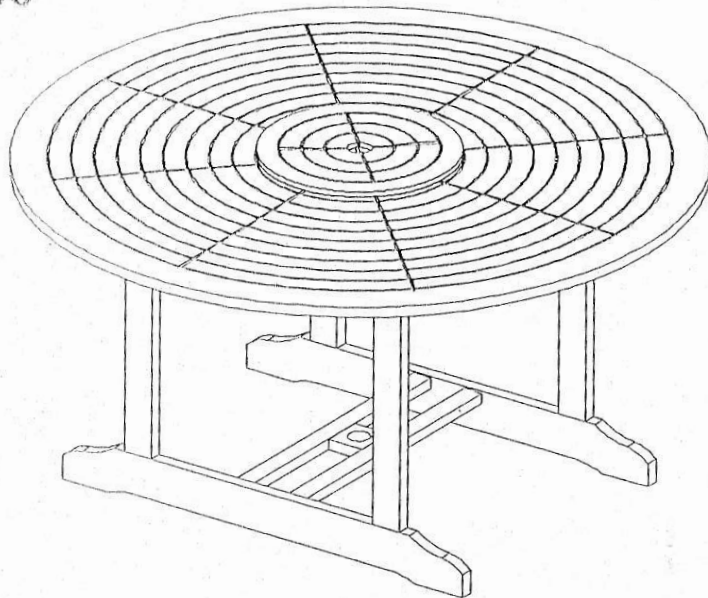
Step 01



Step 02



Step 03



## ASSEMBLY INSTRUCTION: HLT316

### HARDWARE:

- F-Screw 7x70 = 16pcs
- Allen key: M4 = 2pcs