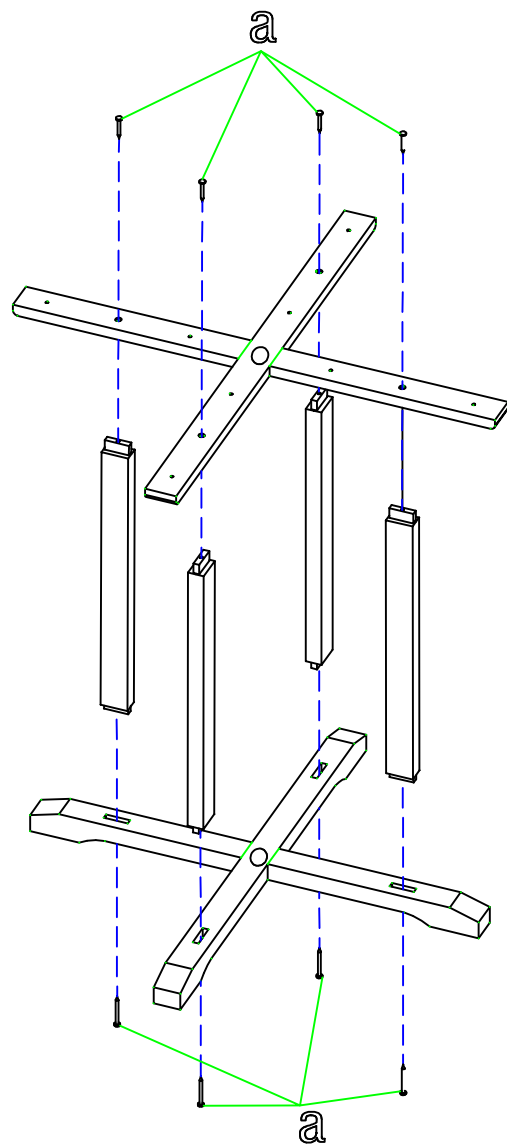
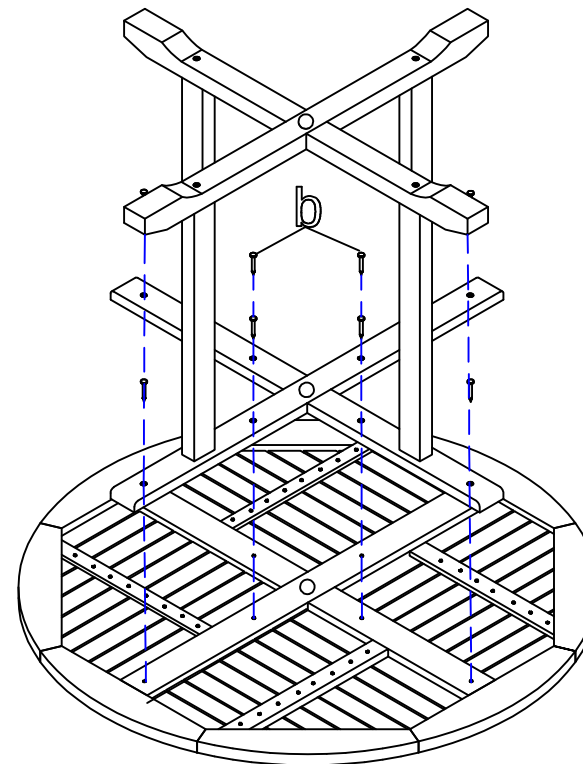


### Step 1



### Step 2



### ASSEMBLY INSTRUCTION - HLT1888

a/F-Screw  M6x60 = 04 pcs

b/F-Screw  M6x40 = 12 pcs

\*Allen key  M4 = 02 pcs