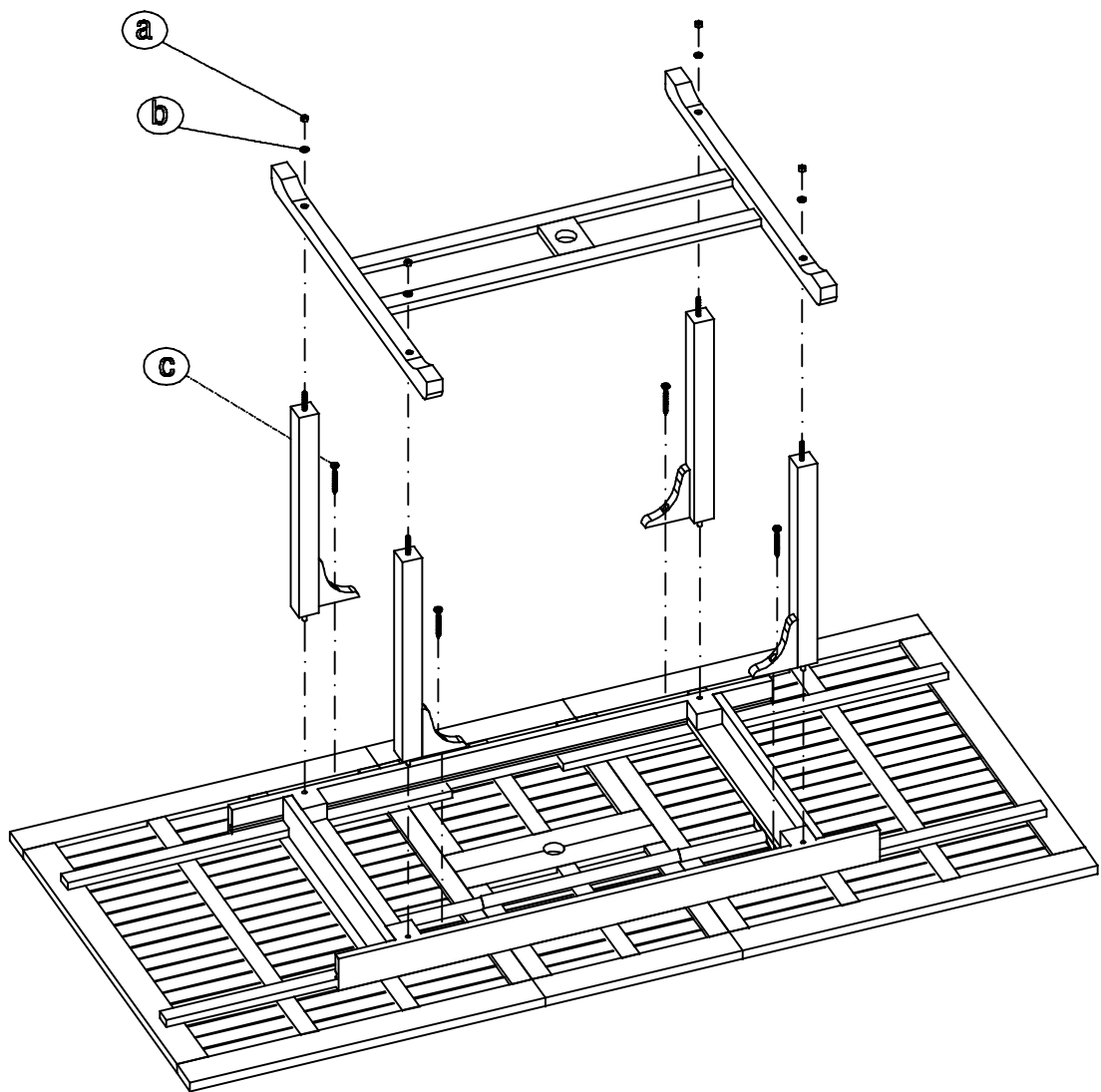




ASSEMBLY INSTRUCTION(HLT169)



DESCRIPTION

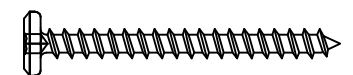
Ⓐ Nut M10 = 04 Pcs



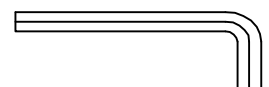
Ⓑ Washer M10 = 04 Pcs



Ⓒ F-screw M6x60 = 04 Pcs



* Allen key M4 = 02 Pcs



* Single Wrench M17 = 01 Pcs

