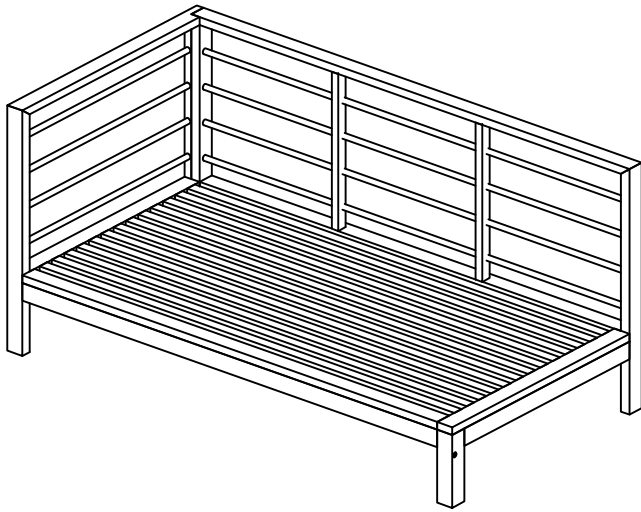





# ASSEMBLY INSTRUCTION: HLB2380



## HARDWARE

- ① Frew M6 x 40 : 03 Pcs 
- ② Frew M7 x 70 : 03 Pcs 
- ③ Crew M5 x 50 : 06 Pcs 
  
- ④ Allenkey : 01 Pc 