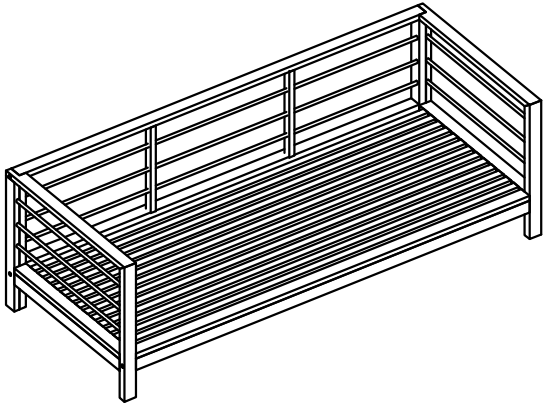




# ASSEMBLY INSTRUCTION: HLB1959



## HARDWARE

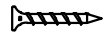
① F-screw 6 x 40: 6 Pcs



② F-screw 7 x 80: 2 Pcs



③ Chipboard Screw 5 x 50: 6 Pcs



\*\* Add Allen Key: 2 Pcs

