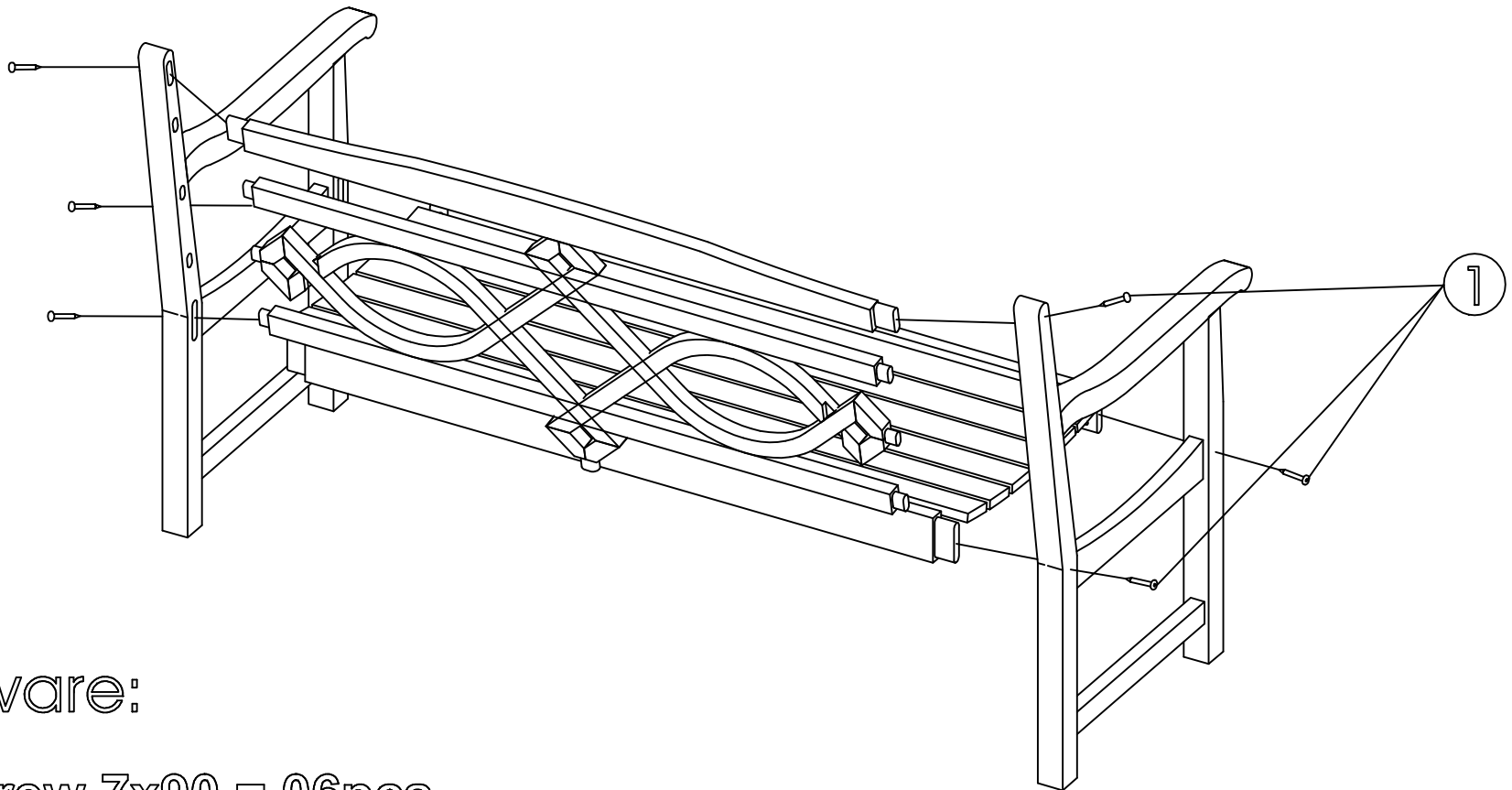


Assembly Instruction: HLB126



Hardware:

1. F-Screw 7x90 = 06pcs

*. Allen key: M4 = 2pcs