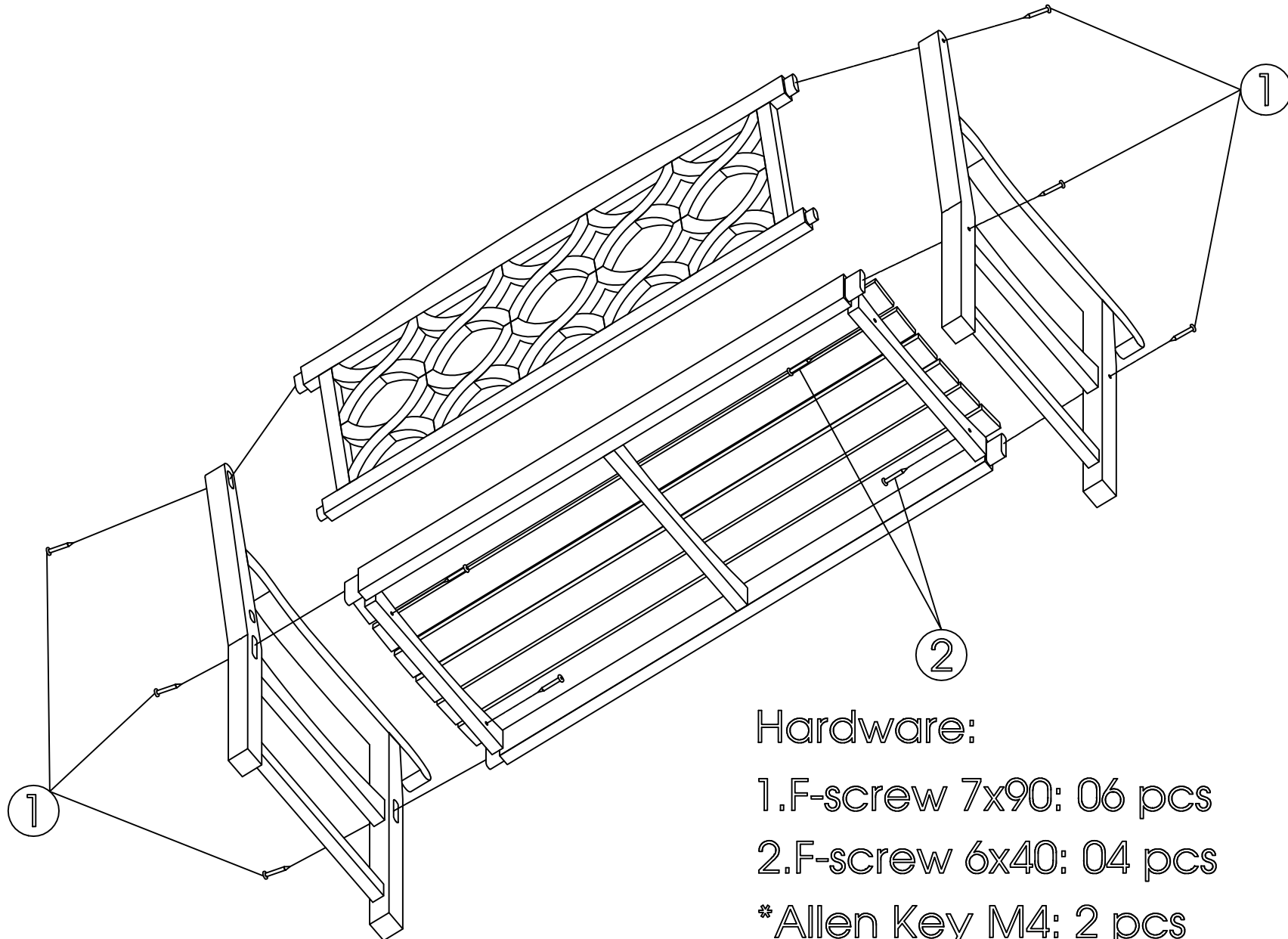


# Assembly Instruction HLB007B



## Hardware:

1.F-screw 7x90: 06 pcs

2.F-screw 6x40: 04 pcs

\*Allen Key M4: 2 pcs