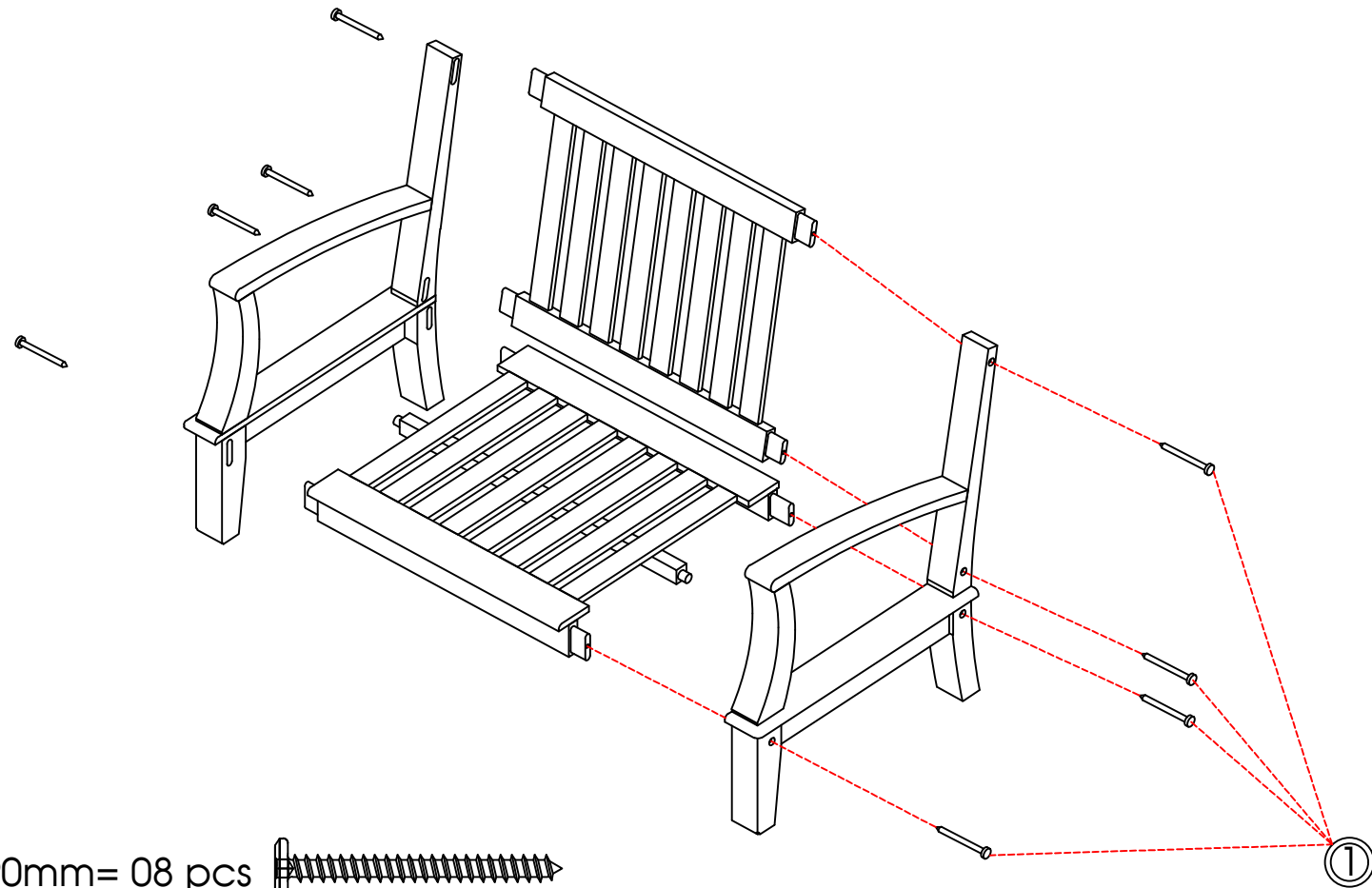
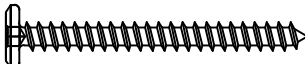


# ASSEMBLY INSTRUCTION: HLAC946



## HARDWARE

① F-screw M7 x 90mm = 08 pcs 

② Allen Key = 02 pcs 