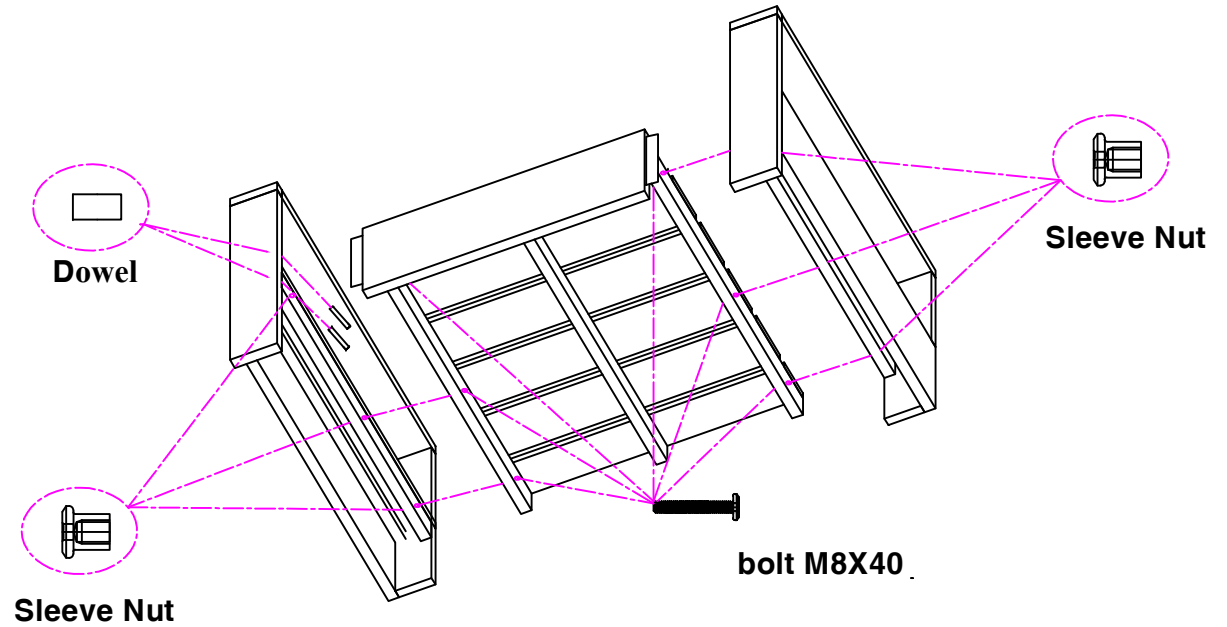
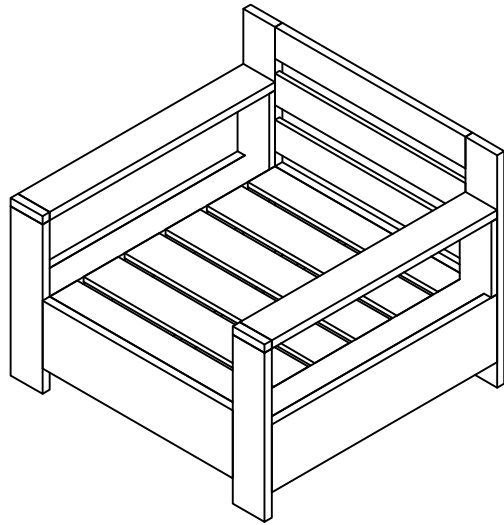
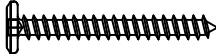




ASSEMBLY INSTRUCTION: HLAC2595




HARDWARE

① F-Screw M6x60 : 01 Pcs 

② Bolt M8x35 : 08 Pcs 

③ Bolt M8x40 : 06 Pcs 

④ Sleeve Nut : 14 Pcs 

⑤ Dowel Ø8 : 4 Pcs 

*** Allen key : 2 Pcs 

