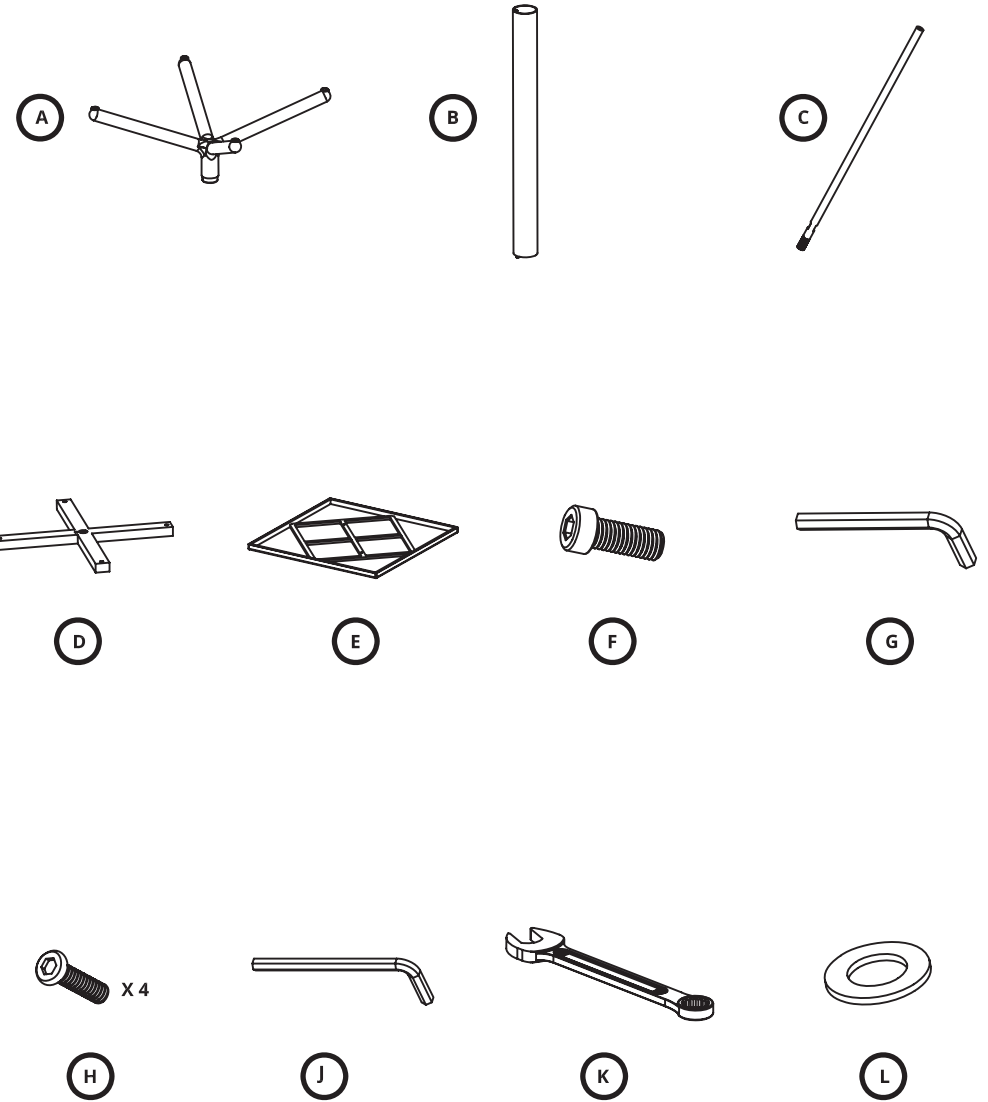
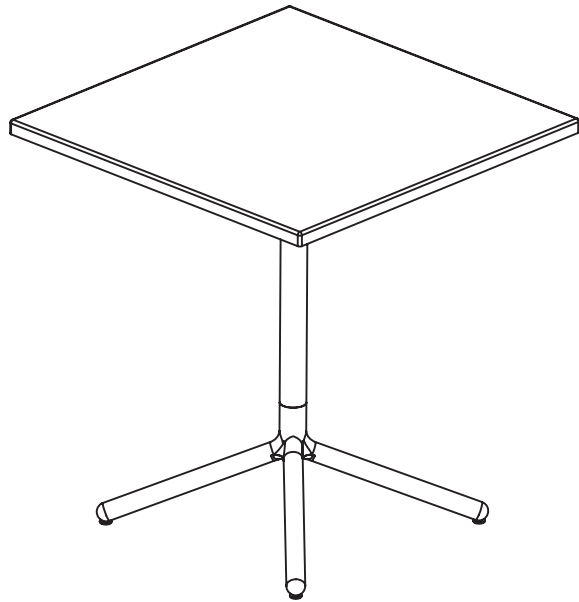




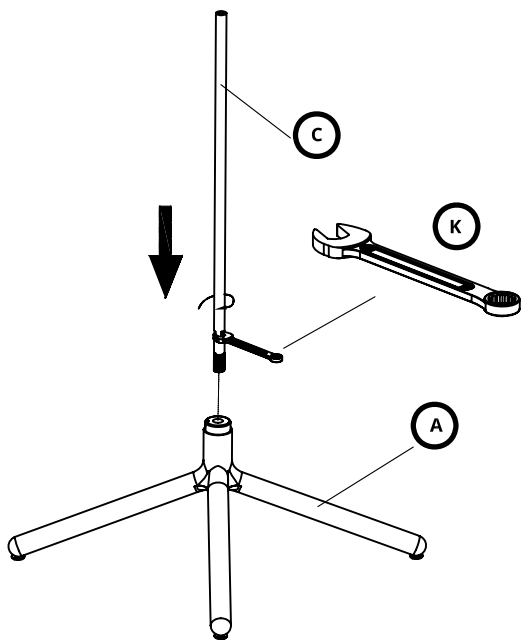
A600 Square Bistro Table

Assembly Guide



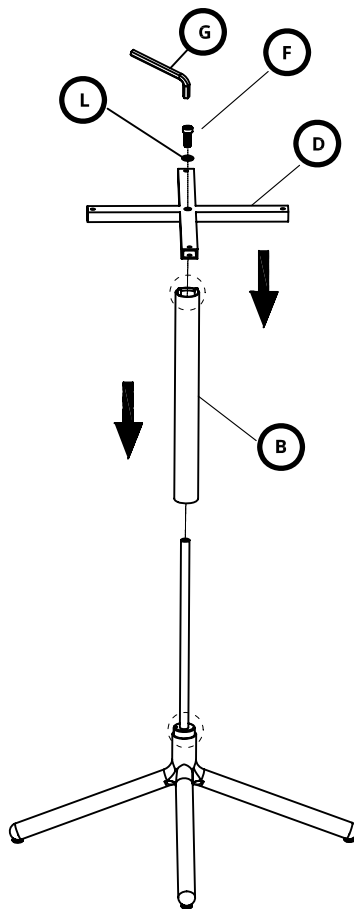
- Identify all the components before start assembling
- Choose a location close to the place where you intent to use this furniture
- Use a clean and even surface for assembly
- We recommend using carton paper under the furniture during assembly
- Do not throw away the packaging until finished assembling
- Ensure no fittings and components are disposed when discarding

1



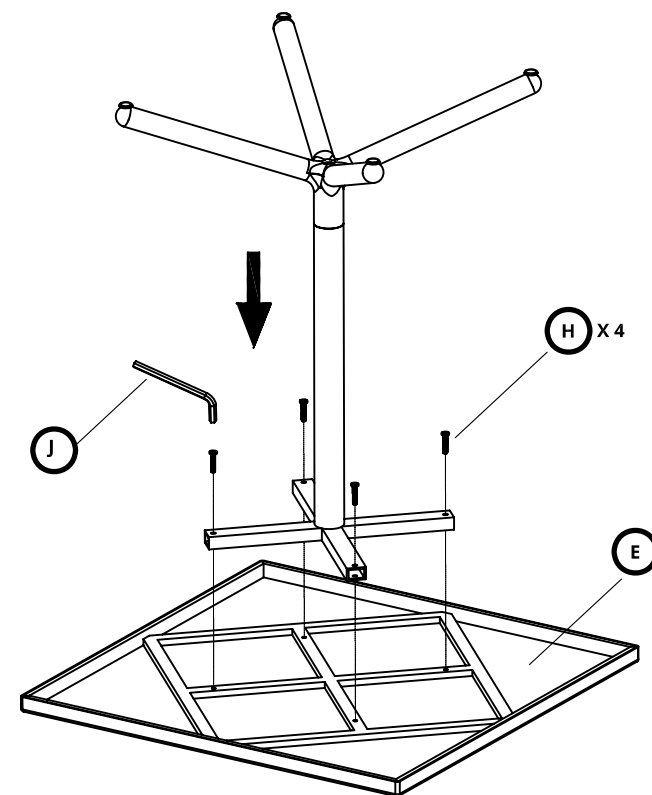
1. Drive the part ① into the part a until the 2 parts fixed together tightly.

2



2. Position the part ① and part ② by the dowel of the part ③. then tighten the screw ④.

3



3. Assemble the leg with the top, tighten the 4 screws.