

POLYWOOD

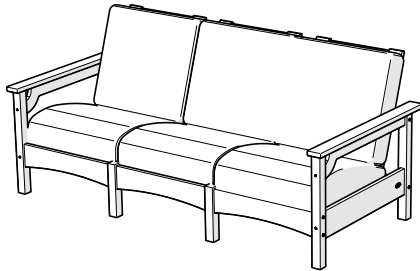
Assembly Instructions

This instruction booklet showcases how to assemble the products listed below:

SOFA

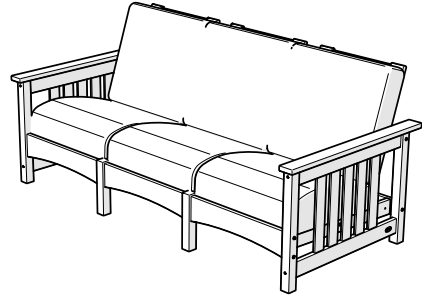
CLC71

Club Sofa



CMC71

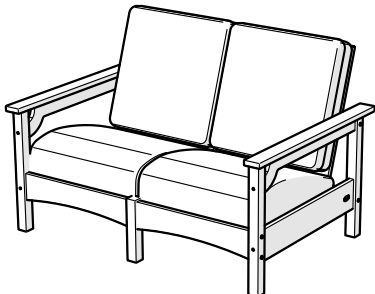
Mission Sofa



SETTEE

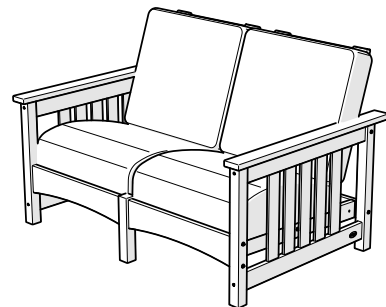
CLC47

Club Settee



CMC47

Mission Settee



Thank You

Thank you for choosing POLYWOOD!
We hope our furniture helps create a gathering
place for you and your loved ones to enjoy
for many years to come!



Reach Out

Let us know how we're doing:
hello@polywoodoutdoor.com
(833) 665-6300



Stay Connected

Be the first to hear about new products,
giveaways, and more by signing up for our
email list: polywoodoutdoor.com/subscribe



Watch & Learn

For assembly tips and videos visit:
polywoodoutdoor.com/assembly

Share your space

We love to see where our furniture
ends up — snap a pic and tag it on
Instagram or Facebook for your chance to
be featured on our social channels!

#polywood #rethinkoutdoor



facebook.com/polywoodoutdoor



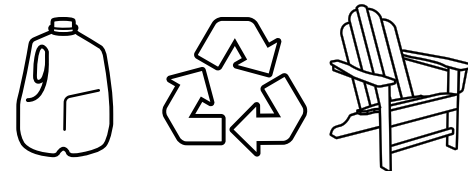
@POLYWOOD



pinterest.com/polywood



youtube.com/polywood



Did you know?

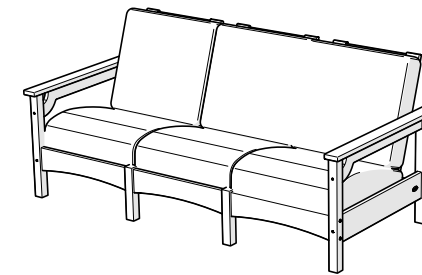
POLYWOOD was the original outdoor
furniture made from recycled materials.

Learn more about our story:
genuinePOLYWOOD.com

Prior to assembly, sort boxes and verify required sections are accounted for.

SOFA

CLC71 — Club Sofa

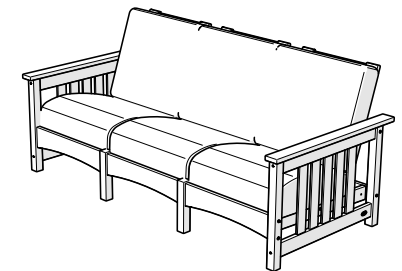


Required Sections:

Items are shipped in multiple boxes

- CLC47
- CLC23C
- XUF0015 - x3

CMC71 — Mission Sofa



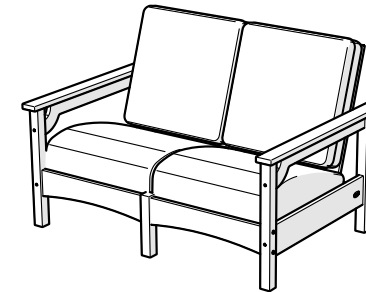
Required Sections:

Items are shipped in multiple boxes

- CMC47
- CLC23C
- XUF0015 - x3

SETTEE

CLC47 — Club Settee

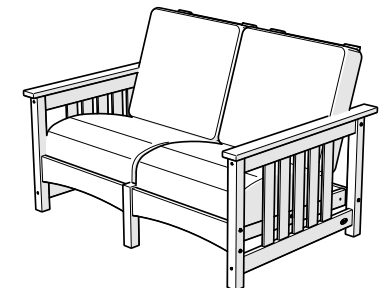


Required Sections:

Items are shipped in multiple boxes

- CLC47
- XUF0015 - x2

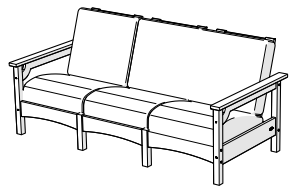
CMC47 — Mission Settee



Required Sections:

Items are shipped in multiple boxes

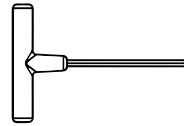
- CMC47
- XUF0015 - x2



SOFA ASSEMBLY

Club Sofa (CLC71) Shown

TOOLS

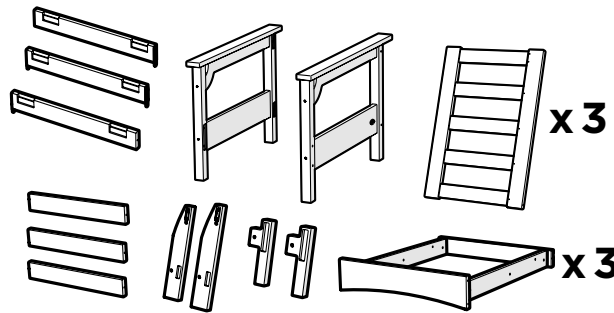


4mm T-handle hex key (included)



4mm hex for drill (included)

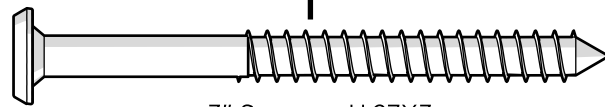
PARTS



x 3

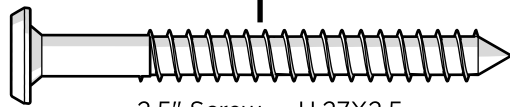
x 3

A x 8



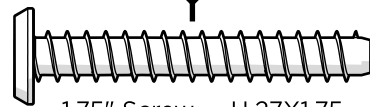
3" Screw — H.27X3

B x 12



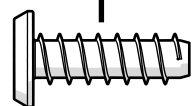
2.5" Screw — H.27X2.5

C x 8



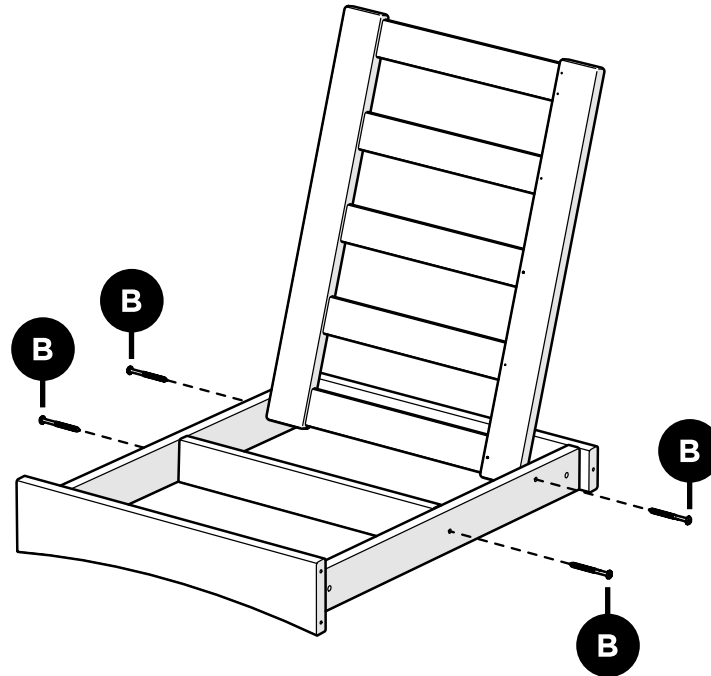
1.75" Screw — H.27X1.75

D x 4



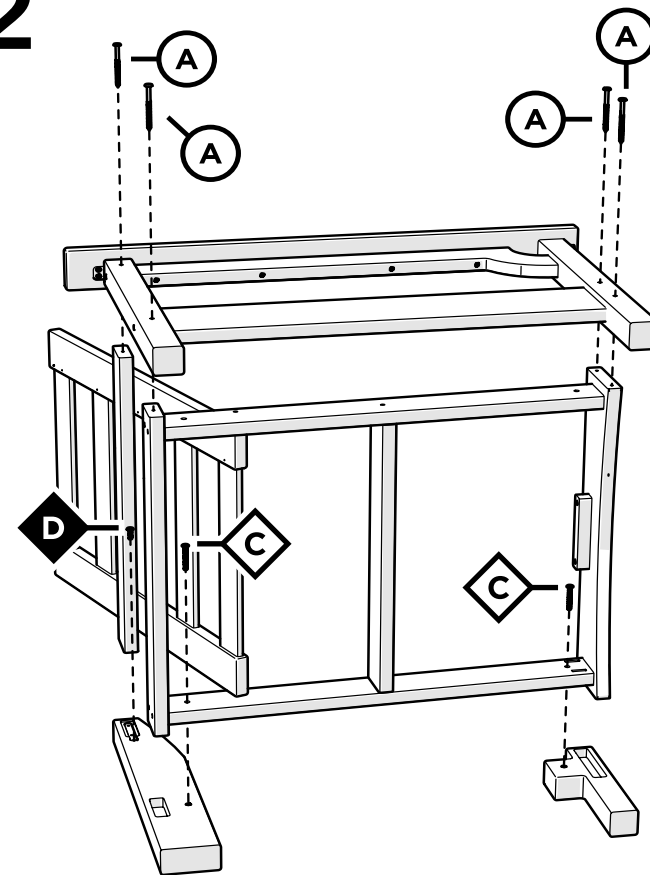
.81" Screw — H.27x.81

1

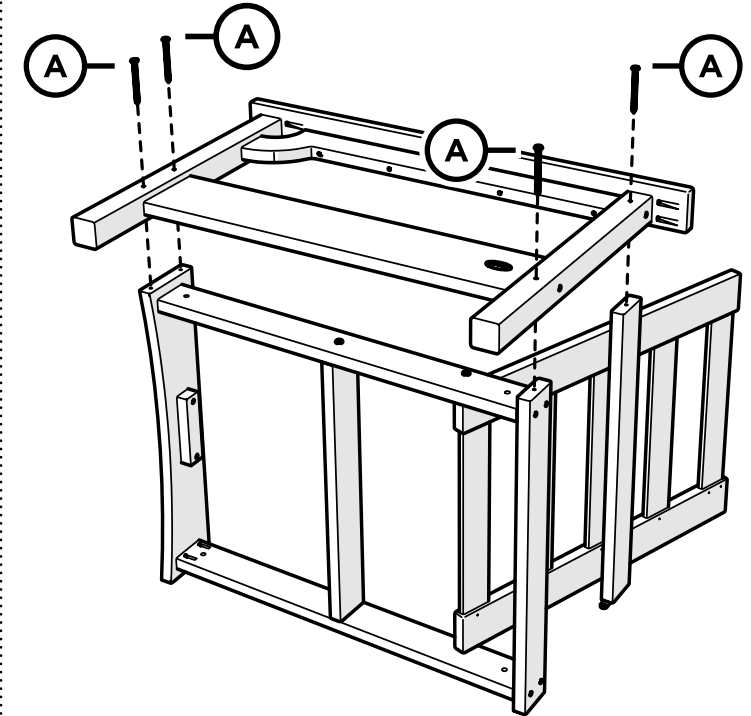


Repeat these steps for all (3) sections

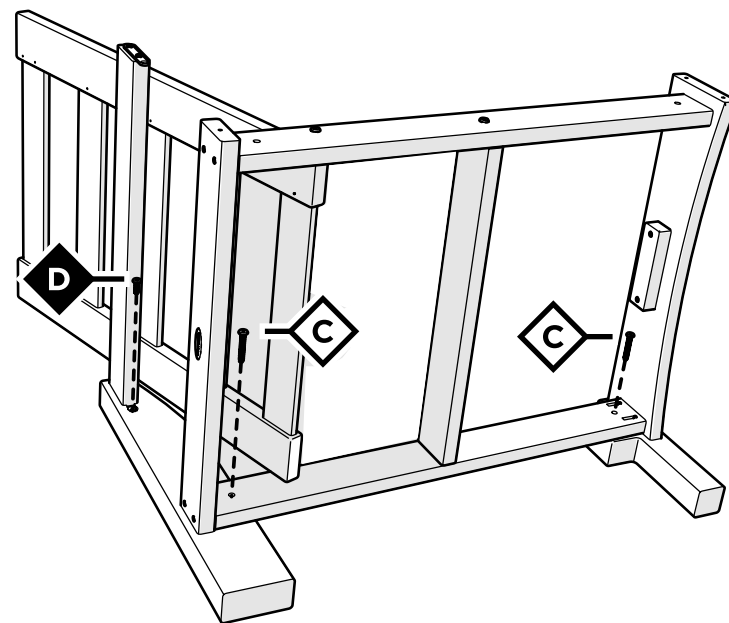
2



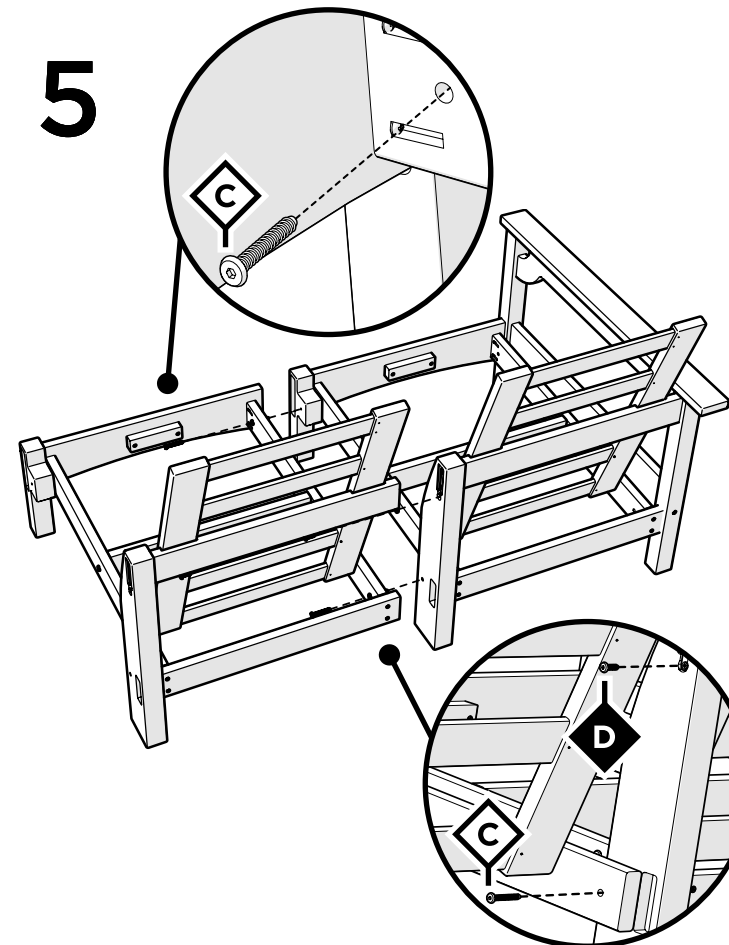
3



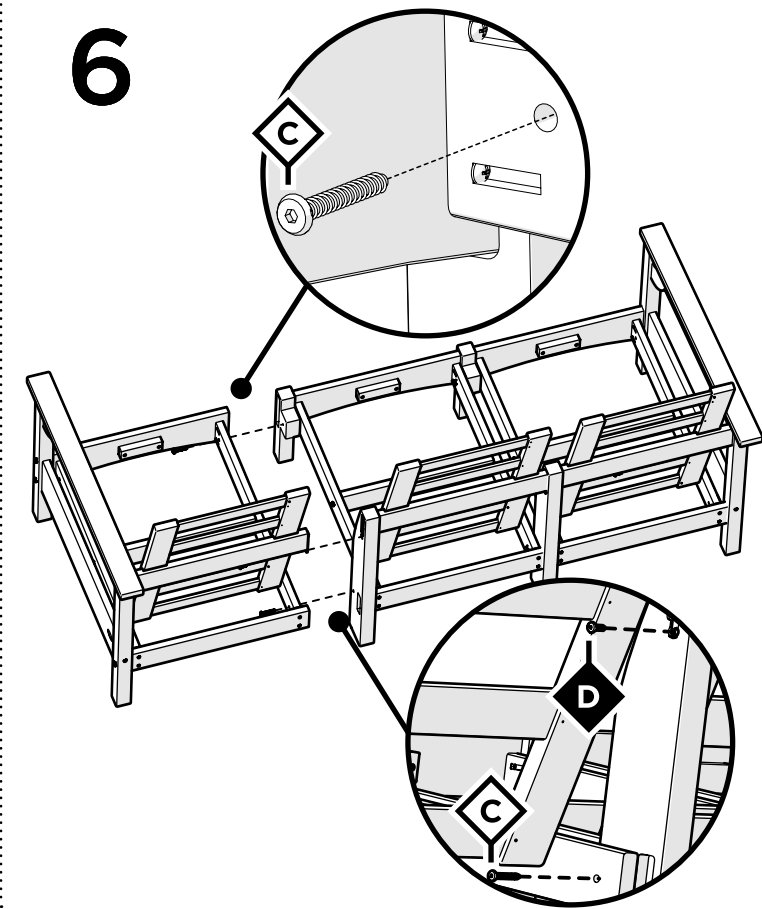
4

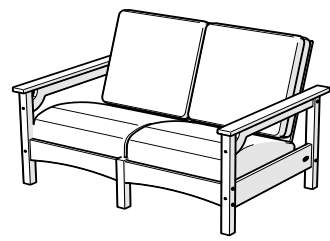


5



6

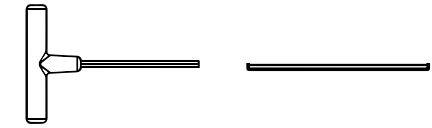




SETTEE ASSEMBLY

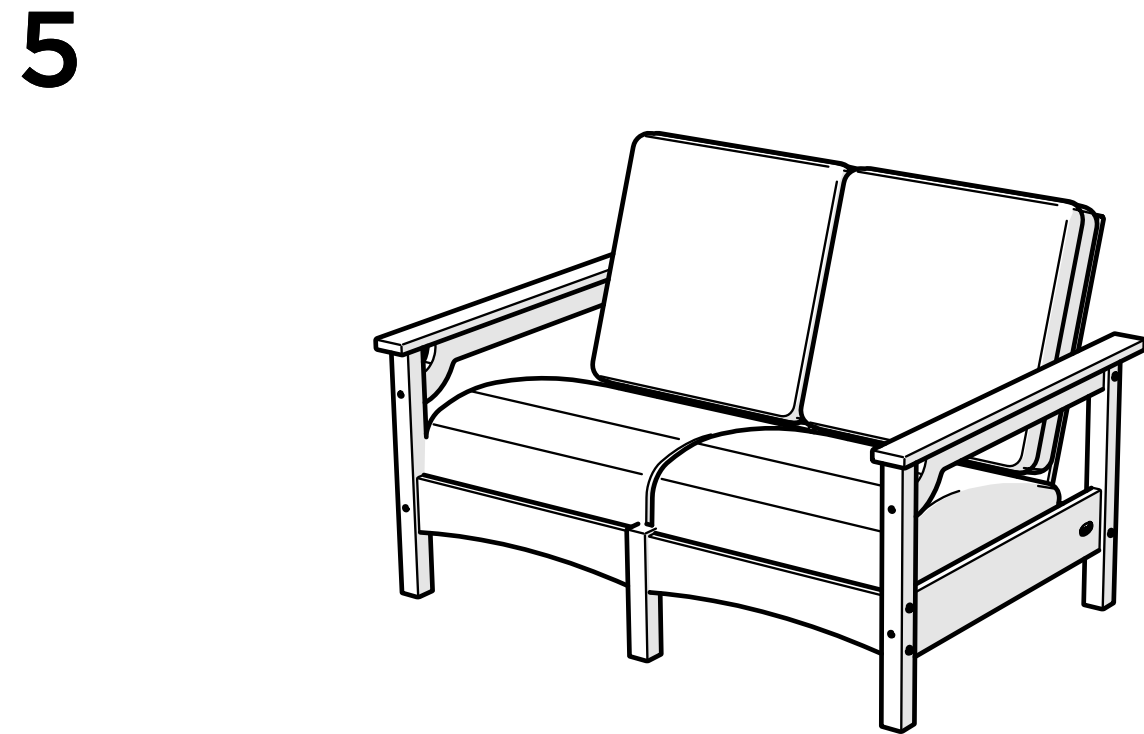
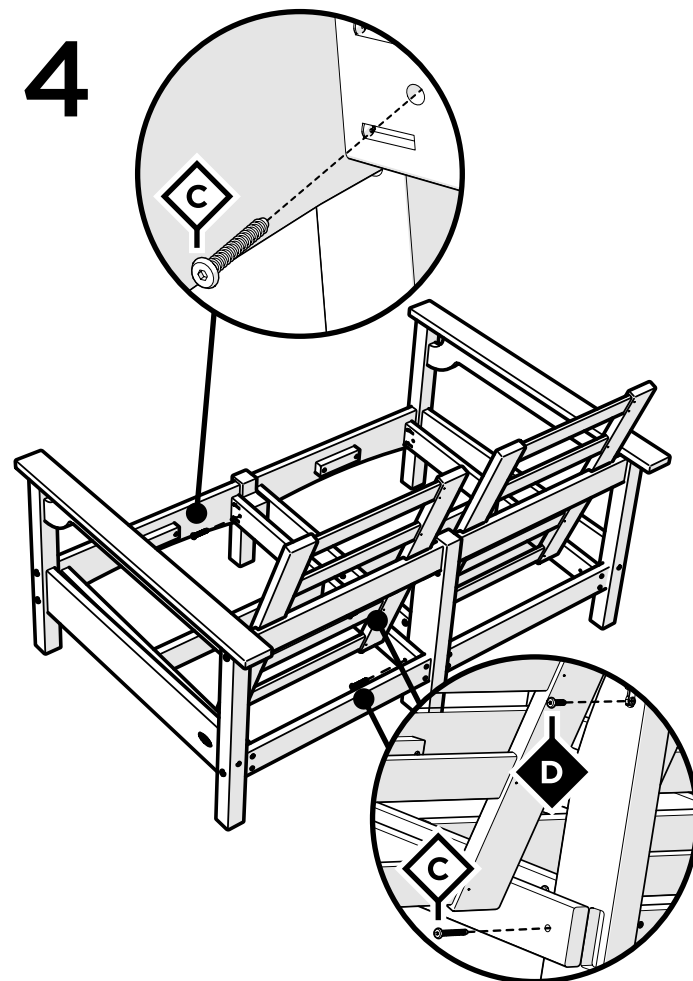
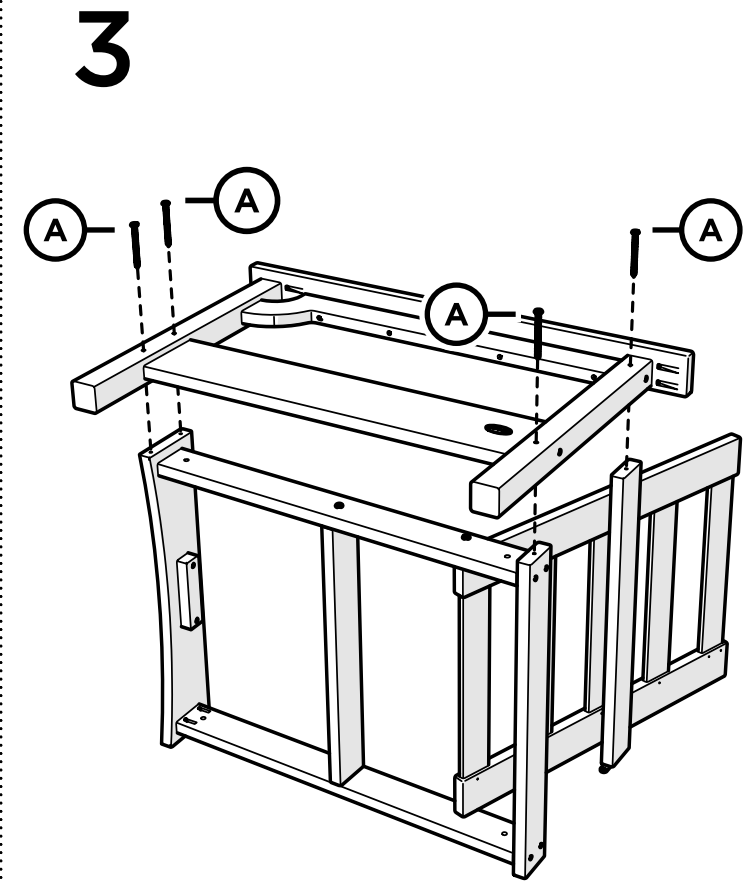
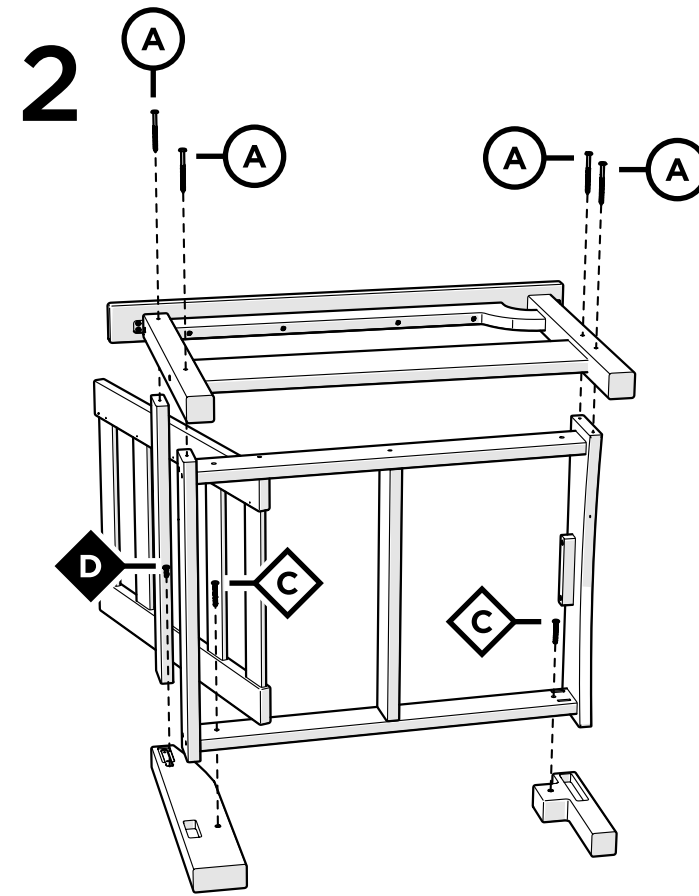
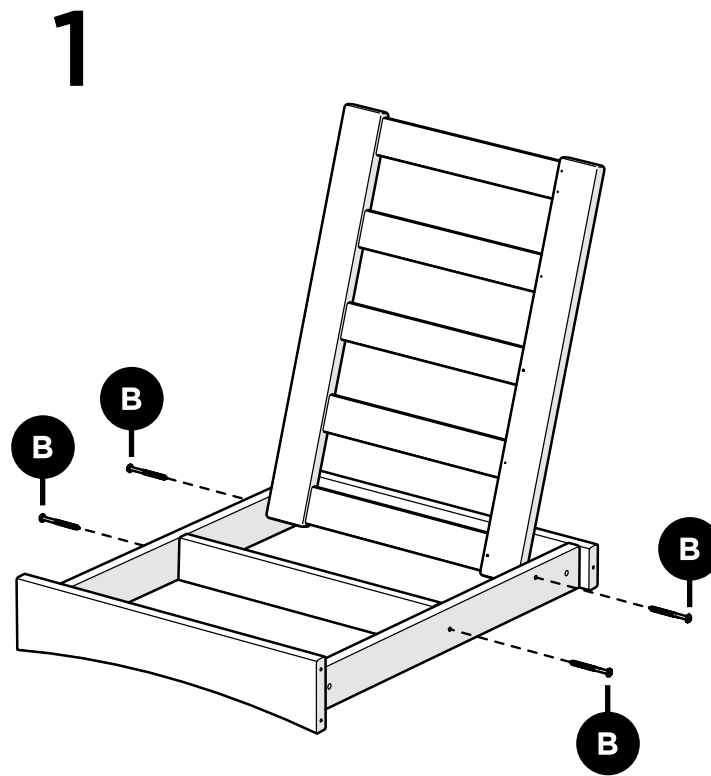
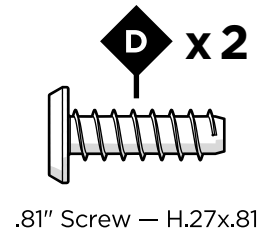
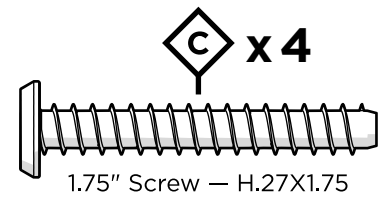
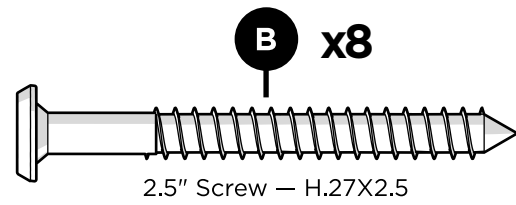
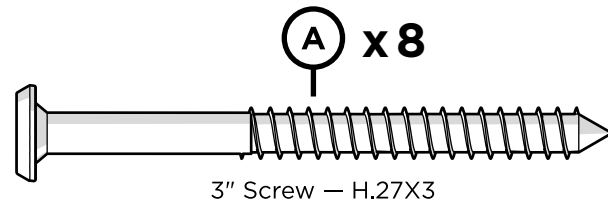
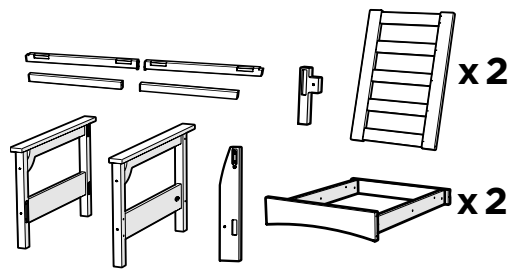
Club Sette (CLC47) Shown

TOOLS



4mm T-handle hex key (included) 4mm hex for drill (included)

PARTS





20-year warranty

View our full warranty:

polywoodoutdoor.com/warranty



Having trouble?

If you have questions or concerns regarding assembly instructions or missing parts, please contact us at hello@polywoodoutdoor.com or **(833) 665-6300**



Cleaning tips

For a Quick Clean:

Simply wipe down with soap and water.

For a Deep Clean:

Wipe on $\frac{1}{3}$ bleach and $\frac{2}{3}$ water solution with a clean cloth and let it sit on the lumber for a few minutes (this will not affect the color). Then, loosen any dirt and debris that may catch in surface grooves with a soft bristle brush; hose down to rinse.

For a High-Power Clean:

Use a pressure power washer (not exceeding 1,500 psi) to spray off dirt and debris. Apply a $\frac{1}{3}$ bleach and $\frac{2}{3}$ water solution and scrub with a soft-bristle brush. Hose down to rinse.