



# Bristol Swivel Chairs Assembly Guide



Counter



Bar



XT

## Tools Required



Cordless Drill



#2 Square Drive Bit



Allen Wrench  
(included)



Wrench

## Hardware Included



4 - 4" Buglehead Screws



4 - 1/4" X 3/4" Allen Head Bolts



4 - 1/4" Flange Nuts



Swivel

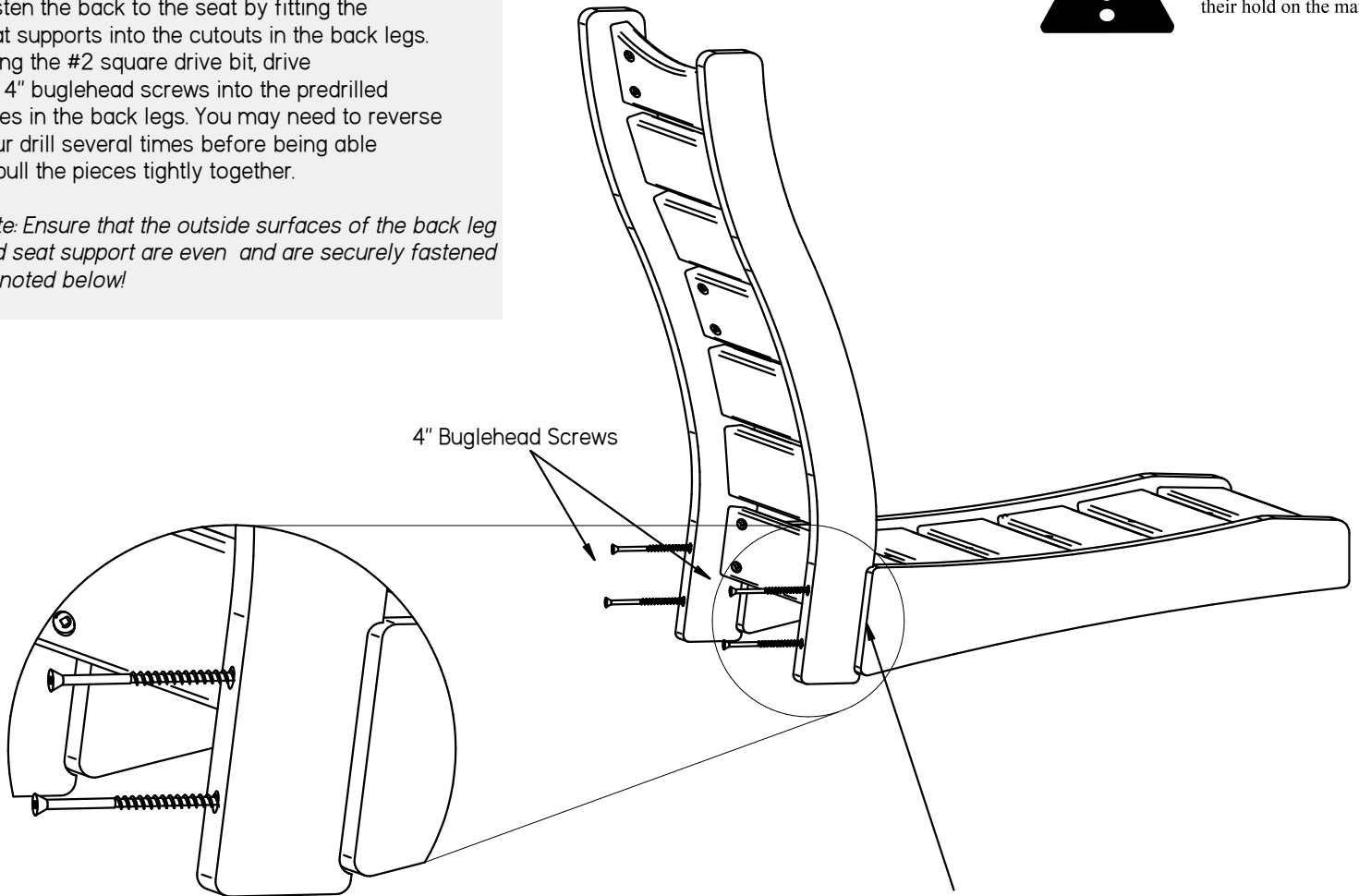
## Step 1

Fasten the back to the seat by fitting the seat supports into the cutouts in the back legs. Using the #2 square drive bit, drive 4 - 4" buglehead screws into the predrilled holes in the back legs. You may need to reverse your drill several times before being able to pull the pieces tightly together.

*Note: Ensure that the outside surfaces of the back leg and seat support are even and are securely fastened as noted below!*



When tightening screws or lags, **DO NOT OVERTIGHTEN** to avoid stripping their hold on the material!

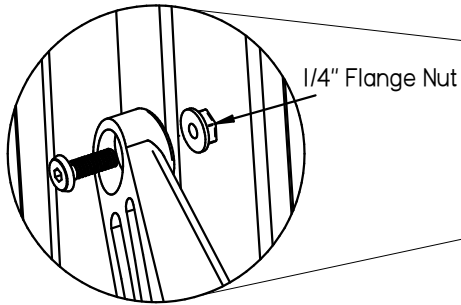


Ensure that the outside surfaces of both pieces are even and are securely fastened!

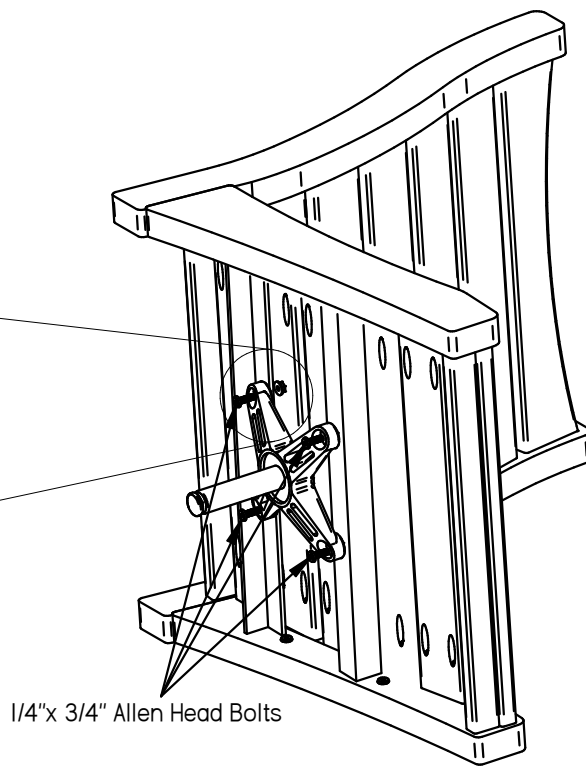
Back & Seat Assembly Detail

## Step 2

Fasten the swivel stem to the aluminum frame located under the seat using 4 - 1/4" x 3/4" allen head bolts and flange nuts.



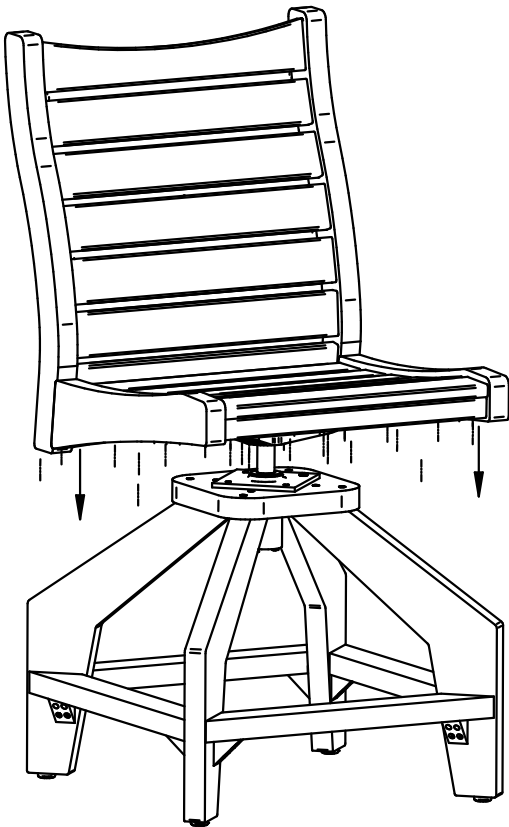
Swivel Attachment Detail



1/4"x 3/4" Allen Head Bolts

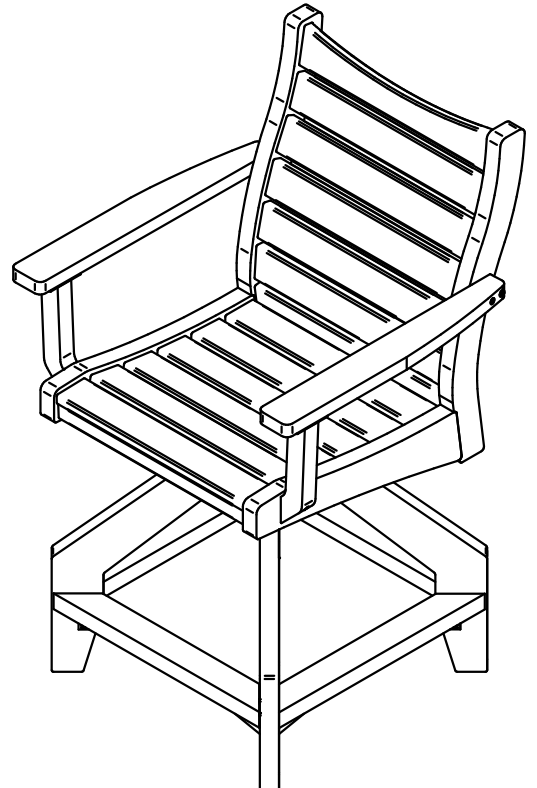
## Step 3

Lift the chair and set the swivel stem into the receiver of the base. Push firmly onto the chair until it sits securely in the receiver.



## Step 4

Install the arms rests on your swivel chair using the instructions and hardware provided with the Arm Kit.



**DO NOT USE A SWIVEL CHAIR WITHOUT THE ARMS RESTS INSTALLED!**