

# Assembly Guide



MHSR3034  
Mayhew Swivel Rocker



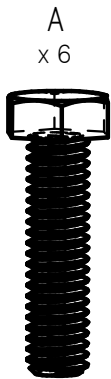
CTSR3034  
Classic Terrace Swivel Rocker

## Tool Needed

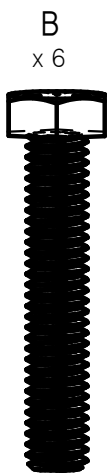


1/2" Wrench

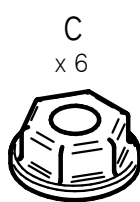
## Hardware & Parts Included



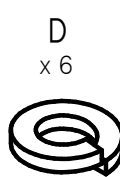
5/16" x 1 1/4" Hex Bolt



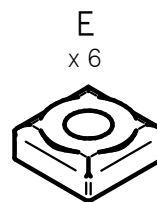
5/16" x 1 3/4" Hex Bolt



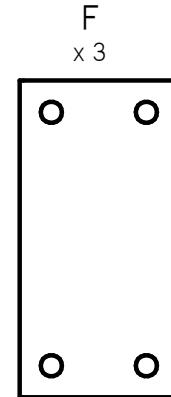
5/16" Flange Nut



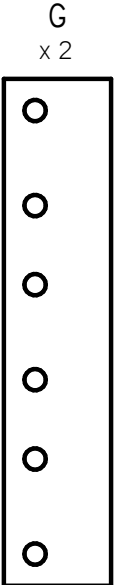
5/16" Lock Washer



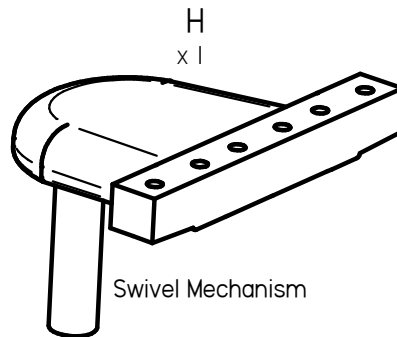
5/16" Square Nut



Fiberglass Spring

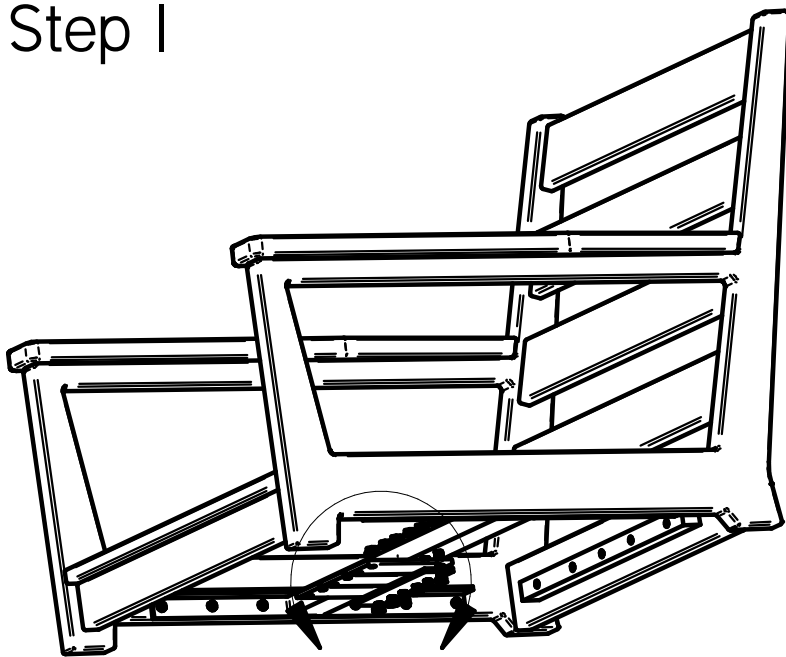


Aluminum Plate

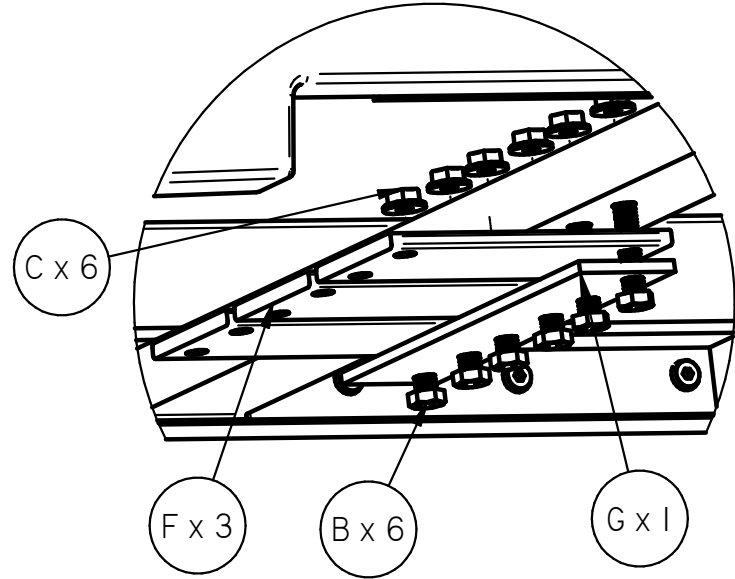


Swivel Mechanism

# Step 1



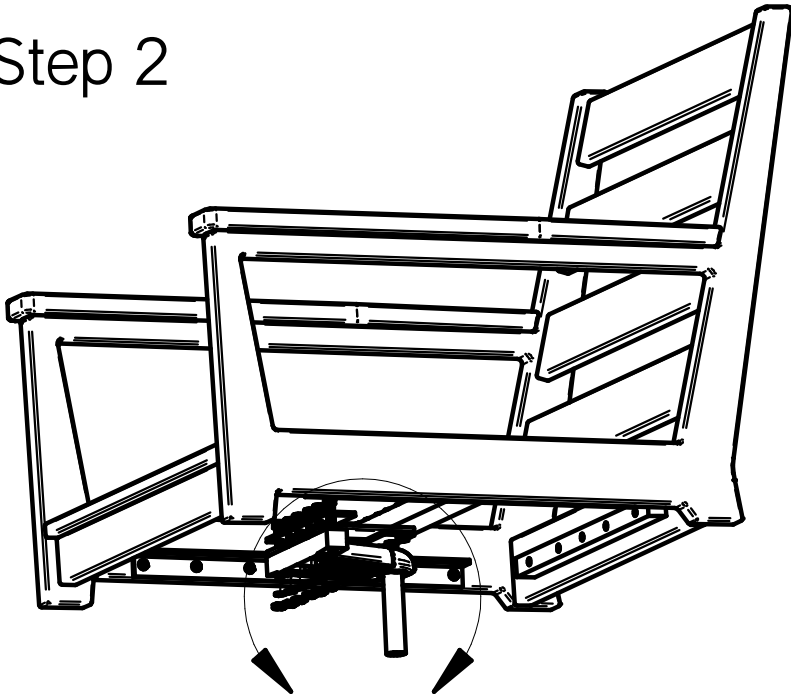
Step 1 Detail



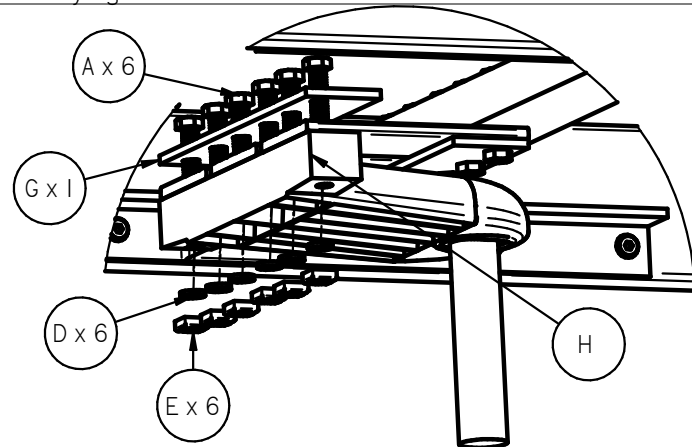
## Step 1 Detail

Fasten the 3 - Fiber Glass Springs (F) and an Aluminum Plate (G) to the chair frame using the indicated hardware. The Fiberglass Springs should point towards the front of the chair. Only hand tighten the nuts until all six bolts are installed, then align springs and fully tighten.

# Step 2



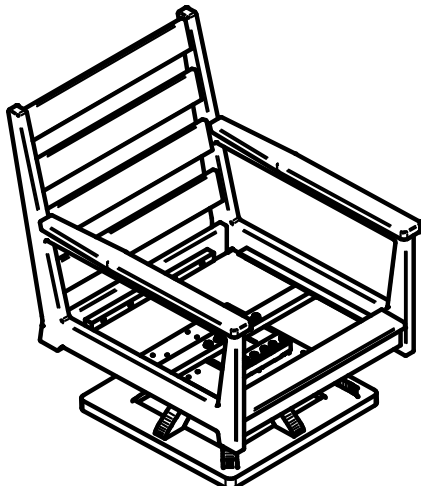
Step 2 Detail



## Step 2 Detail

Fasten the Swivel Mechanism (H) to the Fiberglass Springs (F) using an Aluminum Plate (G) and the indicated hardware. Only hand tighten the bolts until all six are installed, then fully tighten.

# Step 3



Lift the Chair Assembly onto the base and place the stem of the Swivel Mechanism (H) into the receiver that is pre-installed in the base. Firmly push on the chair until it sits securely in the receiver.

Your Swivel Rocker assembly is complete!