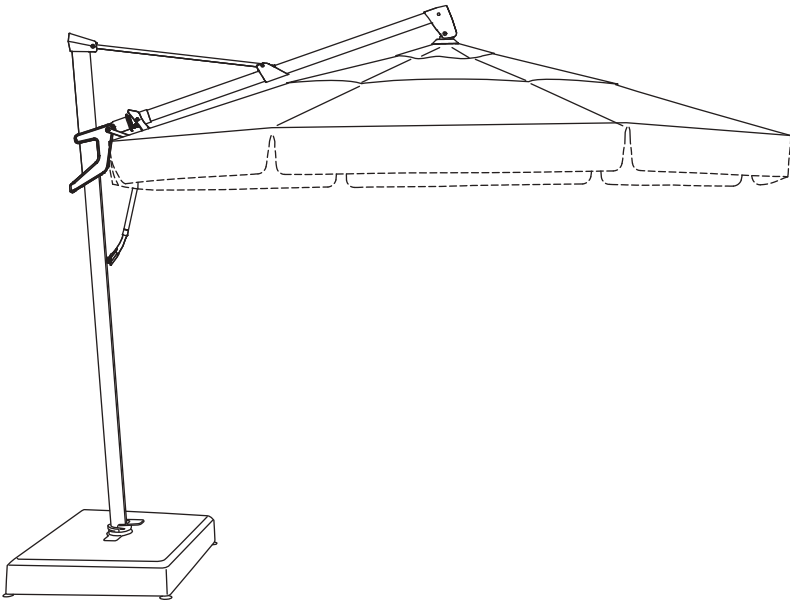


AKZP13/AKZPRT/AKZP *13'OC/10'x13'RT/11'OC* **Cantilever**

Assembly and Operation Guide



Thank you for purchasing Treasure Garden's AKZP Cantilever Umbrella.

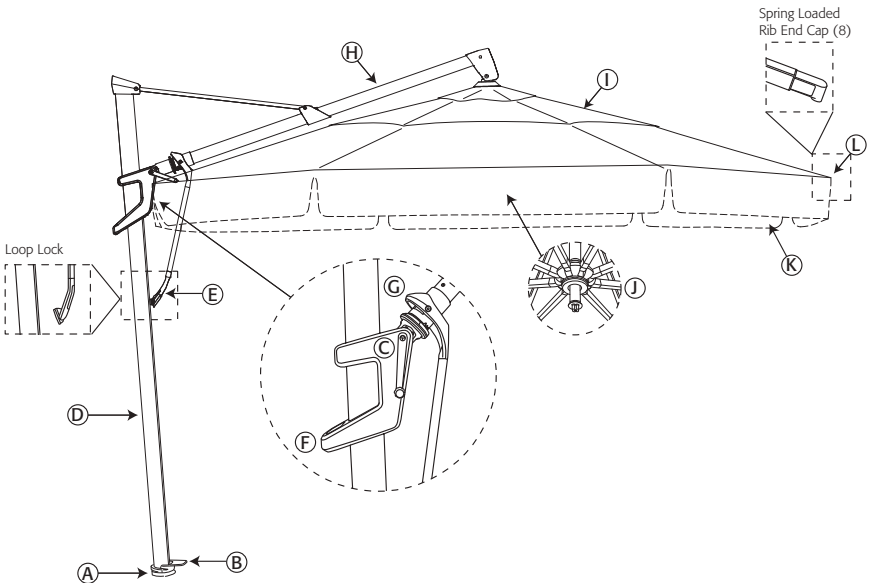
Please remove all contents from the package, inspect and review checklist.

CAUTION: To reduce personal injury and damage to your umbrella, read and follow this assembly and operation guide. We recommend a two-person team for assembly and disassembly. *Save information for future reference.*








CHECKLIST

- A - 360° Rotating Hub
- B - Foot Pedal
- C - Crank Lift Handle
- D - Main Frame Stand
- E - Tilt Lever
- F - Main Frame Grip

- G - Tilt Degree Scale
- H - Canopy Support Beam
- I - Canopy - Single or Double Wind Vent
- J - Light Adapter (light sold separately)
- K - Valance (optional)
- L - Spring Loaded Rib End Cap



AKZP PART LIST

Part	Description	Qty.
①	 AKZP Main Frame	1
②	 Crank Lift Handle	1
③	 Hub Bolts	5
④	 Washers	5
⑤	 8mm Hexagon Wrench	1
⑥	 6mm Hexagon Wrench	1
⑦	 2.5mm Hexagon Wrench	1

IMPORTANT:

Prior to assembly it is important to decide on the location of the umbrella.

- Allow ample height to avoid damage to your umbrella during assembly and usage.
- Choose a location that is level and sturdy.
- Avoid any sloping or soft ground.
- Consider a location that will maximize the umbrella's rotating swivel function. Placing the umbrella between two entertaining areas is ideal.

Storage:

- **Properly store umbrella when not in use. Close umbrella, tie string around canopy and cover umbrella with provided protective cover.**

NOTE: Some parts may be included in the styrofoam packaging.
DO NOT discard any packaging or box until assembly is complete.

CAUTION: Fully assembled, the umbrella weighs *over 500 lbs.*

Moving the umbrella fully assembled will increase the risk of damage to your umbrella and/or can cause serious injury. *We recommend a two-person team for assembly and disassembly.*

NOTE: REFER TO SEPARATE BASE-13 OR MOUNT KIT MANUAL FOR BASE ASSEMBLY PRIOR TO PROCEEDING.

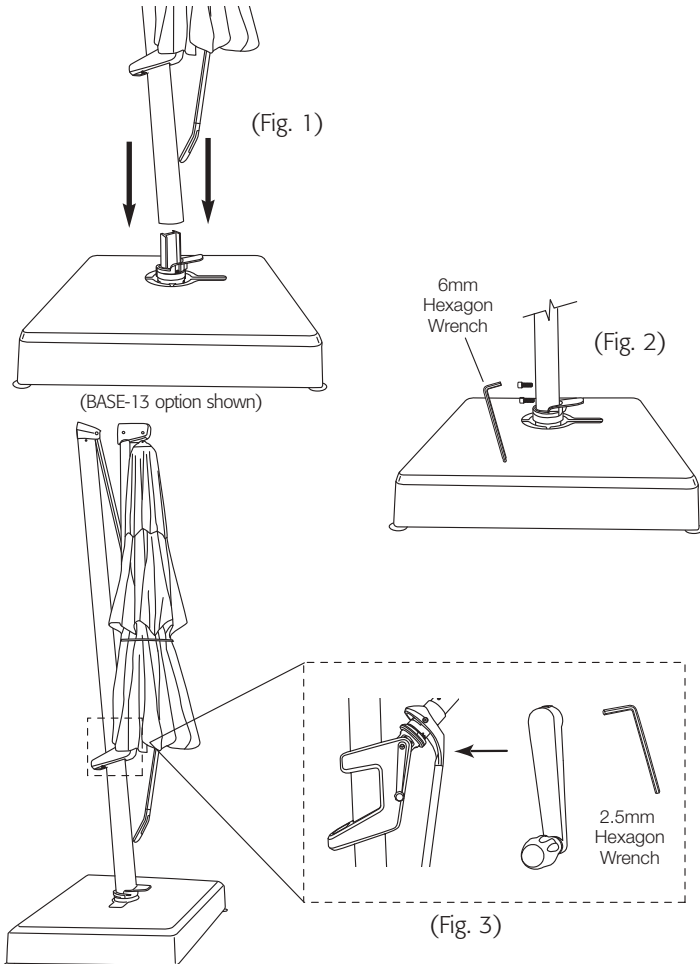
STEP 1 Umbrella Assembly

Two-persons recommended for team lift and to complete assembly.

With base cover in place or mount kit installed, insert the main frame onto the installed rotating hub (Fig. 1) [align tilt lever with foot pedal]. Assembled in upright position, insert the (2) bolts and (2) washers and tighten using 6mm hexagon wrench provided (Fig. 2). Install the crank lift handle onto the mid-area of the main frame. Use the 2.5mm hexagon wrench provided to lock in the small screw (Fig. 3).


REMOVE ALL PLASTIC PACKAGING MATERIAL FROM ALL PARTS PRIOR TO OPENING UMBRELLA. CHECK UNDER CANOPY FOR PACKAGING AROUND RIBS.

Your umbrella is now ready to operate!

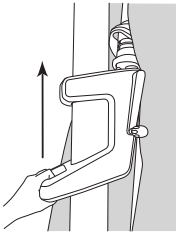


STEP 2 Operation

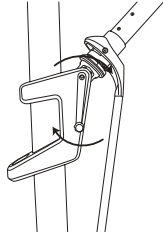
To Open Canopy:

Position yourself behind umbrella. Squeeze the main frame grip handle and slide handle midway up main frame (Fig. 4). Release grip handle to lock into place. Slowly turn the crank lift handle clockwise  to open the umbrella (Fig. 5). Crank the handle an extra half turn to lock the canopy structure into place. **CAUTION:** When cranking umbrella open, if you feel resistance and the umbrella is not opening, do not force crank. Gently spread umbrella ribs with hands, then continue to crank open. Once fully opened, squeeze the main frame grip handle to release lock and continue to slide handle upward until desired height is reached (Fig. 6).

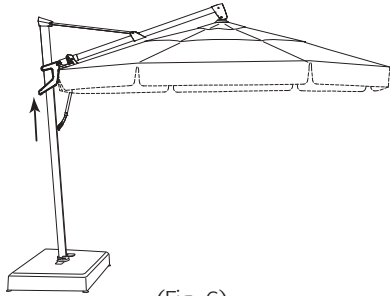
WARNING: Do not continue to crank once umbrella canopy is completely open, it may impair your ability to disengage the tilt lever. Keep hands free of mainframe while moving grip handle up and down.



(Fig. 4)



(Fig. 5)



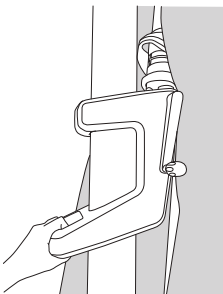
(Fig. 6)

IMPORTANT: PRIOR TO USING HORIZONTAL AND VERTICAL TILT FEATURE. To avoid personal injury or damage to the umbrella, make sure the area behind you is clear and free from any furniture or structure.

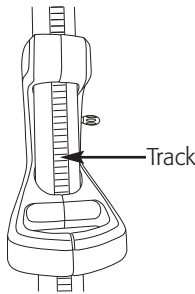
To Tilt Canopy Vertically:

Position yourself behind umbrella. Squeeze main frame grip handle (Fig. 7) to disengage from track (Fig. 8) and guide main frame grip down main frame until desired degree of vertical shade is reached (maximum back angle of 40° from ground level) (Fig. 9). Release grip handle to lock into place.

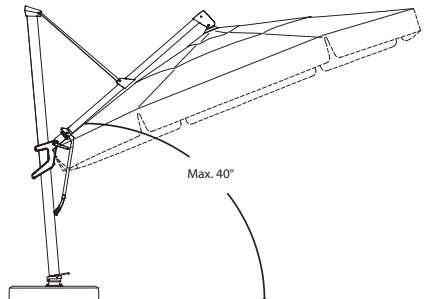
WARNING: Make sure tilt is secure in track. Do not tilt umbrella past the track. Keep hands free of mainframe while moving grip handle up and down.



(Fig. 7)



(Fig. 8)

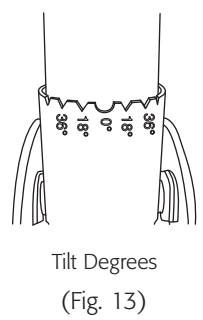
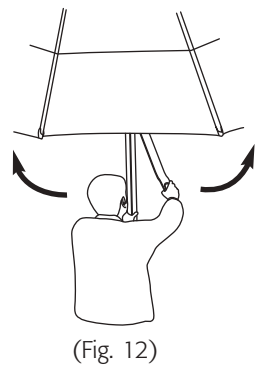
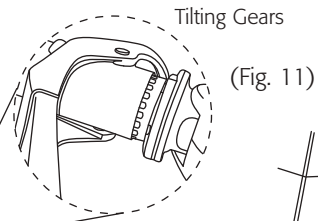
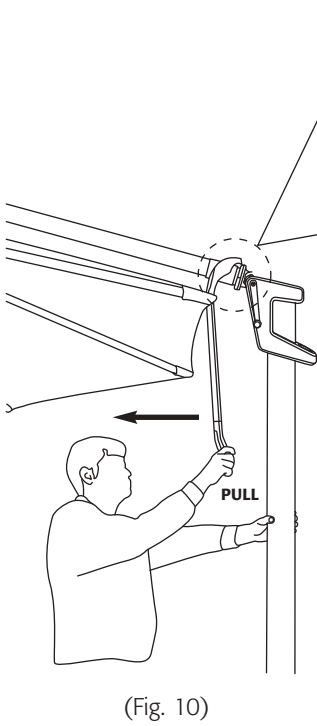


(Fig. 9)


IMPORTANT: PRIOR TO USING HORIZONTAL AND VERTICAL TILT FEATURE. To avoid personal injury or damage to the umbrella, make sure the area behind you is clear and free from any furniture or structure.

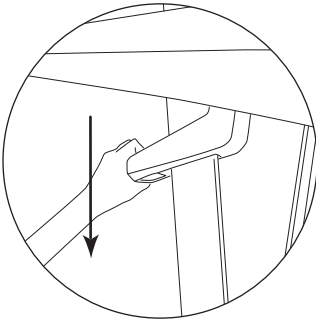
To Tilt Canopy Horizontally:

Make sure canopy is fully OPEN. Position yourself in front of the tilt lever and pull loop lock from main frame track (Fig. 10). Pull out further to disengage tilting gears and reveal gear teeth (Fig. 11). Move the tilt lever to the left or right, opposite the desired tilt direction (Fig. 12). Use the tilt degree scale as a guide (Fig. 13). Now, push forward slightly to re-engage tilting gear teeth. Move tilt lever to center position (canopy should be moving also) and snap the loop lock back into main frame track.

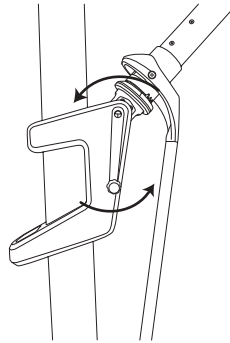


To Close Canopy:

Position yourself behind umbrella. Squeeze the main frame grip handle and slide handle midway down main frame (Fig. 14). Release grip handle to lock into place. Slowly turn the crank lift handle counter-clockwise  until the canopy is fully closed (Fig. 15). Squeeze main frame grip handle to release lock and continue to slide grip handle downward SLOWLY until umbrella is fully closed in an upright position (Fig. 16) and locks into position. **NOTE:** Prior to closing ensure that the canopy is in a level (non-vertical tilt) position. Properly store umbrella when not in use. Close umbrella, tie string around canopy and cover umbrella with provided protective cover.



(Fig. 14)



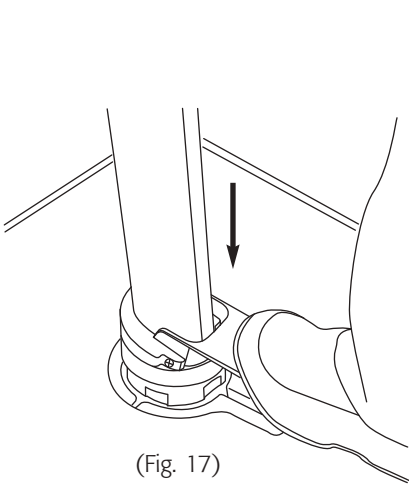
(Fig. 15)



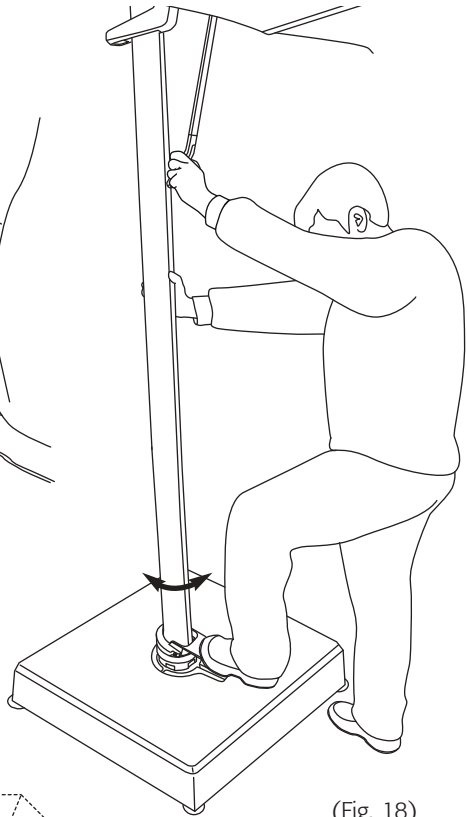
(Fig. 16)

To OPERATE the 360° Rotating Hub Swivel:

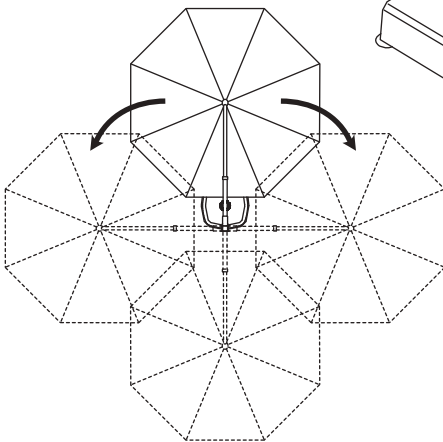
Place your foot on the foot pedal of the rotating hub and *step-on* the foot pedal to release rotating lock (Fig. 17). Place one hand on the main frame and one hand on the tilt lever (Fig. 18), swivel the umbrella frame in either direction until desired position is reached (Fig. 19). Step off the foot pedal to engage rotating lock and lock position (you will hear the pedal click, as it reaches the next available lock position).



(Fig. 17)




(Fig. 18)



(Fig. 19)


To ATTACH Umbrella Light: (sold separately)

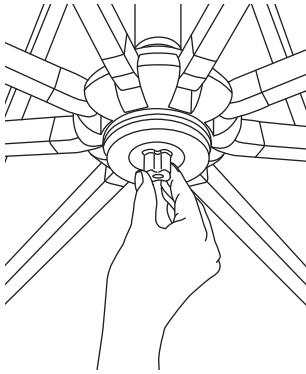
Loosen the light adapter built into the umbrella runner by turning counter-clockwise  (Fig. 20). After loosening, pull down light adapter post (Fig. 21) to attach the umbrella light (sold separately).

To OPEN and ATTACH Light:

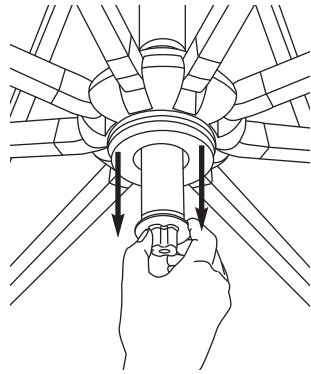
Open the Treasure Garden umbrella light by holding firmly with one hand and then depress the clamp release button with the other hand to release the clamp lock. Open up the light and clasp around the light adapter post (Fig. 22). Snap to close (Fig. 23).

To REMOVE Light and CLOSE adapter:

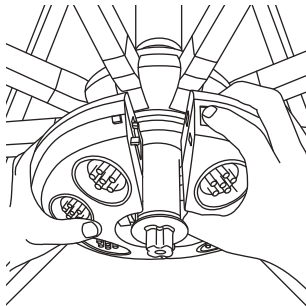
Hold the umbrella light, depress the clamp release button to release the clamp lock. Remove umbrella light and gently push up the light adapter post back into umbrella runner and tighten turning clockwise  **NOTE:** It is not necessary to remove light to close umbrella.



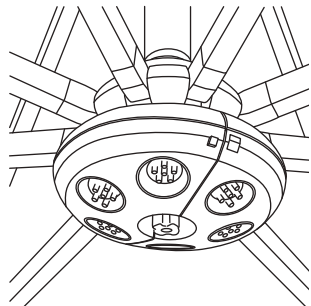
(Fig. 20)



(Fig. 21)



(Fig. 22)



(Fig. 23)

S A F E T Y P R E C A U T I O N S :

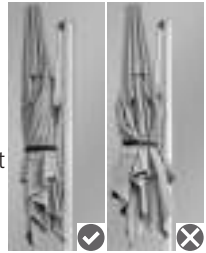
- When adjusting the umbrella, make sure that no person(s) or item(s) are close to the umbrella. This is important to prevent injury or material damage.
- Close the umbrella in windy conditions or when a storm approaches. Never allow the umbrella to flap in the wind; this could damage the canopy. If damage occurs, this is not covered by the warranty.
- Do not leave open umbrella unattended. If damage occurs, this is not covered by the warranty.
- Properly store umbrella when not in use. Close umbrella, properly fold canopy, tie string around canopy and cover umbrella with provided protective cover. See instructions below.

T O P R O P E R L Y F O L D C A N O P Y :

The canopy will last longer if you fold it as it was packed and shipped. This technique is similar to the way a parachute is folded and is especially important when folding the canopy for seasonal storage or when left in the closed position for an extended period of time.

Using this technique at all times will significantly extend the life of the canopy.

- When the canopy has been fully lowered, stand in front of the canopy structure and begin the folding process by pulling out two panels opposite the mast. Pull the two panels together and roll tight into the canopy.
- Once rolled tight, pull adjacent panels out one at a time and fold to the center, alternating sides until all the panels have been pulled out from the arms and folded into the center.
- Tie string around canopy and cover umbrella with provided protective cover.



C A R E A N D M A I N T E N A N C E :

- When not in use, close and cover umbrella with a protective cover.
- If necessary, clean the fabric with lukewarm water, mild detergent, and a sponge.
- Allow a wet canopy to dry slightly opened, but do not leave unattended.
- Wipe sliding marks on the aluminum poles with a damp cloth.

Winter Storage:

- Store in a dry place.

After the Winter:

- Check the condition and function of the umbrella. Any defects must be repaired by a professional.

WARRANTY:

Treasure Garden warrants this product (in residential use) to be free from defects in original materials and workmanship for a period of 2 year from the date of purchase. If a defect in the original material or workmanship appears during the warranty period; Treasure Garden will (at its option) repair or replace the product without charge.

Simply contact your original authorized Treasure Garden dealer with a description of the defect. The dealer will verify the defect and work closely with Treasure Garden to obtain the necessary service. In many cases, simple problems can be solved with a replacement part that can be shipped directly to the dealer for professional installation / repair.

In the event that warranted factory service is required, Treasure Garden will assume the responsibility of the return

freight charges on warranted product for the first year only.

Returned product that (upon receipt and inspection) is deemed to be "not covered" under our warranty, will be shipped / billed at your expense.

This warranty gives you specific legal rights, and you may have other rights which vary from state to state.

RUST: Rust is a natural part of the aging process of steel or iron based materials, and is therefore NOT considered a defect.

NOTE: Failure caused by unreasonable or abusive use, or failure caused by neglect of reasonable and necessary care are not covered by this warranty.

Additionally, acts of nature (including but not limited to wind, hurricanes, tornadoes, and storms) are not covered by this warranty.



www.treasuregarden.com

©2019 Treasure Garden, Inc. - All Rights Reserved.

3/19

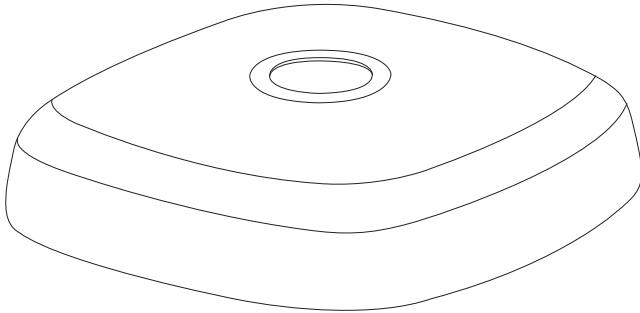
 TREASURE GARDEN

BASE-AKZ

Up to 200 lbs.

Cantilever Base

Assembly and Operation Guide











Thank you for your purchase of Treasure Garden's AKZ Cantilever Base.

Please remove all contents from the package, inspect and review parts list.

CAUTION: To reduce personal injury and damage to your base or umbrella, read and follow this instruction manual. *Save information for future reference.*

BASE-AKZ PART LIST

Part	Description	Qty.
① 	Base Shell	1
② 	Base Lid	1
③ 	Steel Wrench	1
④ 	Inverted Base Stem	1
⑤ 	Inverted Plate	1
⑥ 	5mm Hexagon Wrench	1
⑦ 	Plate Bolts	4
⑧ 	Playground Sand (not included)	200 lbs.

REQUIRED FOR ASSEMBLY:

- 200 lbs. playground sand (not included).

NOTE: Do not put or allow sand into the center of the base shell.


IMPORTANT: Prior to assembly it is important to decide on the location of the AKZ umbrella.

- Allow ample height to avoid damage to your umbrella during assembly and usage.
- Choose a location that is level and sturdy.
- Avoid any sloping or soft ground cover.
- Consider a location that will maximize the umbrella's rotating swivel function. Placing the AKZ between two entertaining areas is ideal.

NOTE: Some parts may be included in the styrofoam packaging. DO NOT discard any packaging or box until assembly is complete.

Base Assembly

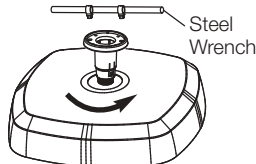
Select area to set AKZ base and place in desired location. **NOTE:** Moving the umbrella will be difficult once fully assembled. Remove inverted plate from inverted base stem (Fig. 1).

Remove the inverted base stem by using the steel wrench (provided) turning counter-clockwise  (Fig. 2), now remove base lid from base shell (Fig. 3). Return inverted base stem to base shell, to keep sand out of base stem channels. (Fig. 4)

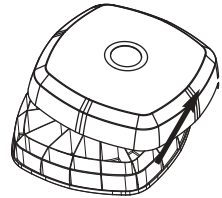
IMPORTANT: Do not allow sand to spill inside the base stem channels, as it will impede further installation. Now, fill each section of the base shell with dry playground sand (Fig. 5). Remove inverted base stem (Fig. 6) from base shell. Place base lid back onto base shell and re-install the inverted base stem (Fig. 7). **IMPORTANT: Carefully, as you tighten the inverted base stem, you will notice clicking/ratcheting sound. Please make sure it is between CLICKS. Do not over tighten inverted base stem or parts may be damaged.** Re-install the inverted plate by tightening with 4 plate bolts with supplied 5mm hexagon wrench (Fig. 8 and 9). Base is now ready for umbrella installation.



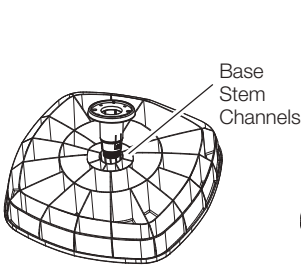
(Fig. 1)



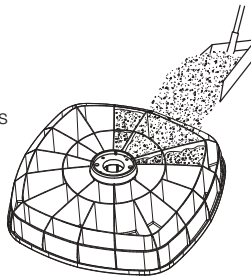
(Fig. 2)



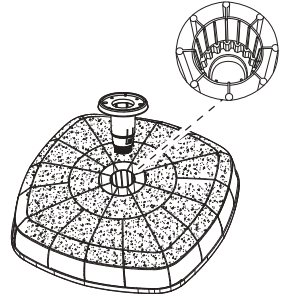
(Fig. 3)



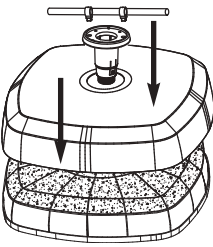
(Fig. 4)



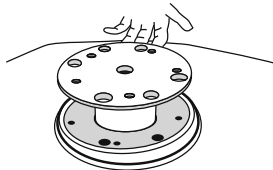
(Fig. 5)



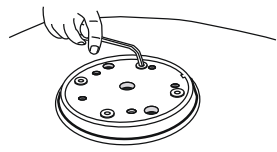
(Fig. 6)



(Fig. 7)



(Fig. 8)



(Fig. 9)

WARRANTY:

Treasure Garden warrants this product (in residential use) to be free from defects in original materials and workmanship for a period of 2 year from the date of purchase. If a defect in the original material or workmanship appears during the warranty period; Treasure Garden will (at its option) repair or replace the product without charge. Limited warranty of 4 years against fabric fading.

Simply contact your original authorized Treasure Garden dealer with a description of the defect. The dealer will verify the defect and work closely with Treasure Garden to obtain the necessary service. In many cases, simple problems can be solved with a replacement part that can be shipped directly to the dealer for professional installation/repair.

In the event that warranted factory service is required, Treasure Garden will assume the responsibility of the return freight charges on warranted product for the first year only.

Returned product that (upon receipt and inspection) is deemed to be "not covered" under our warranty, will be shipped/billed at your expense.

This warranty gives you specific legal rights, and you may have other rights which vary from state to state.

NOTE: Failure caused by unreasonable or abusive use, or failure caused by neglect of reasonable and necessary care are not covered by this warranty.

Additionally, acts of nature (including but not limited to wind, hurricanes, tornadoes, and storms) are not covered by this warranty.



www.treasuregarden.com

©2014 Treasure Garden, Inc. - All Rights Reserved.

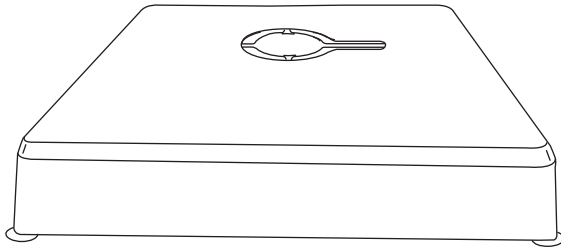
Rev. 8/14

BASE-13

Up to 400 lbs.

Cantilever Base

Assembly and Operation Guide










Thank you for your purchase of Treasure Garden's Cantilever Base.

Please remove all contents from the package, inspect and review parts list.

CAUTION: To reduce personal injury and damage to your base or umbrella, read and follow this instruction manual. We recommend a two-person team for assembly and disassembly. *Save information for future reference.*

BASE-13 PART LIST

Part	Description	Qty.
① 	Base Cover	1
② 	Steel Base Frame	1
③ 	Add-On Weight Containers	4
④ 	Feet	4
⑤ 	Screws	4
⑥ 	Wrench	1
⑦ 	Playground Sand (not included)	400 lbs.

IMPORTANT: Prior to assembly it is important to decide on the location of the umbrella.

- Allow ample height to avoid damage to your umbrella during assembly and usage.
- Choose a location that is level and sturdy.
- Avoid any sloping or soft ground.
- Consider a location that will maximize the umbrella's rotating swivel function. Placing the umbrella between two entertaining areas is ideal.

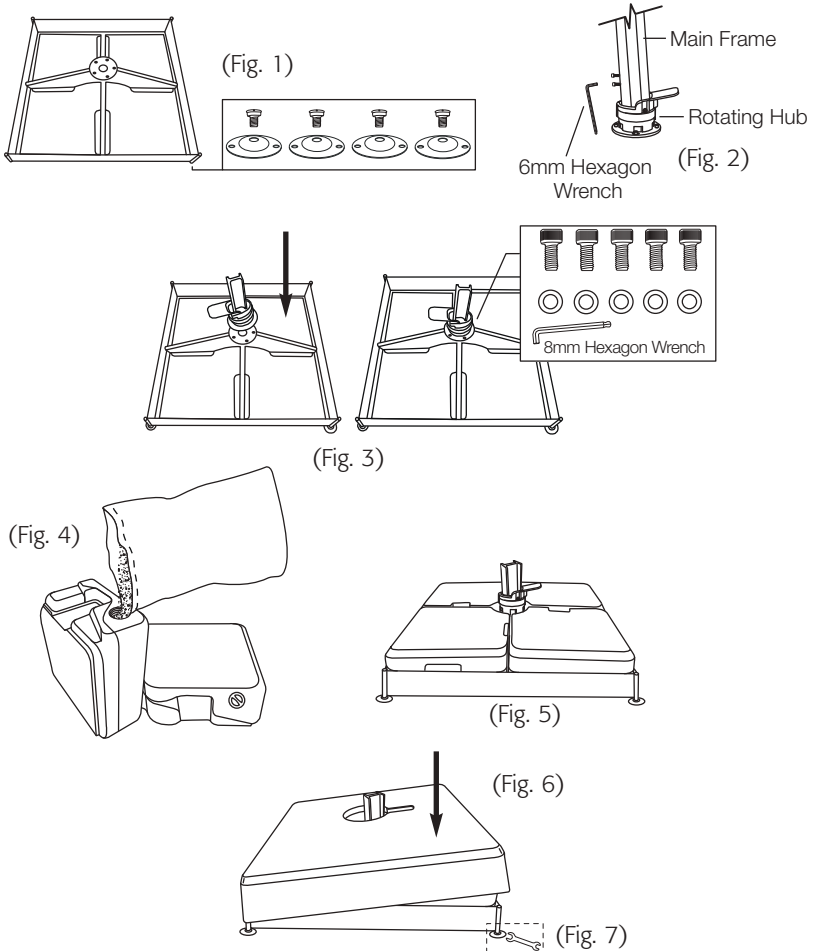
NOTE: Some parts may be included in the styrofoam packaging. DO NOT discard any packaging or box until assembly is complete.

REQUIRED FOR ASSEMBLY:

- 400 lbs. playground sand (not included).

Base Assembly

Select area to set base frame and place in desired location. **NOTE:** Moving the umbrella will be difficult once fully assembled. Screw (4) feet onto bottom of base frame with supplied (4) screws (Fig. 1). Remove rotating hub from the main frame (sold separately) by removing the (2) bolts and (2) washers (Fig. 2), set aside bolts and washers for later use. Now, place rotating hub onto base frame and secure with supplied (5) hub bolts and washers included with umbrella (Fig. 3). Remove caps from each add-on weight container and fill with dry playground sand (Fig. 4). The containers hold up to 400 lbs. of sand. Fill each add-on weight with playground sand. Place each add-on weight container into base frame sections (Fig. 5). Carefully place base cover onto base frame (Fig. 6). **LEVELING:** If needed, adjust frame corners using supplied wrench until frame is level (Fig. 7). Your base is now ready for umbrella installation.



CAUTION: Fully assembled, the umbrella weighs over 500 lbs. Moving the umbrella fully assembled will increase the risk of damage to your umbrella and/or can cause serious injury. We recommend a two-person team for assembly and disassembly.

WARRANTY:

Treasure Garden warrants this product (in residential use) to be free from defects in original materials and workmanship for a period of 2 year from the date of purchase. If a defect in the original material or workmanship appears during the warranty period; Treasure Garden will (at its option) repair or replace the product without charge.

Simply contact your original authorized Treasure Garden dealer with a description of the defect. The dealer will verify the defect and work closely with Treasure Garden to obtain the necessary service. In many cases, simple problems can be solved with a replacement part that can be shipped directly to the dealer for professional installation / repair.

In the event that warranted factory service is required, Treasure Garden will assume the responsibility of the return

freight charges on warranted product for the first year only.

Returned product that (upon receipt and inspection) is deemed to be "not covered" under our warranty, will be shipped / billed at your expense.

This warranty gives you specific legal rights, and you may have other rights which vary from state to state.

RUST: Rust is a natural part of the aging process of steel or iron based materials, and is therefore NOT considered a defect.

NOTE: Failure caused by unreasonable or abusive use, or failure caused by neglect of reasonable and necessary care are not covered by this warranty.

Additionally, acts of nature (including but not limited to wind, hurricanes, tornadoes, and storms) are not covered by this warranty.



www.treasuregarden.com

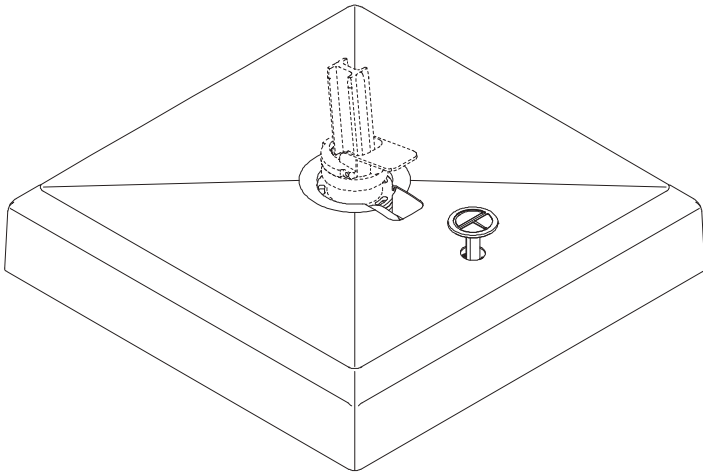
©2014 Treasure Garden, Inc. - All Rights Reserved.

Rev. 8/14

BASE-13R

Cantilever Rolling Base

Assembly and Operation Guide









Thank you for purchasing Treasure Garden's Cantilever Rolling Base.

Please remove all contents from the package, inspect and review parts list.

CAUTION: To reduce personal injury and damage to your base or umbrella, read and follow this instruction manual. We recommend a two-person team for assembly and disassembly. *Save information for future reference.*

BASE-13R PART LIST

Part		Description	Qty.
①		Base Cover	1
②		Steel Base Frame with wheels	1
③		Add-On Weight Containers	4
④		Pedal	1
⑤		All-Purpose Sand (not included)	230 lbs.
⑥		Water (not included)	2 gallons

IMPORTANT:

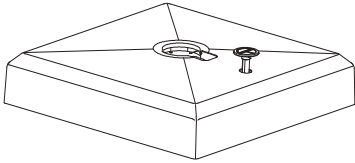
- Allow ample height to avoid damage to your umbrella during assembly and usage.
- Choose a location that is level and sturdy.
- Avoid any sloping or soft ground.

NOTE: Some parts may be included in the styrofoam packaging. DO NOT discard any packaging or box until assembly is complete.

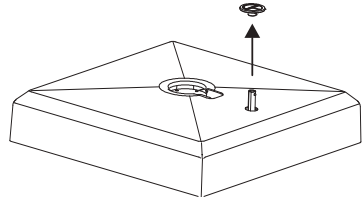
CAUTION: Make sure fingers, toes and any other parts of the body are clear from under the base when operating base foot pedal. Failing to do so may result in serious injury.

STEP 1 Base Assembly

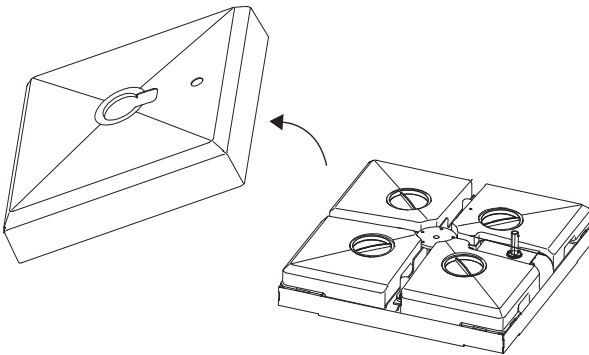
Select area to assemble base. Using a two-person team, lift base from carton and place base in desired location (Fig. 1). **CAUTION:** Avoid fingers getting caught under base! Press the spring loaded lock located under foot pedal to remove pedal and set aside (Fig. 2). Remove base lid from base frame and set aside (Fig. 3). Remove (4) add-on weight containers from base frame (Fig. 4).



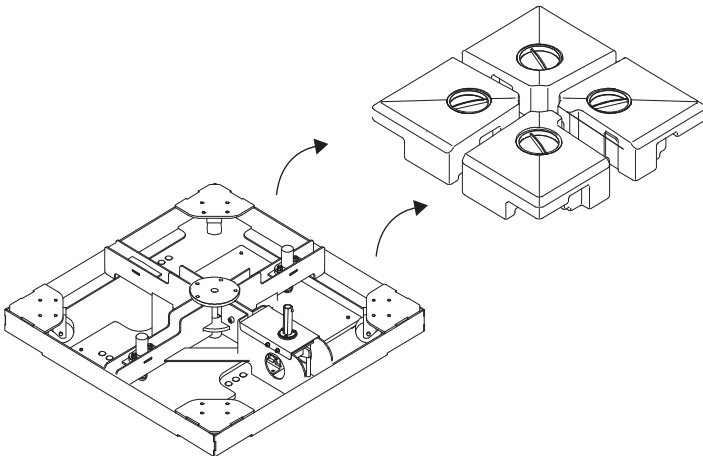
(Fig. 1)



(Fig. 2)



(Fig. 3)

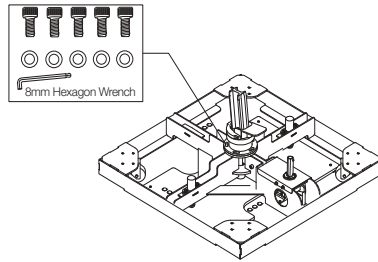


(Fig. 4)

Remove rotating hub from the main frame (sold separately) by removing the (2) bolts and (2) washers (Fig. 5) from lower backside of umbrella. Set aside bolts and washers for later use. Now, place rotating hub onto base frame and secure with supplied (5) hub bolts and washers included with umbrella (Fig. 6).



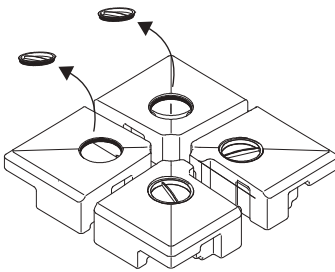
(Fig. 5)



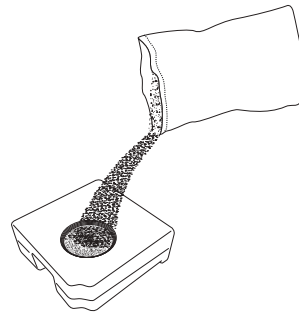
(Fig. 6)

IMPORTANT: Containers hold up to 230 lbs. of sand. To achieve minimum base weight, it is necessary to pack sand into all areas of each container and add water.

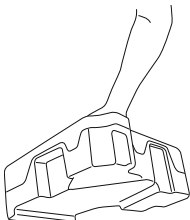
Remove cap from add-on weight container (Fig. 7). Fill container with 1/2 a bag of sand, approximately 25 lbs. (Fig. 8). Tilt container on its side (Fig. 9) and pack sand deep into corners while container is tilted (Fig. 10). Add 1/4 gallon of water. Once water sinks into sand, pack sand down again. Add remaining bag of sand to container, while continuing to pack sand down. Add another 1/4 gallon water to container. Once water sinks into sand, add additional sand to container until full. Remove/clean excess sand from container cap and threads. Secure cap on container. Repeat process with each container.



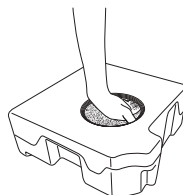
(Fig. 7)



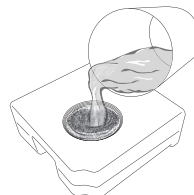
(Fig. 8)



(Fig. 9)

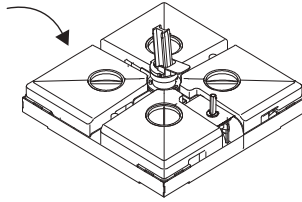


(Fig. 10)



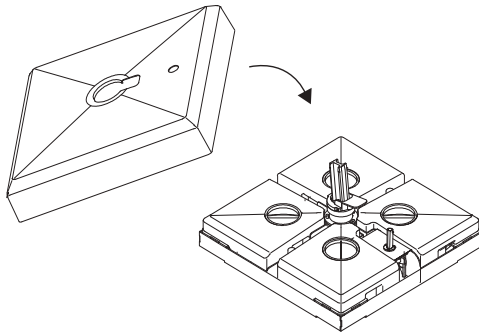
(Fig. 11)

Place each add-on weight container back into base frame sections (Fig. 12). **Note:** Add-on weight containers only fit one direction.

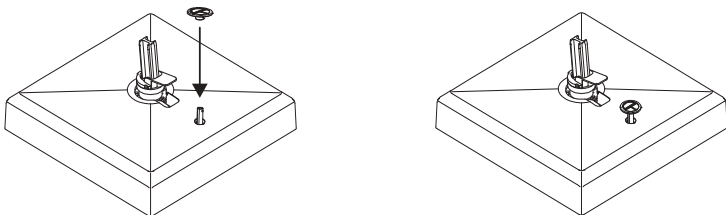


(Fig. 12)

Carefully place base lid onto base frame (Fig. 13). Re-attach foot pedal (Fig. 14). Your base is now ready for umbrella installation. Please refer to umbrella manual for installation instructions. **NOTE:** You may roll assembled base to desired location prior to installing umbrella onto base. Proceed to Step 2 for instructions how to operate base.



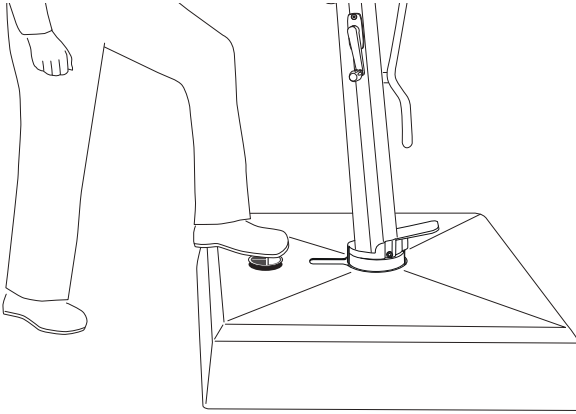
(Fig. 13)



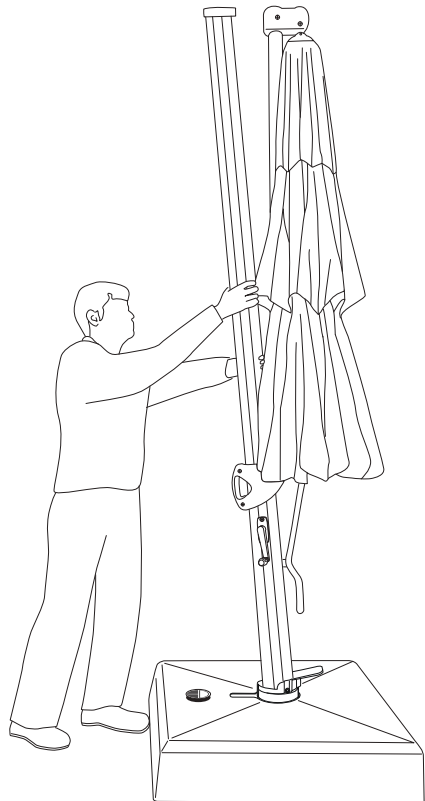
(Fig. 14)

STEP 2 Operating Rolling Base

To move your base/umbrella to a new desired location, firmly step down on the base foot pedal to unlock base wheels (Fig. 15). Roll base to new location (Fig. 16). Firmly step down on foot pedal again to lock wheels and position in place (Fig. 15).



(Fig. 15)



(Fig. 16)

WARRANTY:

Treasure Garden warrants this product (in residential use) to be free from defects in original materials and workmanship for a period of 2 year from the date of purchase. If a defect in the original material or workmanship appears during the warranty period; Treasure Garden will (at its option) repair or replace the product without charge.

Simply contact your original authorized Treasure Garden dealer with a description of the defect. The dealer will verify the defect and work closely with Treasure Garden to obtain the necessary service. In many cases, simple problems can be solved with a replacement part that can be shipped directly to the dealer for professional installation / repair.

In the event that warranted factory service is required, Treasure Garden will assume the responsibility of the return

freight charges on warranted product for the first year only.

Returned product that (upon receipt and inspection) is deemed to be "not covered" under our warranty, will be shipped / billed at your expense.

This warranty gives you specific legal rights, and you may have other rights which vary from state to state.

RUST: Rust is a natural part of the aging process of steel or iron based materials, and is therefore NOT considered a defect.

NOTE: Failure caused by unreasonable or abusive use, or failure caused by neglect of reasonable and necessary care are not covered by this warranty.

Additionally, acts of nature (including but not limited to wind, hurricanes, tornadoes, and storms) are not covered by this warranty.



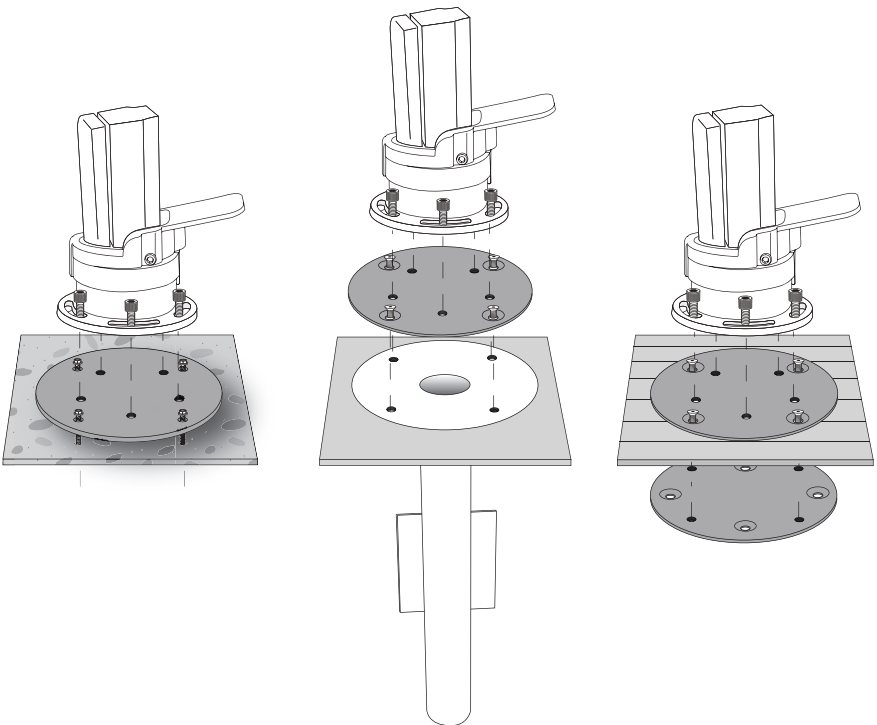
www.treasuregarden.com

©2019 Treasure Garden, Inc. - All Rights Reserved.

Rev. 10/19

AMK-C AMK-G AMK-W Mount Kits

Assembly and Operation Guide



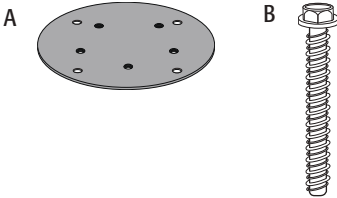
Thank you for purchasing Treasure Garden's AMK Mount Kit.

Please remove all contents from the package, inspect and review checklist.

AMK MOUNT KIT CHECK LIST

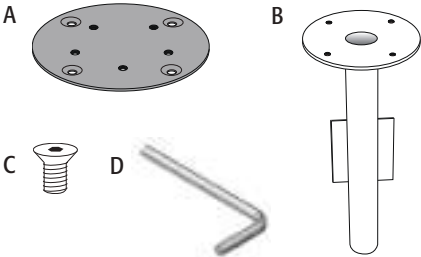
Concrete Mount Kit check list:

- A - Adapter Plate (8.5" diameter)
- B - Screw Anchors 3/8" x 3" (4)



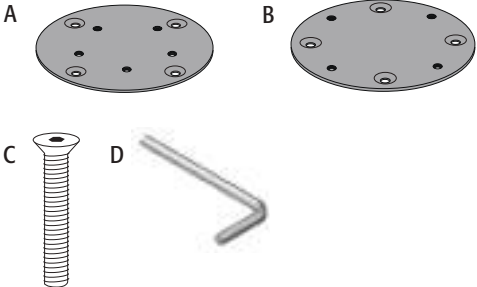
In-Ground Fitting Kit check list:

- A - Adapter Plate (8.5" diameter)
- B - In-Ground Fitting
- C - Stem Bolts (4)
- D - Hex Wrench



Wooden Deck Mount Kit check list:

- A - Adapter Plate
- B - Base Plate
- C - Round Countersunk Bolts (4)
- D - Hex Wrench

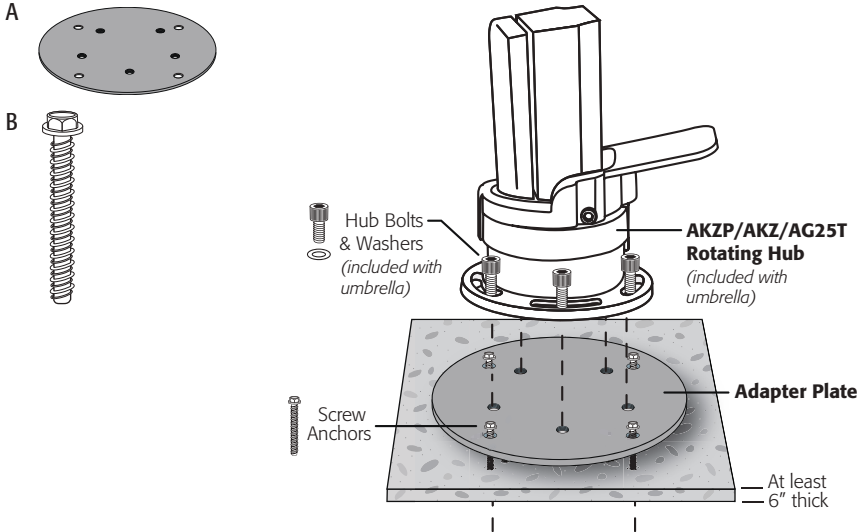


CONCRETE MOUNT KIT

Concrete Mount Kit includes:

A - Adapter Plate (8.5" diameter)

B - Screw Anchors 3/8" x 3" (4)



STEP 1 Bolt Adapter Plate

Final installation hardware should be determined by and professionally installed by a license contractor. Bolt the adapter plate (countersunk holes faced down) to an existing concrete slab (or through no thicker than 1" pavers or tiles adhered to a concrete slab) using the supplied screw anchors. Use a 5/16" masonry drill bit for holes.

STEP 2 Bolt Rotating Hub to Adapter Plate

Align rotating hub holes with adapter plate holes. Insert (5) hub bolts and tighten using hex wrench to secure. **Note:** Rotating hub, hub bolts/washers and hex wrench are included with umbrella.

STEP 3 Attach Umbrella

Slide frame over the newly mounted rotating hub. See your umbrella instruction manual for further assistance.

You are now ready to operate your umbrella!

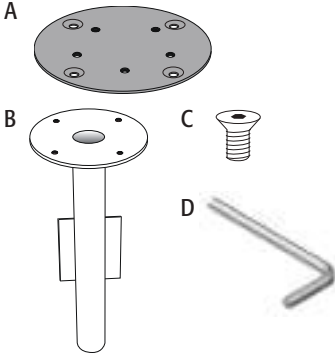
REMOVAL:

To remove your umbrella for seasonal storage or to move it to another base plate or in-ground fitting, simply undo the hub bolts and remove umbrella from the adapter plate.

IN-GROUND MOUNT KIT

In-Ground Fitting Kit includes:

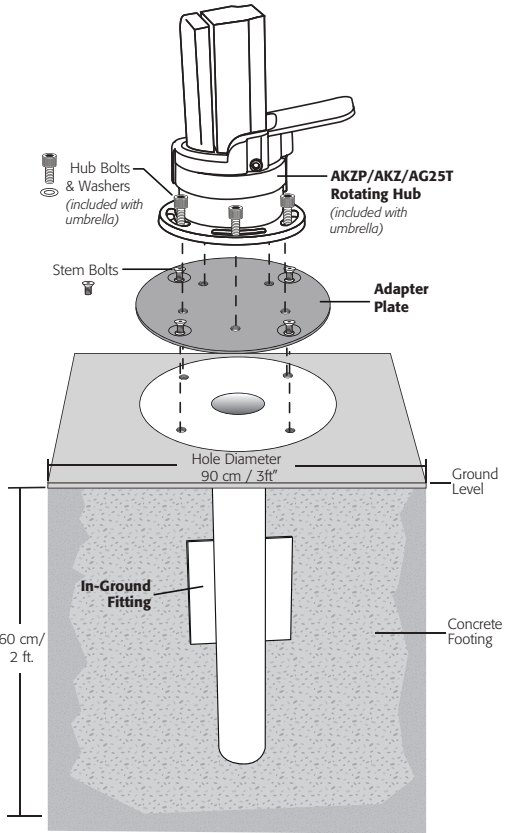
- A - Adapter Plate (8.5" diameter)
- B - In-Ground Fitting
- C - Stem Bolts (4)
- D - Hex Wrench



STEP 1 Preparation

Final installation should be determined by and professionally installed by a license contractor. Dig an approximate 60 cm/2 ft. deep by 90 cm/3 ft. wide hole. Insert in-ground fitting and pour mixed concrete into hole around fitting. Make sure in-ground plate is level.

Note: Do not get slurry in the screw threads. Either apply tape over the holes on both sides of the fitting or place the stem bolts in the threads and remove them when the concrete is almost set. To make the adapter plate flush with the concrete, recess the in-ground fitting 3/8" below the finished surface.



STEP 2 Bolt Adapter Plate

Once concrete has cured, bolt adapter plate onto in-ground fitting. Insert (4) countersunk stem bolts through adapter plate. Tighten all (4) countersunk stem bolts with supplied hex wrench.

STEP 3 Attach Rotating Hub

Align rotating hub holes with adapter plate holes. Insert (5) hub bolts and tighten using hex wrench to secure. **Note:** Rotating hub and hub bolts are included with umbrella.

STEP 4 Attach Umbrella

Slide frame over the newly mounted rotating hub. See your umbrella instruction manual for further assistance.

You are now ready to operate your umbrella!

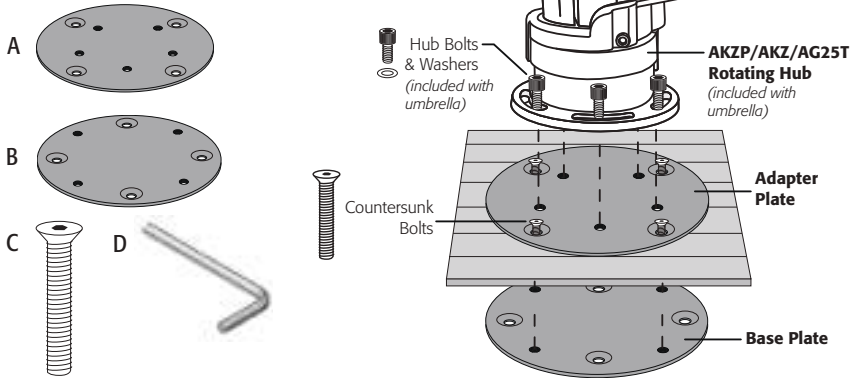
REMOVAL:

To remove your umbrella for seasonal storage or to move it to another base plate or in-ground fitting, simply undo the hub bolts and remove umbrella from the adapter plate.

WOODEN DECK MOUNT KIT

Wooden Deck Mount Kit includes:

- A - Adapter Plate
- B - Base Plate
- C - Countersunk Bolts (4)
- D - Hex Wrench



STEP 1 Adapter Plate

Final installation should be determined by and professionally installed by a license contractor. Locate adapter plate and place in desired location on the deck. The adapter plate should overlap two deck planks equally. Adjust the base plate so that the proper alignment is ensured.

STEP 2 Drilling Deck Planks

Mark the four countersunk holes onto the deck for drilling. Drill four 10mm / $\frac{1}{2}$ " holes through the deck boards for the round countersunk bolts. Remove enough deck screws or nails from these boards to be able to install base plate underneath the boards.

STEP 3 Attach Base and Adapter Plates to Deck Boards

Using four (4) countersunk bolts, attach the base plate and adapter plate together, with the base plate under the deck and the adapter plate on top of the deck boards (Note: If deck is thicker, longer bolts may be required. Your licensed contractor can help determine appropriate size bolts). Insert the (4) countersunk downward through the top of the countersunk holes on adapter plate, through the boards, and screw them into the threaded holes in the bottom base plate. Tighten all (4) countersunk bolts with supplied hex wrench.

STEP 4 Fasten Deck Boards

Refasten the deck boards to the joists by attaching removed screws from Step 2 into the original holes closest to the base plate. Two structural deck screws should be used on either side of the base plate in each board.

STEP 5 Attach Rotating Hub

Align rotating hub holes with adapter plate holes. Insert (5) hub bolts and tighten using hex wrench to secure. **Note:** Rotating hub and hub bolts are included with umbrella.

STEP 6 Attach Umbrella

Slide frame over the newly mounted rotating hub. See your umbrella instruction manual for further assistance.

You are now ready to operate your umbrella!

REMOVAL:

To remove your umbrella for seasonal storage or to move it to another base plate or in-ground fitting, simply undo the hub bolts and remove umbrella from the adapter plate.

DISCLAIMER:

THE AMK MOUNTING KIT SHOULD ONLY BE PROFESSIONALLY INSTALLED BY A LICENSED CONTRACTOR DULY QUALIFIED TO PERFORM THE INSTALLATION. TREASURE GARDEN® ASSUMES NO LIABILITY AND EXPRESSLY DISCLAIMS ANY RESPONSIBILITY FOR INJURIES OR DAMAGES ARISING FROM OR RELATED TO THE FAILURE OF BUYER TO HAVE THE AMK MOUNTING KIT INSTALLED BY A LICENSED PROFESSIONAL CONTRACTOR. TREASURE GARDEN MAKES NO WARRANTY EXCEPT AS EXPRESSLY STATED HEREIN, AND NO WARRANTY EXCEPT TITLE TO MATERIALS FURNISHED SHALL BE IMPLIED WITH RESPECT TO THIS ORDER.

DISCLAIMER OF WARRANTIES: EXCEPT AS HEREIN EXPRESSLY SET FORTH, THIS PRODUCT IS SOLD "AS IS" AND "WITH ALL FAULTS", AND WITHOUT ANY IMPLIED WARRANTY OF MERCHANTABILITY -- WHICH WARRANTY IS HEREBY EXPRESSLY EXCLUDED. THIS PRODUCT IS SOLD WITHOUT ANY IMPLIED WARRANTY OF FITNESS FOR A PARTICULAR PURPOSE -- WHICH WARRANTY IS HEREBY EXPRESSLY EXCLUDED. MOREOVER, THERE ARE NO WARRANTIES WHICH EXTEND BEYOND THE DESCRIPTION ON THE FACE HEREOF."

WARRANTY:

Treasure Garden warrants this product (in residential use) to be free from defects in original materials and workmanship for a period of 1 year from the date of purchase. If a defect in the original material or workmanship appears during the warranty period; Treasure Garden will (at its option) repair or replace the product without charge.

Simply contact your original authorized Treasure Garden dealer with a description of the defect. The dealer will verify the defect and work closely with Treasure Garden to obtain the necessary service. In many cases, simple problems can be solved with a replacement part that can be shipped directly to the dealer for professional installation / repair.

In the event that warranted factory service is required, Treasure Garden will

assume the responsibility of the return freight charges on warranted product for the first year only.

Returned product that (upon receipt and inspection) is deemed to be "not covered" under our warranty, will be shipped / billed at your expense.

This warranty gives you specific legal rights, and you may have other rights which vary from state to state.

RUST: Rust is a natural part of the aging process of steel or iron based materials, and is therefore NOT considered a defect.

NOTE: Failure caused by unreasonable or abusive use, or failure caused by neglect of reasonable and necessary care are not covered by this warranty.

Additionally, acts of nature (including but not limited to wind, hurricanes, tornadoes, and storms) are not covered by this warranty.

CAUTION: HANDLE WITH CARE

- To reduce personal injury and damage, read and follow this Assembly and Operation information.
- Close the umbrella in windy conditions or when a storm approaches. Never allow the umbrella to flap in the wind; this could damage the canopy.
- Do not leave open umbrella unattended.
- Do not allow children to play on or with the base.



www.treasuregarden.com

©2019 Treasure Garden, Inc. - All Rights Reserved.

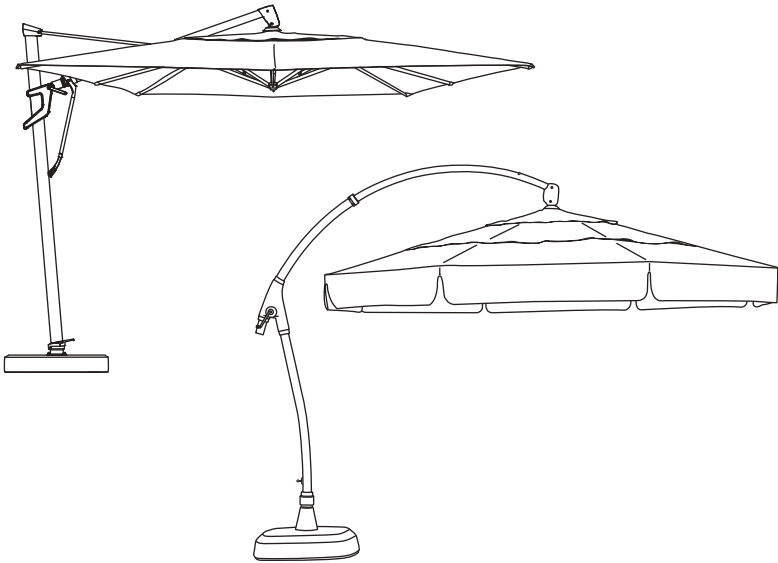
Rev. 11/19

Canopy Replacement

AKZP/AKZ/AG28/AG78/AG19

Octagon/Square/Rectangle Styles

Instruction Manual



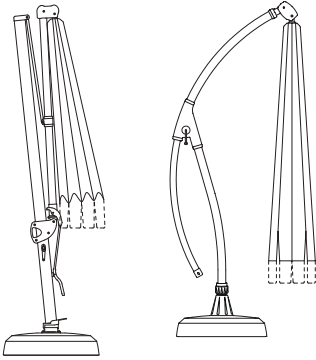
CANTILEVER CANOPY REPLACEMENT

STEP 1

Make sure umbrella is in closed position (Fig. 1).

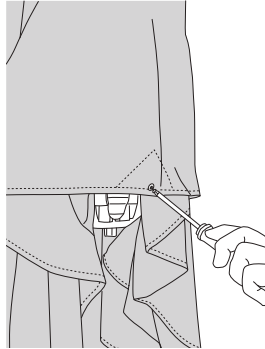
For octagon canopies, please skip to Step 2.

For square and rectangle canopies, use a phillips screwdriver to unscrew all 8 screws from spring loaded rib end caps (Fig. 2) and set screws aside for later use.



Style Examples

(Fig. 1)

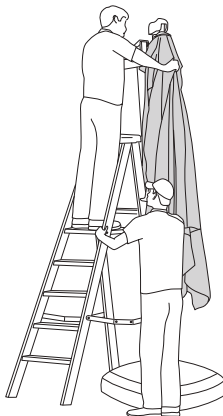


(Fig. 2)

STEP 2

NOTE: A ladder and two-person team recommended for canopy removal and replacement.

While one person holds the ladder for safety, the second person climbs the ladder until they reach top of the umbrella (Fig. 3).

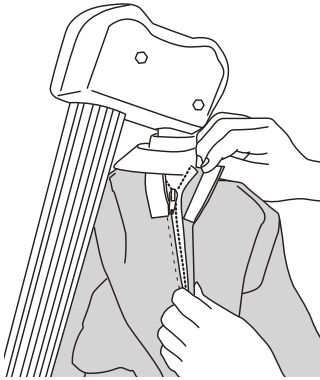


(Fig. 3)

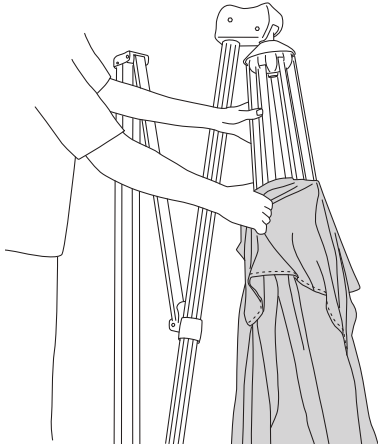
STEP 3

Depending on your cantilever model, velcro and/or zipper styles may vary.

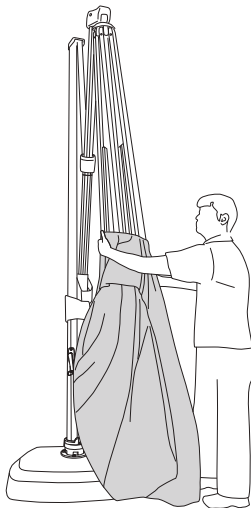
From the top of the canopy, open velcro flap(s) and unzip (if applicable) canopy (Fig. 4). Begin to slide canopy down ribs (Fig. 5). Safely step down ladder and continue to remove canopy (Fig. 6).



(Fig. 4)



(Fig. 5)



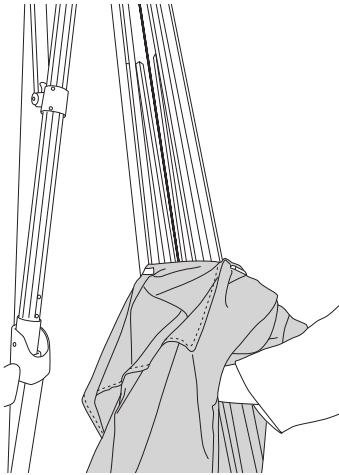
(Fig. 6)

STEP 4

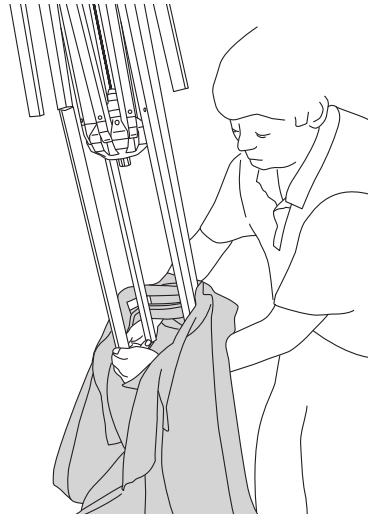
Unfold new replacement canopy. Gather bottom of canopy (larger opening) to the top of canopy (smaller opening).

For octagon canopies, slide top opening of canopy over all 8 ribs (Fig. 7). For square and rectangle canopies, start by sliding top opening of canopy over the 4 longest ribs (Fig. 8). When the 4 longest ribs are inside canopy, pull the canopy up slightly and pull canopy over the 4 shortest ribs.

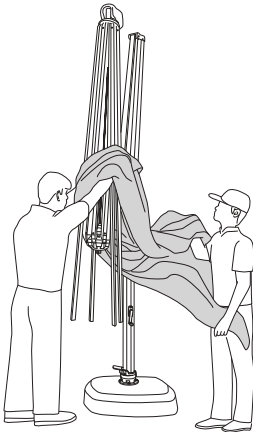
Once all 8 ribs are inside canopy, begin to slide canopy up while second person holds canopy to prevent canopy from dragging on floor and getting dirty (Fig. 9). Continue to slide canopy up ribs while safely climbing up ladder and second person moving over to ladder for extra support (Fig. 10).



(Fig. 7)



(Fig. 8)



(Fig. 9)

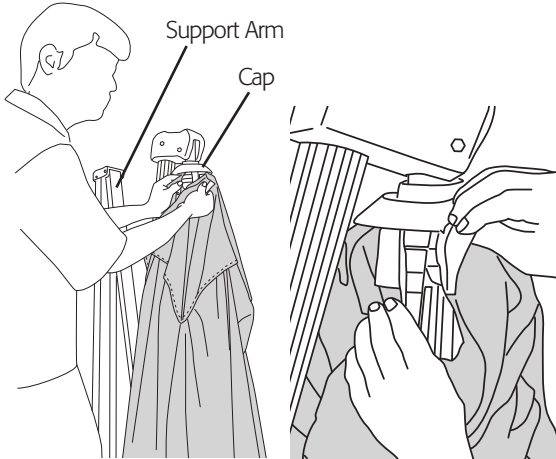


(Fig. 10)

STEP 5

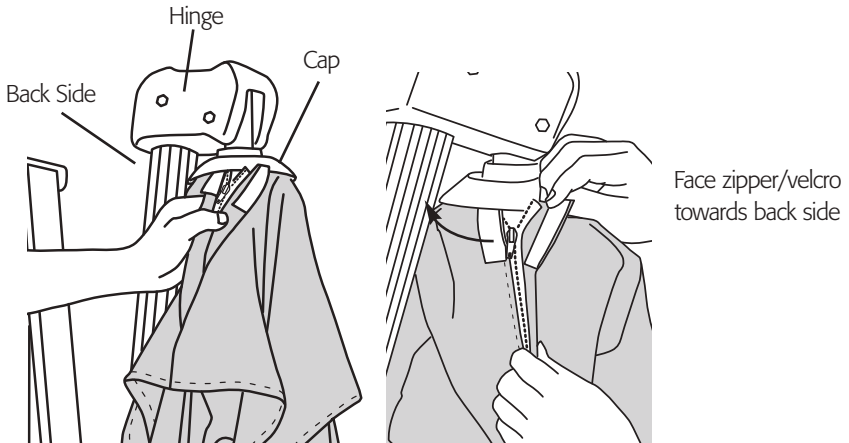
When you reach the top of the umbrella, slide canopy down under cap (Fig. 12).

NOTE: Make sure velcro and zipper on canopy are facing the back side (towards the canopy support arm). Velcro top together first to keep canopy from sliding back down ribs (Fig. 13). Zip up canopy and velcro flap together (Fig. 14). Tuck canopy under cap.



(Fig. 12)

(Fig. 13)

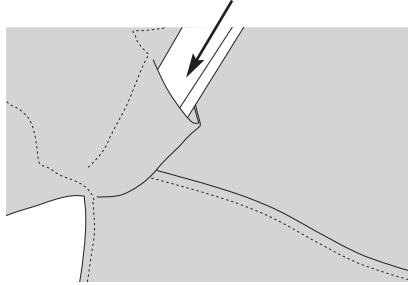


(Fig. 14)

STEP 6

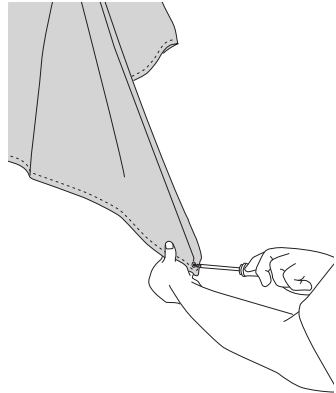
Safely climb down ladder. Line up ends of canopy with spring loaded rib ends.

For octagon canopies, slide spring loaded rib ends into canopy pockets located under canopy (Fig. 15).



(Fig. 15)

For square and rectangle canopies, attach 8 screws back onto end of canopy and spring loaded rib end caps (Fig. 16).



(Fig. 16)

Smooth out canopy as necessary. Your umbrella is now ready for use.



www.treasuregarden.com

©2019 Treasure Garden, Inc. - All Rights Reserved.

Rev. 7/19

HOW TO RE-CORD AKZ PLUS CANTILEVER

Note: Thoroughly read instructions before attempting to replace cord. These steps must be performed with the cantilever removed from base or mount, and canopy taken off frame.

STEP 1 Remove Broken Cord From Lower Hub

Remove the AKZ Plus from the rotating hub by unscrewing the 2 main frame bolts at the bottom of the main frame and set aside. Lift the AKZ Plus frame off the rotating hub and place on a soft flat surface with crank handle side facing up.



From lower hub, turn light adapter counter clockwise and pull down. Remove 2 screws using a phillips screwdriver.



Set aside light adapter cap and 2 screws.



If cord is visible, cut cord.



Push cord through top of lower hub until cord and cord end stopper come out from lower hub. Remove ball from cord and set aside.



Remove cord end stopper from cord and set aside.

STEP 2 Remove Main Frame Cap



Using a 6mm hex wrench, remove bolt and washer from support arm side of main frame cap.



Using a 13mm socket wrench, remove nut from canopy structure side of main frame cap.



Keeping parts inside intact, remove main frame cap.



Set cap, bolt and 2 nuts aside.



Pull cord out from head of canopy structure.



STEP 3 Detach Tilt Lever



Make sure tilt lever is detached from main frame.

STEP 4 Disassemble Main Frame Grip Housing

NOTE: When removing the main frame grip housing cover, it is important to leave parts intact, unless specified.



Using a 2.5mm hex wrench, loosen small screw located on top of crank handle. Remove crank handle and set aside.



Using a 6mm hex wrench, loosen (4) bolts and nuts in main frame grip housing.



Remove main frame grip housing cover, along with (4) bolts and nuts. Set aside.
NOTE: Spring may pop out from handle. Reinsert or set aside.



Be sure to keep internal parts intact on other side cover and main frame.

STEP 5 Remove Crank Mechanism



Lift and remove crank mechanism from main frame grip housing.



Using a 3mm hex wrench, remove 3 screws.



Set aside 3 screws and retainer.



Remove crank mechanism from tilt degree housing. Pull cord completely out from tilt degree housing.



Remove tilt degree cylinder coupler from crank housing and cord.



Set aside tilt degree cylinder coupler.



STEP 6 Assemble NEW Crank Mechanism to Tilt Degrees Mechanism

Through this side of tilt degree cylinder coupler.



Now that your crank has been reassembled, locate tilt degree cylinder coupler, retainer and 3 screws for next step.

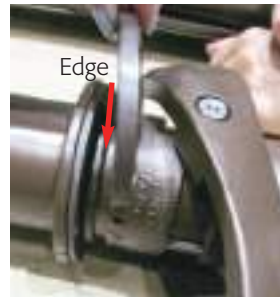
Insert end of new cord through tilt degree cylinder coupler.

Slide tilt degree cylinder coupler over crank mechanism.



Insert end of cord through tilt degree mechanism, until cord comes out top of umbrella. Gently pull the cord out from top of umbrella.

Insert crank mechanism back into tilt degree mechanism.



Line up holes on crank mechanism to tilt degrees mechanism.

Line up middle holes with 0° on tilt degrees mechanism.

Locate retainer and 3 screws.

Attach retainer to tilt degrees mechanism. NOTE: Make sure retainer is placed over tilt degrees mechanism edge.



While holding crank mechanism, tilt degree cylinder coupler and retainer together, secure with 3 bolts using a 3mm hex wrench.

Lower tilt lever back down to main frame.



STEP 7 Install Crank Mechanism onto Grip Handle Mechanism



Make sure crank shaft is lined up with tilt lever bolt.



Set crank handle mechanism into grip handle housing.



Locate main frame grip housing cover and (4) bolts and nuts.



Assemble main frame grip cover back onto housing.



Make sure to re-insert spring into handle before closing housing cover.



Attach nut under grip housing and tighten each of the 4 bolts to each nut using a 6mm hex wrench.



Once bolts and nuts are tightened, test grip handle to make sure it is properly functioning.



Reattach crank handle. Tighten small screw with 2.5mm hex wrench to secure.

STEP 8 Attach Main Frame Cap



Make sure cord is on the outer side of the cord guide.



Pull cord out and over to insert cord through top left side of white cap. Continue to feed cord through until cord is fully inserted.



May be necessary to pull cord through top runner.





Locate main frame cap, bolt and 2 nuts.



Line up and attach main frame cap.



Using 6mm hex wrench, tighten long bolt and nut.



Using a 13mm socket wrench, tighten nut to bolt.

STEP 9 Assembly Lower Hub



Insert cord into top of lower hub.



Pull cord out from lower hub.



Slide cord through smaller hole in cord end stopper.



While holding ribs slightly open, pull cord out and tie knot.



Tied knot with cord end stopper.



Gently lower ribs back down. Check to make sure cord is taut. If not, repeat previous step.



Pull out light adapter from lower hub and reattach cap with 2 screws.



Tighten 2 screws using phillips screwdriver. Gently push light adapter back into umbrella lower hub and tighten turning clockwise.

REPLACEMENT COMPLETE. TEST TO ENSURE PROPER FUNCTION.

Lift AKZ Plus and carefully place back onto rotating hub. Reinsert and tighten the main frame bolts to affix the main frame stand to the rotating hub. Test.



www.treasuregarden.com

©2018 Treasure Garden, Inc. - All Rights Reserved.