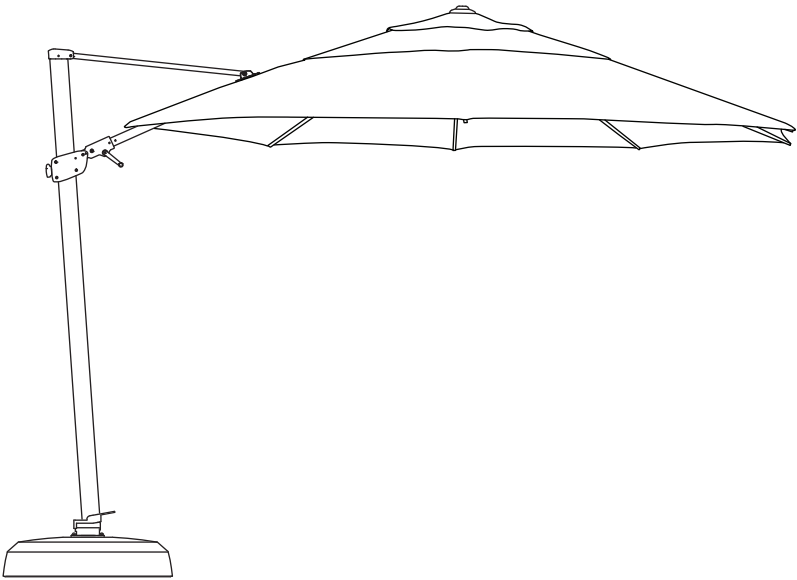


AG25T/AG25TSQ

11.5'oc/10'sq

Cantilever

Assembly and Operation Guide



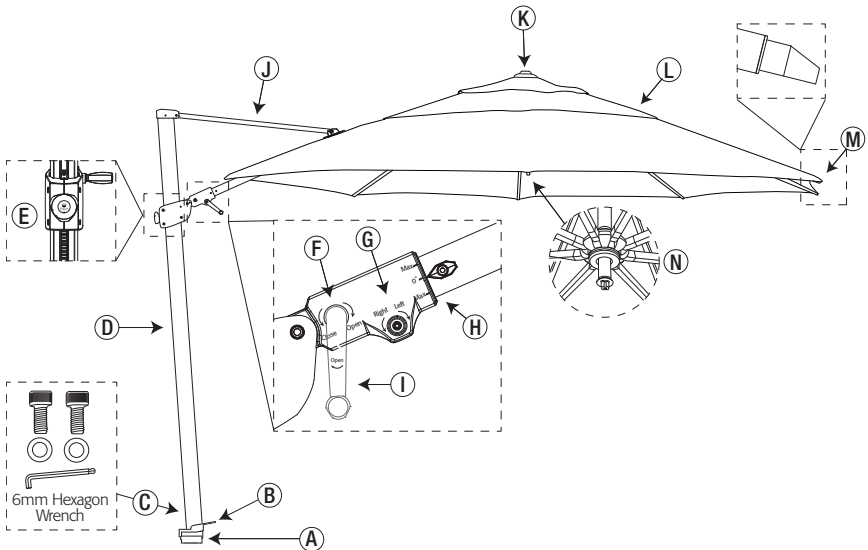
Thank you for purchasing Treasure Garden's AG25T Cantilever Umbrella.

Please remove all contents from the package, inspect and review checklist.

CAUTION: To reduce personal injury and damage to your umbrella, read and follow this assembly and operation guide. We recommend a two-person team for assembly and disassembly. *Save information for future reference.*

CHECKLIST

- | | |
|--------------------------|---|
| A - 360° Rotating Hub | H - Tilt Degree Scale |
| B - Foot Pedal | I - Crank Handle |
| C - Hardware | J - Canopy Support Beam |
| D - Main Frame | K - Finial |
| E - Adjustment Knob | L - Canopy - Single or Double Wind Vent |
| F - Open/Close Mechanism | M - Spring Loaded Rib End Cap |
| G - Tilt Mechanism | N - Light Adapter (light sold separately) |



NOTE: REFER TO SEPARATE BASE-13, BASE-AKZ OR MOUNT KIT MANUAL FOR BASE/MOUNT ASSEMBLY PRIOR TO PROCEEDING.

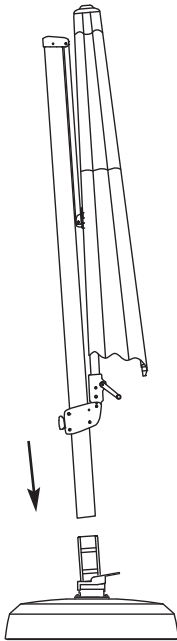
STEP 1 Umbrella Assembly

Two-persons recommended for team lift and to complete assembly.

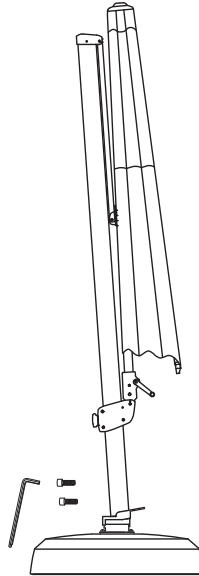
With base cover in place or mount kit installed, lift umbrella up and insert the main frame onto the installed rotating hub (Fig. 1). Secure umbrella into place by inserting the (2) bolts and (2) washers and tighten using 6mm hexagon wrench provided (Fig. 2).

REMOVE ALL PLASTIC PACKAGING MATERIAL FROM ALL PARTS PRIOR TO OPENING UMBRELLA. CHECK UNDER CANOPY FOR PACKAGING AROUND RIBS.

Your umbrella is now ready to operate!





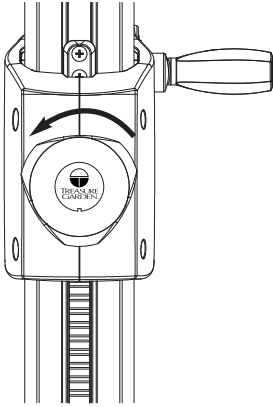
(Fig. 1)



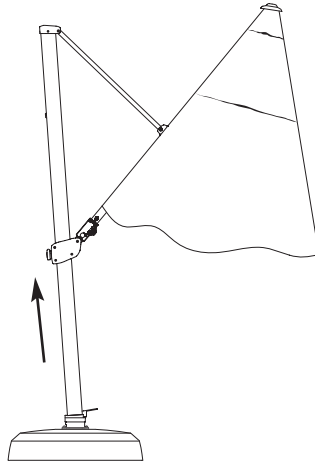
(Fig. 2)

STEP 2 Opening Canopy


In the closed position, turn adjustment knob counter clockwise  (Fig. 3) and slide the adjustment knob upward (Fig. 4). Turn adjustment knob clockwise  to tighten and secure in place.

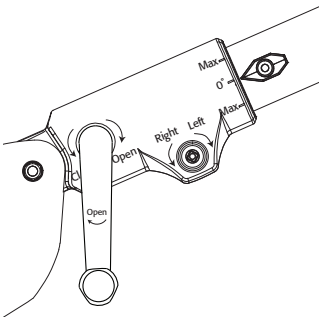


(Fig. 3)

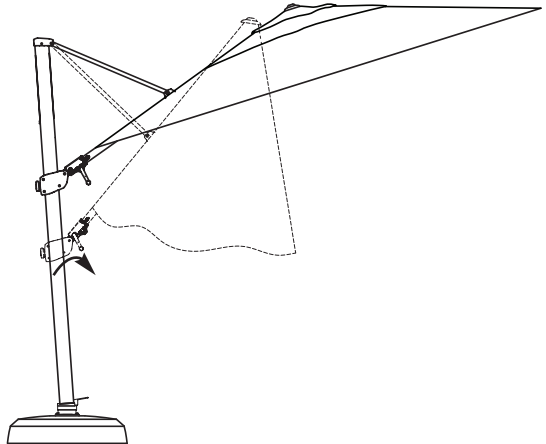


(Fig. 4)

Insert crank handle into “Open/Close” socket in crank mechanism (Fig. 5). Turn crank handle clockwise  until the canopy is fully open (Fig. 6). **CAUTION:** Stop turning the crank handle as soon as the umbrella canopy is completely open and the sleeve on the umbrella center pole has reached its maximum height.





(Fig. 5)

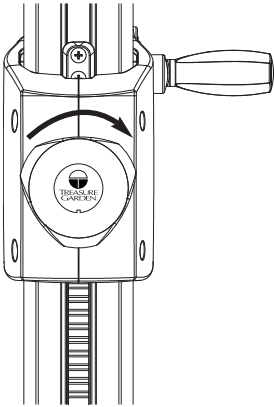


(Fig. 6)

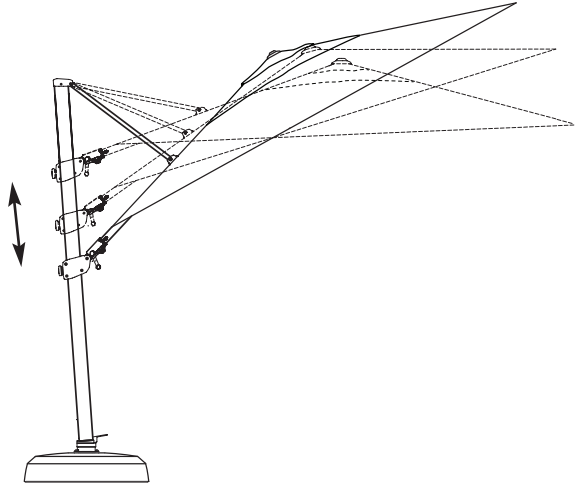
STEP 3 Tilting Canopy

Tilting Front to Back

Turn adjustment knob counter clockwise  (Fig. 7) and slide car up and downward until desired height and angle is reached (Fig. 8). Tighten the adjustment knob clockwise  to lock its position. Note: Do not use tilt function during winds.





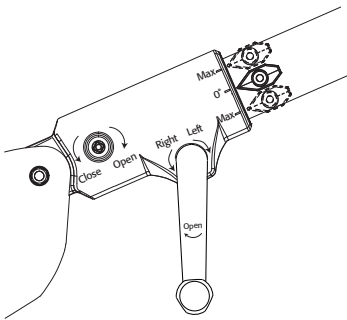
(Fig. 7)



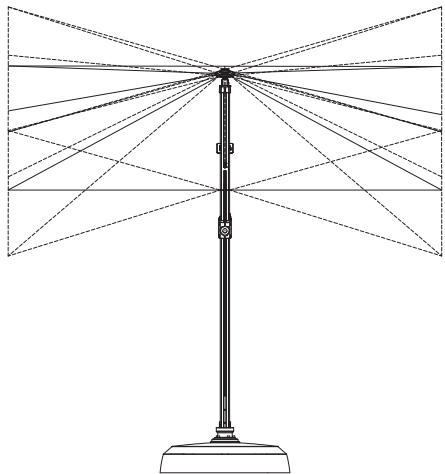
(Fig. 8)

Tilting Left to Right

Insert crank handle into "Right/Left" socket in crank mechanism (Fig. 9). To tilt canopy right, turn crank handle counter clockwise.  To tilt canopy left, turn crank handle clockwise. 

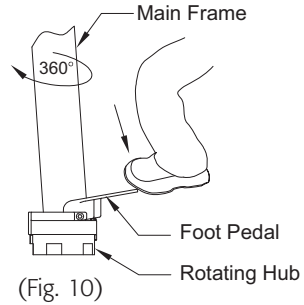
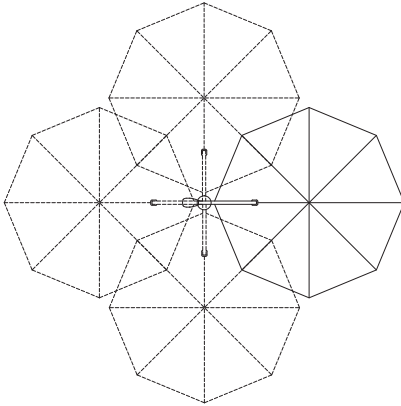


(Fig. 9)





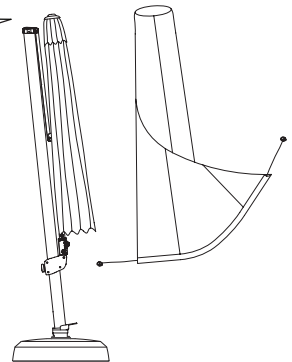
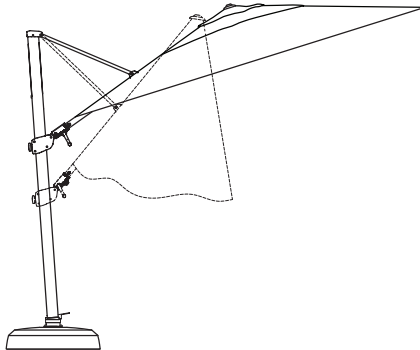
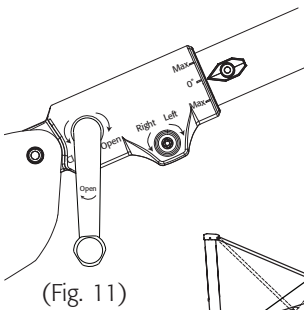
STEP 4 360° Rotating Hub Swivel

Place your foot on the foot pedal of the rotating hub and *step-on* the pedal to release rotating lock (Fig. 10). Place hands on the main frame and rotate the umbrella frame in either direction, in 90° increments. To lock position, step off the foot pedal to engage rotating lock.




STEP 5 Closing Canopy


Insert crank handle into "Open/Close" socket in crank mechanism (Fig. 11). Turn crank handle counter clockwise  until the canopy is closed (Fig. 12). Turn adjustment knob counter clockwise  and slide downward until umbrella is in closed position. Tie string around canopy to secure canopy. Cover umbrella with provided protective cover when not in use (Fig. 13).

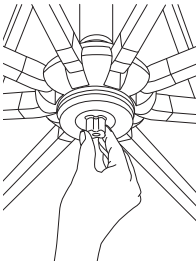


To ATTACH Umbrella Light:

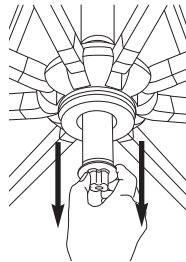
Loosen the light adapter built into the lower hub by turning counter-clockwise  (Fig. 14). After loosening, pull down light adapter post (Fig. 15) to attach the umbrella light (Fig. 16 and 17) (*sold separately*).

To REMOVE Umbrella Light and CLOSE adapter:

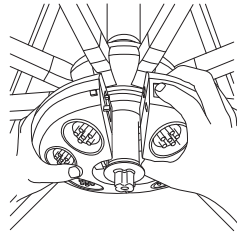
Remove umbrella light, and gently push up the light adapter post back into umbrella runner and tighten turning clockwise  (Fig. 14).



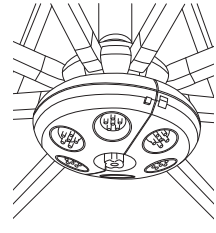
(Fig. 14)



(Fig. 15)



(Fig. 16)



(Fig. 17)

S A F E T Y P R E C A U T I O N S :

- Close the umbrella in windy conditions or when a storm approaches. Never allow the umbrella to flap in the wind; this could damage the canopy.
- Properly store umbrella when not in use. Close umbrella, tie string around canopy and cover umbrella with provided protective cover.
- Do not leave open umbrella unattended. If damage occurs, this is not covered by the warranty.
- When adjusting the umbrella, make sure that no person(s) or item(s) are close to the umbrella. This is important to prevent injury or material damage.

C A R E A N D M A I N T E N A N C E :

- When not in use, close and cover umbrella with a protective cover.
- If necessary, clean the fabric with lukewarm water, mild detergent, and a sponge.
- Allow a wet canopy to dry slightly opened, but do not leave unattended.
- Wipe sliding marks on the aluminum poles with a damp cloth.

Winter Storage:

- Store in a dry place.

After the Winter:

- Check the condition and function of the umbrella. Any defects must be repaired by a professional.

WARRANTY:

Treasure Garden warrants this product (in residential use) to be free from defects in original materials and workmanship for a period of 1 year from the date of purchase. If a defect in the original material or workmanship appears during the warranty period; Treasure Garden will (at its option) repair or replace the product without charge.

Simply contact your original authorized Treasure Garden dealer with a description of the defect. The dealer will verify the defect and work closely with Treasure Garden to obtain the necessary service. In many cases, simple problems can be solved with a replacement part that can be shipped directly to the dealer for professional installation / repair.

In the event that warranted factory service is required, Treasure Garden will assume the responsibility of the return

freight charges on warranted product for the first year only.

Returned product that (upon receipt and inspection) is deemed to be "not covered" under our warranty, will be shipped / billed at your expense.

This warranty gives you specific legal rights, and you may have other rights which vary from state to state.

RUST: Rust is a natural part of the aging process of steel or iron based materials, and is therefore NOT considered a defect.

NOTE: Failure caused by unreasonable or abusive use, or failure caused by neglect of reasonable and necessary care are not covered by this warranty.

Additionally, acts of nature (including but not limited to wind, hurricanes, tornadoes, and storms) are not covered by this warranty.



www.treasuregarden.com

©2018 Treasure Garden, Inc. - All Rights Reserved.

8/18

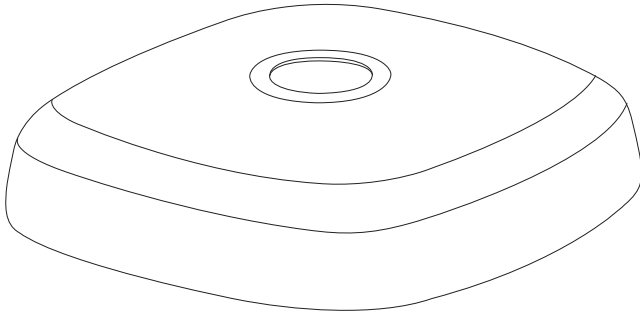
 TREASURE GARDEN

BASE-AKZ

Up to 200 lbs.

Cantilever Base

Assembly and Operation Guide





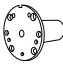





Thank you for your purchase of Treasure Garden's AKZ Cantilever Base.

Please remove all contents from the package, inspect and review parts list.

CAUTION: To reduce personal injury and damage to your base or umbrella, read and follow this instruction manual. *Save information for future reference.*

BASE-AKZ PART LIST

Part	Description	Qty.
① 	Base Shell	1
② 	Base Lid	1
③ 	Steel Wrench	1
④ 	Inverted Base Stem	1
⑤ 	Inverted Plate	1
⑥ 	5mm Hexagon Wrench	1
⑦ 	Plate Bolts	4
⑧ 	Playground Sand (not included)	200 lbs.

REQUIRED FOR ASSEMBLY:

- 200 lbs. playground sand (not included).

NOTE: Do not put or allow sand into the center of the base shell.


IMPORTANT: Prior to assembly it is important to decide on the location of the AKZ umbrella.

- Allow ample height to avoid damage to your umbrella during assembly and usage.
- Choose a location that is level and sturdy.
- Avoid any sloping or soft ground cover.
- Consider a location that will maximize the umbrella's rotating swivel function. Placing the AKZ between two entertaining areas is ideal.

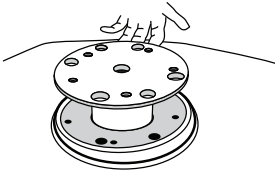
NOTE: Some parts may be included in the styrofoam packaging. DO NOT discard any packaging or box until assembly is complete.

Base Assembly

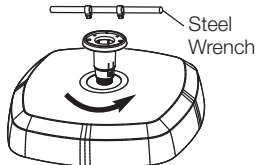
Select area to set AKZ base and place in desired location. **NOTE:** Moving the umbrella will be difficult once fully assembled. Remove inverted plate from inverted base stem (Fig. 1).

Remove the inverted base stem by using the steel wrench (provided) turning counter-clockwise  (Fig. 2), now remove base lid from base shell (Fig. 3). Return inverted base stem to base shell, to keep sand out of base stem channels. (Fig. 4)

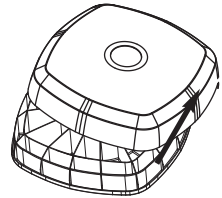
IMPORTANT: Do not allow sand to spill inside the base stem channels, as it will impede further installation. Now, fill each section of the base shell with dry playground sand (Fig. 5). Remove inverted base stem (Fig. 6) from base shell. Place base lid back onto base shell and re-install the inverted base stem (Fig. 7). **IMPORTANT: Carefully, as you tighten the inverted base stem, you will notice clicking/ratcheting sound. Please make sure it is between CLICKS. Do not over tighten inverted base stem or parts may be damaged.** Re-install the inverted plate by tightening with 4 plate bolts with supplied 5mm hexagon wrench (Fig. 8 and 9). Base is now ready for umbrella installation.



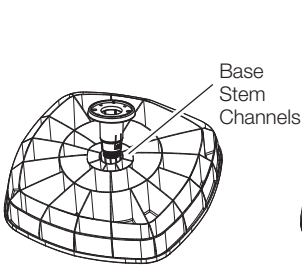
(Fig. 1)



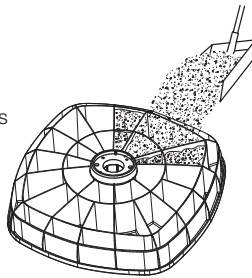
(Fig. 2)



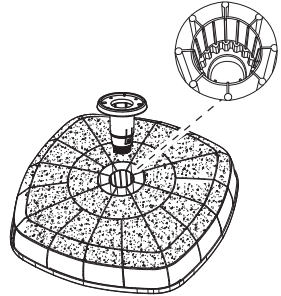
(Fig. 3)



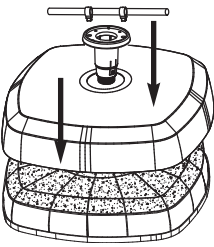
(Fig. 4)



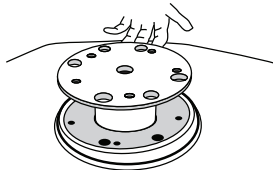
(Fig. 5)



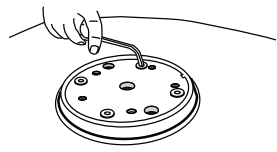
(Fig. 6)



(Fig. 7)



(Fig. 8)



(Fig. 9)

WARRANTY:

Treasure Garden warrants this product (in residential use) to be free from defects in original materials and workmanship for a period of 2 year from the date of purchase. If a defect in the original material or workmanship appears during the warranty period; Treasure Garden will (at its option) repair or replace the product without charge. Limited warranty of 4 years against fabric fading.

Simply contact your original authorized Treasure Garden dealer with a description of the defect. The dealer will verify the defect and work closely with Treasure Garden to obtain the necessary service. In many cases, simple problems can be solved with a replacement part that can be shipped directly to the dealer for professional installation/repair.

In the event that warranted factory service is required, Treasure Garden will assume the responsibility of the return freight charges on warranted product for the first year only.

Returned product that (upon receipt and inspection) is deemed to be "not covered" under our warranty, will be shipped/billed at your expense.

This warranty gives you specific legal rights, and you may have other rights which vary from state to state.

NOTE: Failure caused by unreasonable or abusive use, or failure caused by neglect of reasonable and necessary care are not covered by this warranty.

Additionally, acts of nature (including but not limited to wind, hurricanes, tornadoes, and storms) are not covered by this warranty.



www.treasuregarden.com

©2014 Treasure Garden, Inc. - All Rights Reserved.

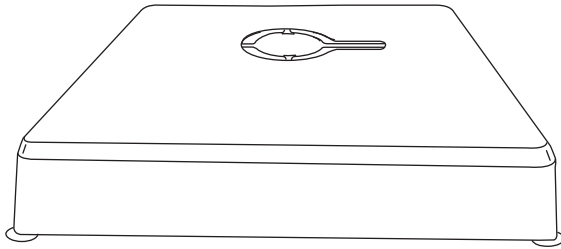
Rev. 8/14

BASE-13

Up to 400 lbs.

Cantilever Base

Assembly and Operation Guide










Thank you for your purchase of Treasure Garden's Cantilever Base.

Please remove all contents from the package, inspect and review parts list.

CAUTION: To reduce personal injury and damage to your base or umbrella, read and follow this instruction manual. We recommend a two-person team for assembly and disassembly. *Save information for future reference.*

BASE-13 PART LIST

Part	Description	Qty.
① 	Base Cover	1
② 	Steel Base Frame	1
③ 	Add-On Weight Containers	4
④ 	Feet	4
⑤ 	Screws	4
⑥ 	Wrench	1
⑦ 	Playground Sand (not included)	400 lbs.

IMPORTANT: Prior to assembly it is important to decide on the location of the umbrella.

- Allow ample height to avoid damage to your umbrella during assembly and usage.
- Choose a location that is level and sturdy.
- Avoid any sloping or soft ground.
- Consider a location that will maximize the umbrella's rotating swivel function. Placing the umbrella between two entertaining areas is ideal.

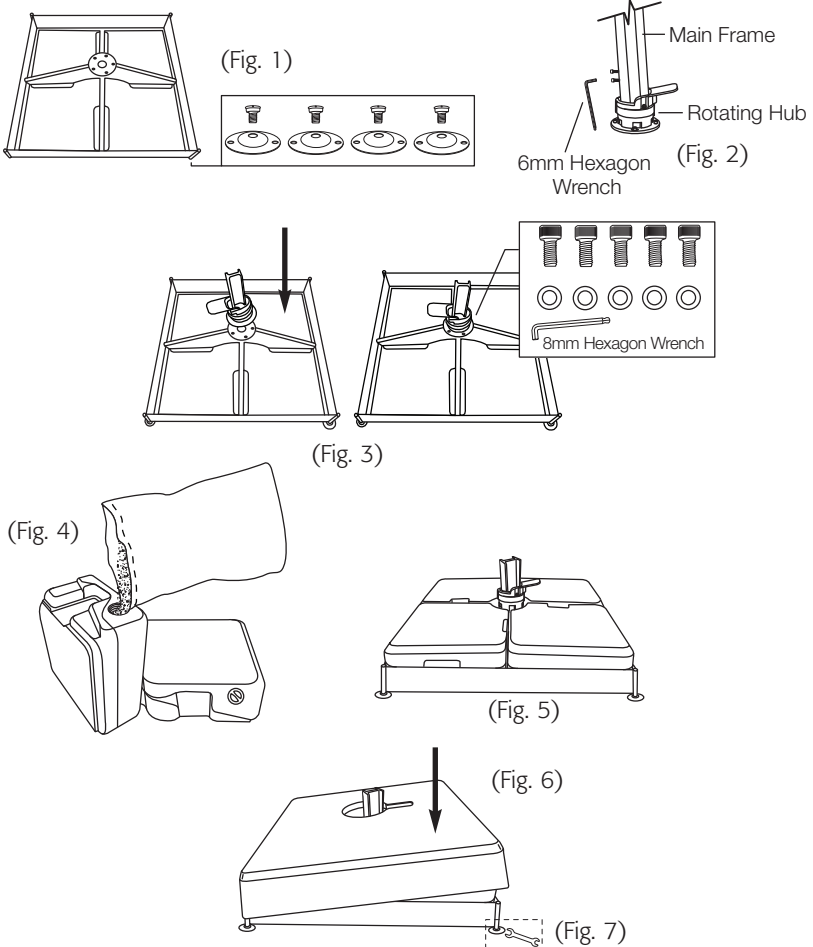
NOTE: Some parts may be included in the styrofoam packaging. DO NOT discard any packaging or box until assembly is complete.

REQUIRED FOR ASSEMBLY:

- 400 lbs. playground sand (not included).

Base Assembly

Select area to set base frame and place in desired location. **NOTE:** Moving the umbrella will be difficult once fully assembled. Screw (4) feet onto bottom of base frame with supplied (4) screws (Fig. 1). Remove rotating hub from the main frame (sold separately) by removing the (2) bolts and (2) washers (Fig. 2), set aside bolts and washers for later use. Now, place rotating hub onto base frame and secure with supplied (5) hub bolts and washers included with umbrella (Fig. 3). Remove caps from each add-on weight container and fill with dry playground sand (Fig. 4). The containers hold up to 400 lbs. of sand. Fill each add-on weight with playground sand. Place each add-on weight container into base frame sections (Fig. 5). Carefully place base cover onto base frame (Fig. 6). **LEVELING:** If needed, adjust frame corners using supplied wrench until frame is level (Fig. 7). Your base is now ready for umbrella installation.



CAUTION: Fully assembled, the umbrella weighs over 500 lbs. Moving the umbrella fully assembled will increase the risk of damage to your umbrella and/or can cause serious injury. We recommend a two-person team for assembly and disassembly.

WARRANTY:

Treasure Garden warrants this product (in residential use) to be free from defects in original materials and workmanship for a period of 2 year from the date of purchase. If a defect in the original material or workmanship appears during the warranty period; Treasure Garden will (at its option) repair or replace the product without charge.

Simply contact your original authorized Treasure Garden dealer with a description of the defect. The dealer will verify the defect and work closely with Treasure Garden to obtain the necessary service. In many cases, simple problems can be solved with a replacement part that can be shipped directly to the dealer for professional installation / repair.

In the event that warranted factory service is required, Treasure Garden will assume the responsibility of the return

freight charges on warranted product for the first year only.

Returned product that (upon receipt and inspection) is deemed to be "not covered" under our warranty, will be shipped / billed at your expense.

This warranty gives you specific legal rights, and you may have other rights which vary from state to state.

RUST: Rust is a natural part of the aging process of steel or iron based materials, and is therefore NOT considered a defect.

NOTE: Failure caused by unreasonable or abusive use, or failure caused by neglect of reasonable and necessary care are not covered by this warranty.

Additionally, acts of nature (including but not limited to wind, hurricanes, tornadoes, and storms) are not covered by this warranty.



www.treasuregarden.com

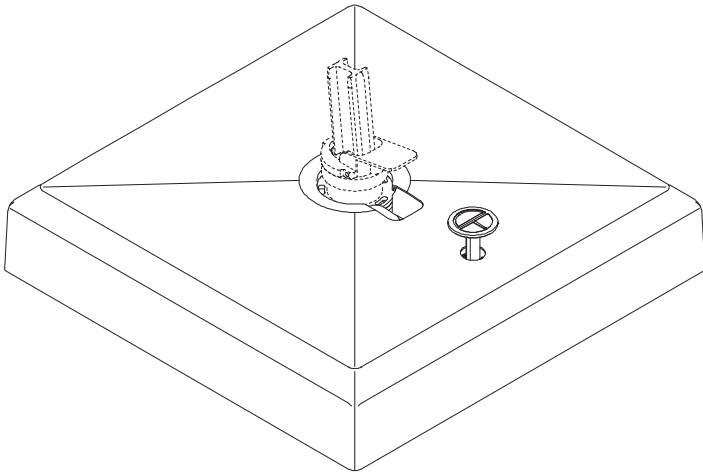
©2014 Treasure Garden, Inc. - All Rights Reserved.

Rev. 8/14

BASE-13R

Cantilever Rolling Base

Assembly and Operation Guide









Thank you for purchasing Treasure Garden's Cantilever Rolling Base.

Please remove all contents from the package, inspect and review parts list.

CAUTION: To reduce personal injury and damage to your base or umbrella, read and follow this instruction manual. We recommend a two-person team for assembly and disassembly. *Save information for future reference.*

BASE-13R PART LIST

Part		Description	Qty.
①		Base Cover	1
②		Steel Base Frame with wheels	1
③		Add-On Weight Containers	4
④		Pedal	1
⑤		All-Purpose Sand (not included)	230 lbs.
⑥		Water (not included)	2 gallons

IMPORTANT:

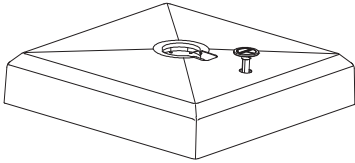
- Allow ample height to avoid damage to your umbrella during assembly and usage.
- Choose a location that is level and sturdy.
- Avoid any sloping or soft ground.

NOTE: Some parts may be included in the styrofoam packaging. DO NOT discard any packaging or box until assembly is complete.

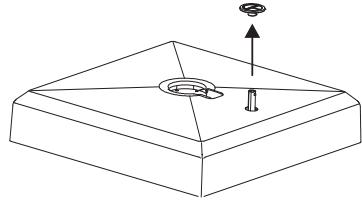
CAUTION: Make sure fingers, toes and any other parts of the body are clear from under the base when operating base foot pedal. Failing to do so may result in serious injury.

STEP 1 Base Assembly

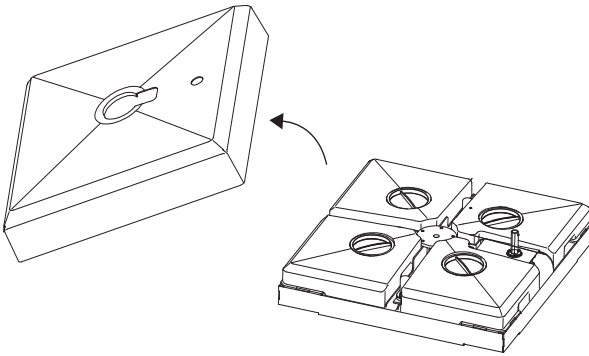
Select area to assemble base. Using a two-person team, lift base from carton and place base in desired location (Fig. 1). **CAUTION:** Avoid fingers getting caught under base! Press the spring loaded lock located under foot pedal to remove pedal and set aside (Fig. 2). Remove base lid from base frame and set aside (Fig. 3). Remove (4) add-on weight containers from base frame (Fig. 4).



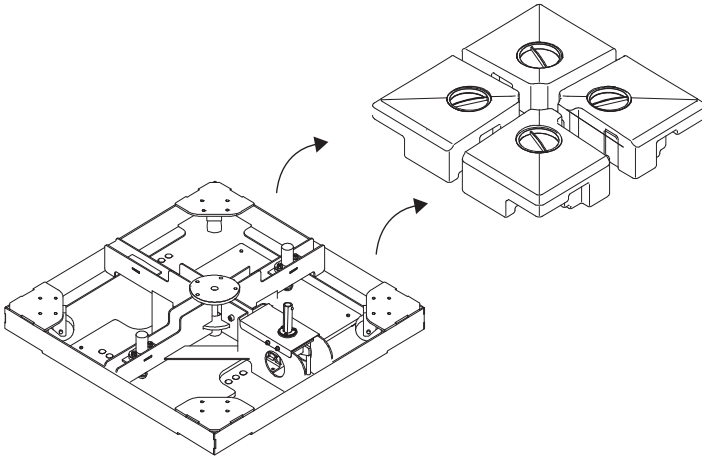
(Fig. 1)



(Fig. 2)



(Fig. 3)

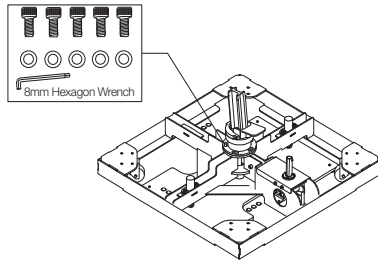


(Fig. 4)

Remove rotating hub from the main frame (sold separately) by removing the (2) bolts and (2) washers (Fig. 5) from lower backside of umbrella. Set aside bolts and washers for later use. Now, place rotating hub onto base frame and secure with supplied (5) hub bolts and washers included with umbrella (Fig. 6).



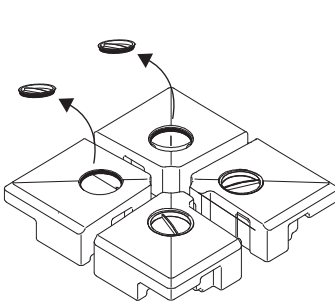
(Fig. 5)



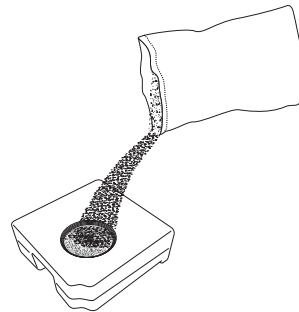
(Fig. 6)

IMPORTANT: Containers hold up to 230 lbs. of sand. To achieve minimum base weight, it is necessary to pack sand into all areas of each container and add water.

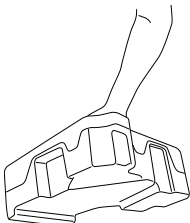
Remove cap from add-on weight container (Fig. 7). Fill container with 1/2 a bag of sand, approximately 25 lbs. (Fig. 8). Tilt container on its side (Fig. 9) and pack sand deep into corners while container is tilted (Fig. 10). Add 1/4 gallon of water. Once water sinks into sand, pack sand down again. Add remaining bag of sand to container, while continuing to pack sand down. Add another 1/4 gallon water to container. Once water sinks into sand, add additional sand to container until full. Remove/clean excess sand from container cap and threads. Secure cap on container. Repeat process with each container.



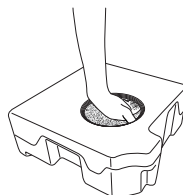
(Fig. 7)



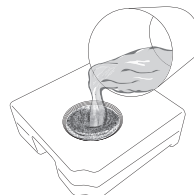
(Fig. 8)



(Fig. 9)

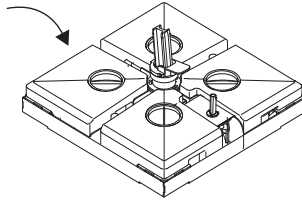


(Fig. 10)



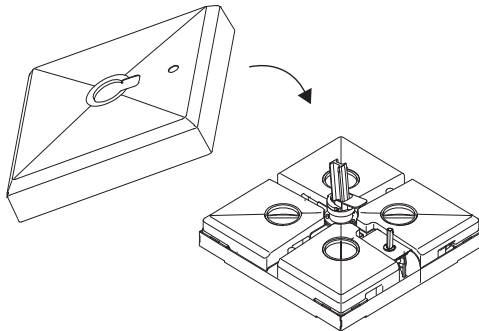
(Fig. 11)

Place each add-on weight container back into base frame sections (Fig. 12). **Note:** Add-on weight containers only fit one direction.

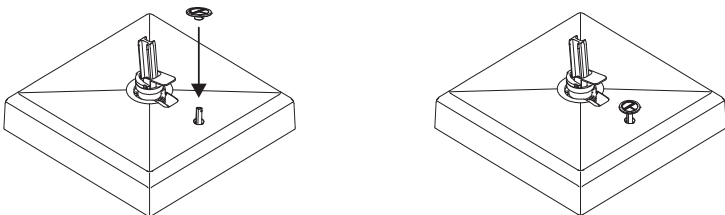


(Fig. 12)

Carefully place base lid onto base frame (Fig. 13). Re-attach foot pedal (Fig. 14). Your base is now ready for umbrella installation. Please refer to umbrella manual for installation instructions. **NOTE:** You may roll assembled base to desired location prior to installing umbrella onto base. Proceed to Step 2 for instructions how to operate base.



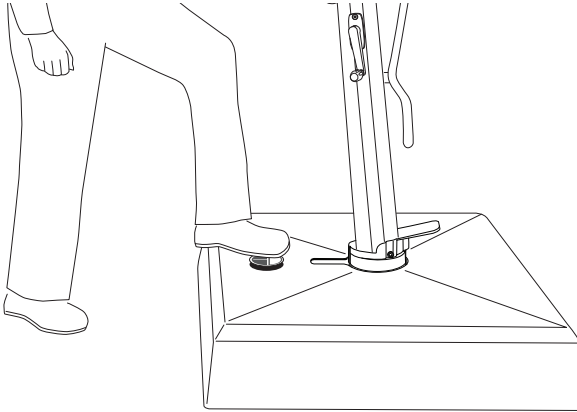
(Fig. 13)



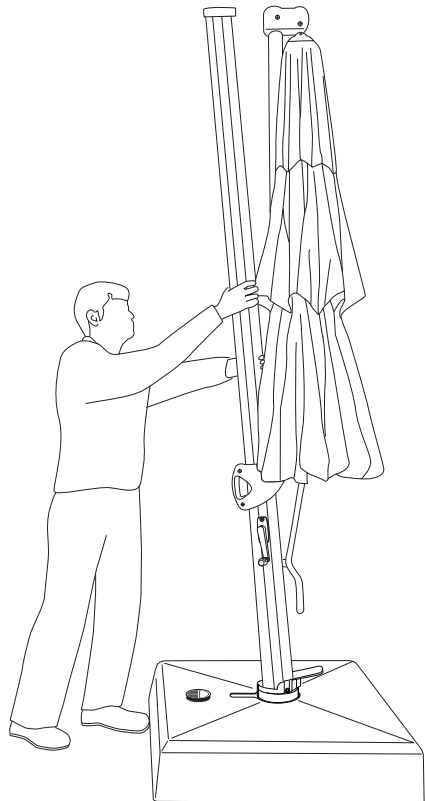
(Fig. 14)

STEP 2 Operating Rolling Base

To move your base/umbrella to a new desired location, firmly step down on the base foot pedal to unlock base wheels (Fig. 15). Roll base to new location (Fig. 16). Firmly step down on foot pedal again to lock wheels and position in place (Fig. 15).



(Fig. 15)



(Fig. 16)

WARRANTY:

Treasure Garden warrants this product (in residential use) to be free from defects in original materials and workmanship for a period of 2 year from the date of purchase. If a defect in the original material or workmanship appears during the warranty period; Treasure Garden will (at its option) repair or replace the product without charge.

Simply contact your original authorized Treasure Garden dealer with a description of the defect. The dealer will verify the defect and work closely with Treasure Garden to obtain the necessary service. In many cases, simple problems can be solved with a replacement part that can be shipped directly to the dealer for professional installation / repair.

In the event that warranted factory service is required, Treasure Garden will assume the responsibility of the return

freight charges on warranted product for the first year only.

Returned product that (upon receipt and inspection) is deemed to be "not covered" under our warranty, will be shipped / billed at your expense.

This warranty gives you specific legal rights, and you may have other rights which vary from state to state.

RUST: Rust is a natural part of the aging process of steel or iron based materials, and is therefore NOT considered a defect.

NOTE: Failure caused by unreasonable or abusive use, or failure caused by neglect of reasonable and necessary care are not covered by this warranty.

Additionally, acts of nature (including but not limited to wind, hurricanes, tornadoes, and storms) are not covered by this warranty.



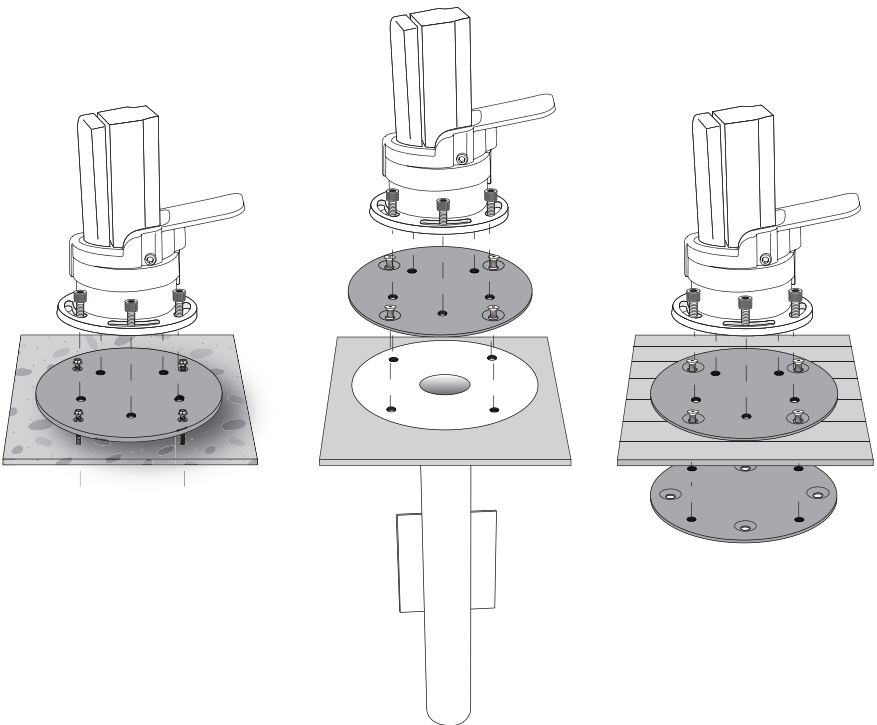
www.treasuregarden.com

©2019 Treasure Garden, Inc. - All Rights Reserved.

Rev. 10/19

AMK-C AMK-G AMK-W Mount Kits

Assembly and Operation Guide



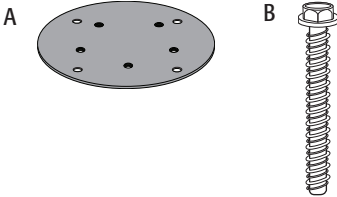
Thank you for purchasing Treasure Garden's AMK Mount Kit.

Please remove all contents from the package, inspect and review checklist.

AMK MOUNT KIT CHECK LIST

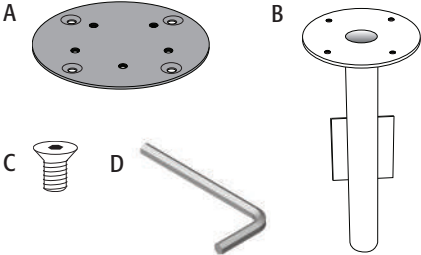
Concrete Mount Kit check list:

- A - Adapter Plate (8.5" diameter)
- B - Screw Anchors 3/8" x 3" (4)



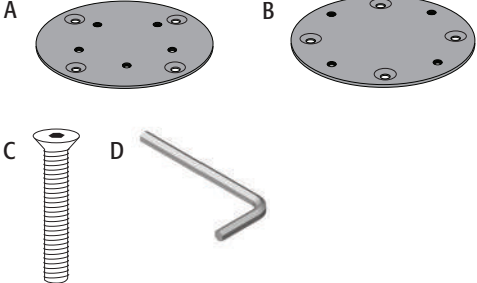
In-Ground Fitting Kit check list:

- A - Adapter Plate (8.5" diameter)
- B - In-Ground Fitting
- C - Stem Bolts (4)
- D - Hex Wrench



Wooden Deck Mount Kit check list:

- A - Adapter Plate
- B - Base Plate
- C - Round Countersunk Bolts (4)
- D - Hex Wrench

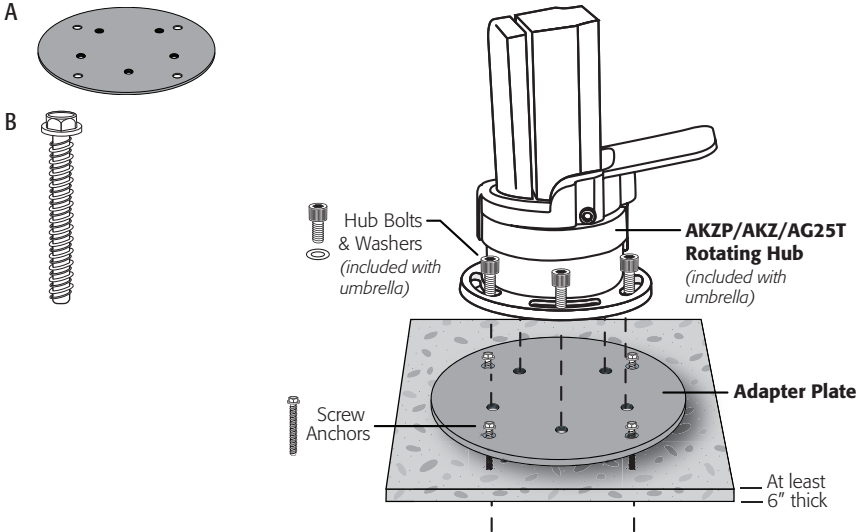


CONCRETE MOUNT KIT

Concrete Mount Kit includes:

A - Adapter Plate (8.5" diameter)

B - Screw Anchors 3/8" x 3" (4)



STEP 1 Bolt Adapter Plate

Final installation hardware should be determined by and professionally installed by a license contractor. Bolt the adapter plate (countersunk holes faced down) to an existing concrete slab (or through no thicker than 1" pavers or tiles adhered to a concrete slab) using the supplied screw anchors. Use a 5/16" masonry drill bit for holes.

STEP 2 Bolt Rotating Hub to Adapter Plate

Align rotating hub holes with adapter plate holes. Insert (5) hub bolts and tighten using hex wrench to secure. **Note:** Rotating hub, hub bolts/washers and hex wrench are included with umbrella.

STEP 3 Attach Umbrella

Slide frame over the newly mounted rotating hub. See your umbrella instruction manual for further assistance.

You are now ready to operate your umbrella!

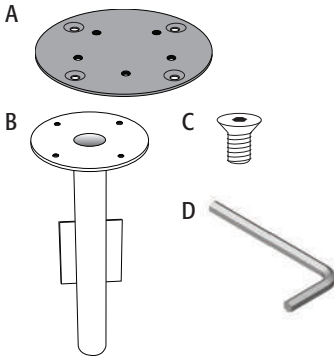
REMOVAL:

To remove your umbrella for seasonal storage or to move it to another base plate or in-ground fitting, simply undo the hub bolts and remove umbrella from the adapter plate.

IN-GROUND MOUNT KIT

In-Ground Fitting Kit includes:

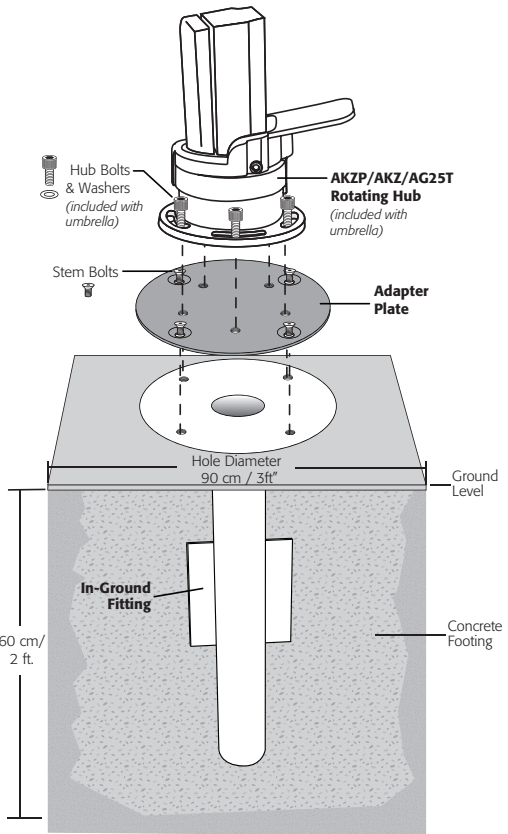
- A - Adapter Plate (8.5" diameter)
- B - In-Ground Fitting
- C - Stem Bolts (4)
- D - Hex Wrench



STEP 1 Preparation

Final installation should be determined by and professionally installed by a license contractor. Dig an approximate 60 cm/2 ft. deep by 90 cm/3 ft. wide hole. Insert in-ground fitting and pour mixed concrete into hole around fitting. Make sure in-ground plate is level.

Note: Do not get slurry in the screw threads. Either apply tape over the holes on both sides of the fitting or place the stem bolts in the threads and remove them when the concrete is almost set. To make the adapter plate flush with the concrete, recess the in-ground fitting 3/8" below the finished surface.



STEP 2 Bolt Adapter Plate

Once concrete has cured, bolt adapter plate onto in-ground fitting. Insert (4) countersunk stem bolts through adapter plate. Tighten all (4) countersunk stem bolts with supplied hex wrench.

STEP 3 Attach Rotating Hub

Align rotating hub holes with adapter plate holes. Insert (5) hub bolts and tighten using hex wrench to secure. **Note:** Rotating hub and hub bolts are included with umbrella.

STEP 4 Attach Umbrella

Slide frame over the newly mounted rotating hub. See your umbrella instruction manual for further assistance.

You are now ready to operate your umbrella!

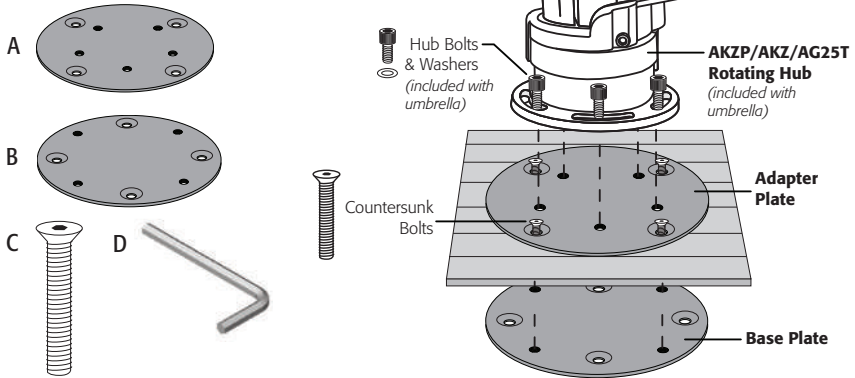
REMOVAL:

To remove your umbrella for seasonal storage or to move it to another base plate or in-ground fitting, simply undo the hub bolts and remove umbrella from the adapter plate.

WOODEN DECK MOUNT KIT

Wooden Deck Mount Kit includes:

- A - Adapter Plate
- B - Base Plate
- C - Countersunk Bolts (4)
- D - Hex Wrench



STEP 1 Adapter Plate

Final installation should be determined by and professionally installed by a license contractor. Locate adapter plate and place in desired location on the deck. The adapter plate should overlap two deck planks equally. Adjust the base plate so that the proper alignment is ensured.

STEP 2 Drilling Deck Planks

Mark the four countersunk holes onto the deck for drilling. Drill four 10mm / $\frac{1}{2}$ " holes through the deck boards for the round countersunk bolts. Remove enough deck screws or nails from these boards to be able to install base plate underneath the boards.

STEP 3 Attach Base and Adapter Plates to Deck Boards

Using four (4) countersunk bolts, attach the base plate and adapter plate together, with the base plate under the deck and the adapter plate on top of the deck boards (Note: If deck is thicker, longer bolts may be required. Your licensed contractor can help determine appropriate size bolts). Insert the (4) countersunk downward through the top of the countersunk holes on adapter plate, through the boards, and screw them into the threaded holes in the bottom base plate. Tighten all (4) countersunk bolts with supplied hex wrench.

STEP 4 Fasten Deck Boards

Refasten the deck boards to the joists by attaching removed screws from Step 2 into the original holes closest to the base plate. Two structural deck screws should be used on either side of the base plate in each board.

STEP 5 Attach Rotating Hub

Align rotating hub holes with adapter plate holes. Insert (5) hub bolts and tighten using hex wrench to secure. **Note:** Rotating hub and hub bolts are included with umbrella.

STEP 6 Attach Umbrella

Slide frame over the newly mounted rotating hub. See your umbrella instruction manual for further assistance.

You are now ready to operate your umbrella!

REMOVAL:

To remove your umbrella for seasonal storage or to move it to another base plate or in-ground fitting, simply undo the hub bolts and remove umbrella from the adapter plate.

DISCLAIMER:

THE AMK MOUNTING KIT SHOULD ONLY BE PROFESSIONALLY INSTALLED BY A LICENSED CONTRACTOR DULY QUALIFIED TO PERFORM THE INSTALLATION. TREASURE GARDEN® ASSUMES NO LIABILITY AND EXPRESSLY DISCLAIMS ANY RESPONSIBILITY FOR INJURIES OR DAMAGES ARISING FROM OR RELATED TO THE FAILURE OF BUYER TO HAVE THE AMK MOUNTING KIT INSTALLED BY A LICENSED PROFESSIONAL CONTRACTOR. TREASURE GARDEN MAKES NO WARRANTY EXCEPT AS EXPRESSLY STATED HEREIN, AND NO WARRANTY EXCEPT TITLE TO MATERIALS FURNISHED SHALL BE IMPLIED WITH RESPECT TO THIS ORDER.

DISCLAIMER OF WARRANTIES: EXCEPT AS HEREIN EXPRESSLY SET FORTH, THIS PRODUCT IS SOLD "AS IS" AND "WITH ALL FAULTS", AND WITHOUT ANY IMPLIED WARRANTY OF MERCHANTABILITY -- WHICH WARRANTY IS HEREBY EXPRESSLY EXCLUDED. THIS PRODUCT IS SOLD WITHOUT ANY IMPLIED WARRANTY OF FITNESS FOR A PARTICULAR PURPOSE -- WHICH WARRANTY IS HEREBY EXPRESSLY EXCLUDED. MOREOVER, THERE ARE NO WARRANTIES WHICH EXTEND BEYOND THE DESCRIPTION ON THE FACE HEREOF."

WARRANTY:

Treasure Garden warrants this product (in residential use) to be free from defects in original materials and workmanship for a period of 1 year from the date of purchase. If a defect in the original material or workmanship appears during the warranty period; Treasure Garden will (at its option) repair or replace the product without charge.

Simply contact your original authorized Treasure Garden dealer with a description of the defect. The dealer will verify the defect and work closely with Treasure Garden to obtain the necessary service. In many cases, simple problems can be solved with a replacement part that can be shipped directly to the dealer for professional installation / repair.

In the event that warranted factory service is required, Treasure Garden will

assume the responsibility of the return freight charges on warranted product for the first year only.

Returned product that (upon receipt and inspection) is deemed to be "not covered" under our warranty, will be shipped / billed at your expense.

This warranty gives you specific legal rights, and you may have other rights which vary from state to state.

RUST: Rust is a natural part of the aging process of steel or iron based materials, and is therefore NOT considered a defect.

NOTE: Failure caused by unreasonable or abusive use, or failure caused by neglect of reasonable and necessary care are not covered by this warranty.

Additionally, acts of nature (including but not limited to wind, hurricanes, tornadoes, and storms) are not covered by this warranty.

CAUTION: HANDLE WITH CARE

- To reduce personal injury and damage, read and follow this Assembly and Operation information.
- Close the umbrella in windy conditions or when a storm approaches. Never allow the umbrella to flap in the wind; this could damage the canopy.
- Do not leave open umbrella unattended.
- Do not allow children to play on or with the base.



www.treasuregarden.com

©2019 Treasure Garden, Inc. - All Rights Reserved.

Rev. 11/19