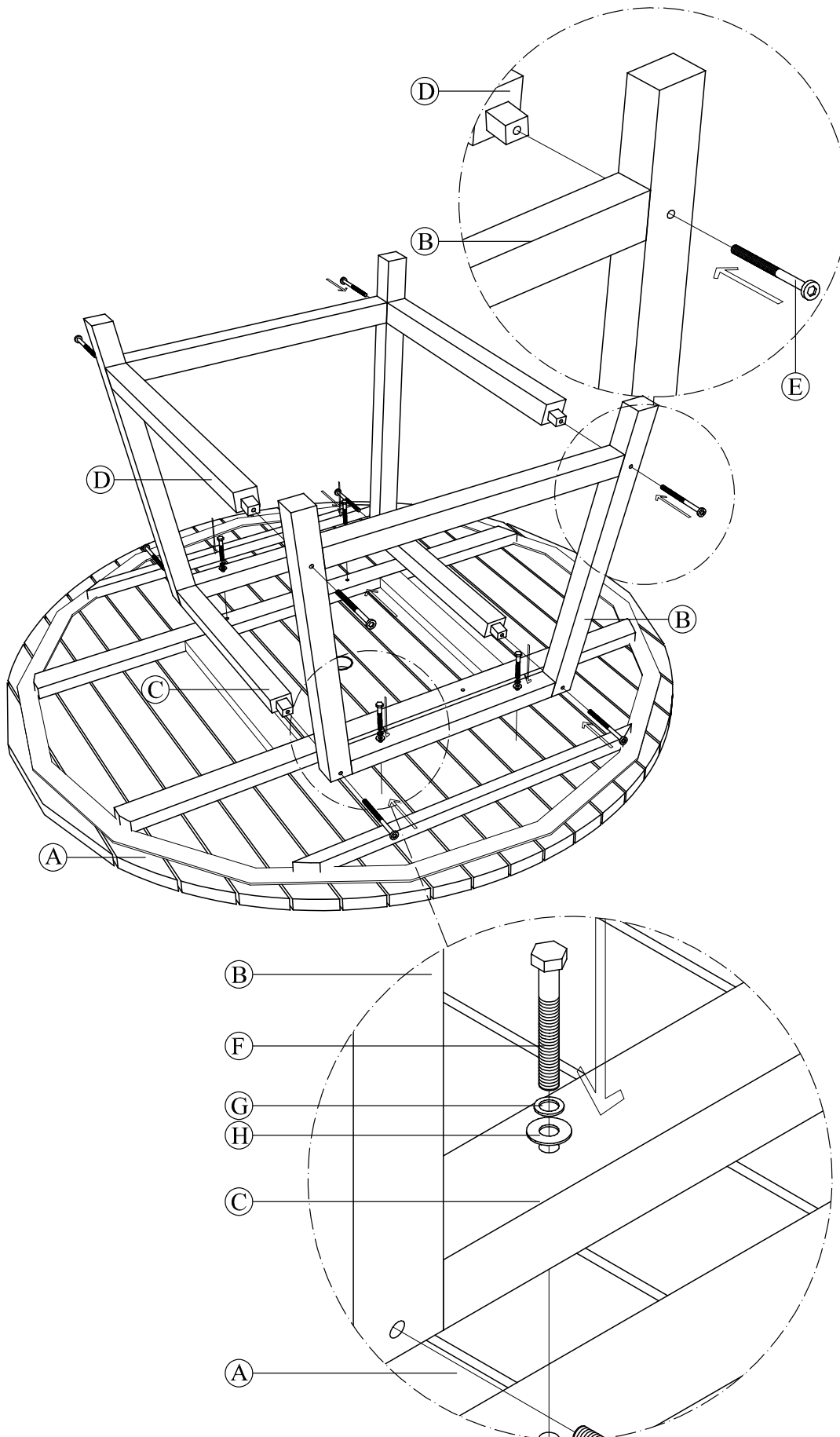


Assembly instruction

9446 GEORGE ROUND TABLE Ø160

Sika·Design[®]
HANDMADE FURNITURE



PART LIST

(A)		1 PC
(B)		2 PCS
(C)		2 PCS
(D)		2 PCS
(E)		JCBC 6X100 - 8 PCS
(F)		M8X80 - 4 PCS
(G)		4 PCS
(H)		4 PCS