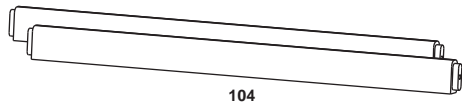
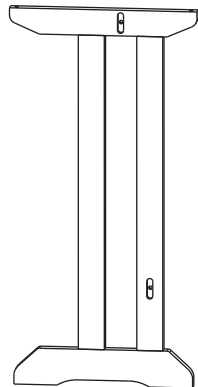
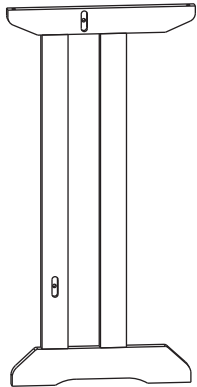
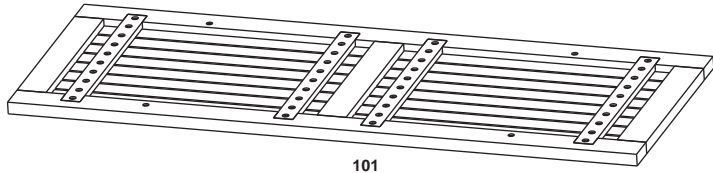
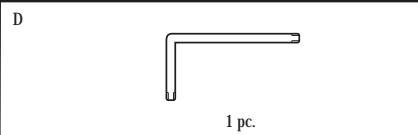
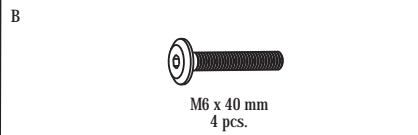
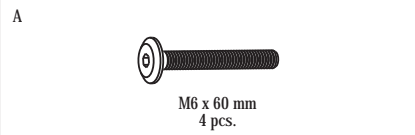


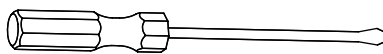
# COMPONENTS



## HARDWARE

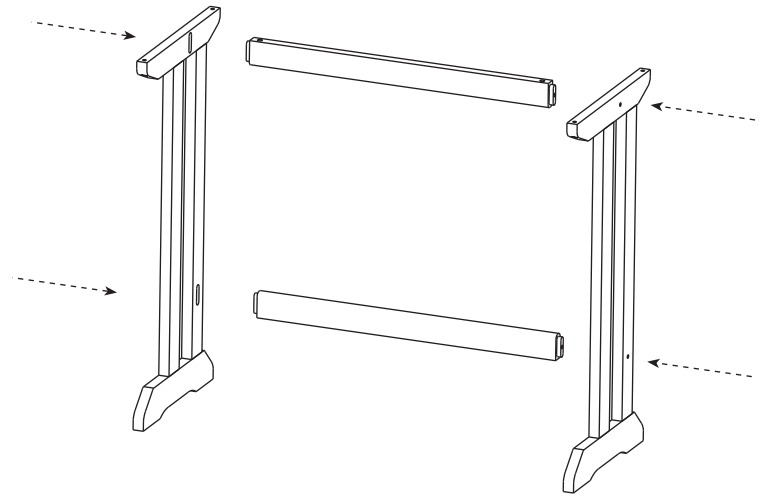


## TOOLS REQUIRED

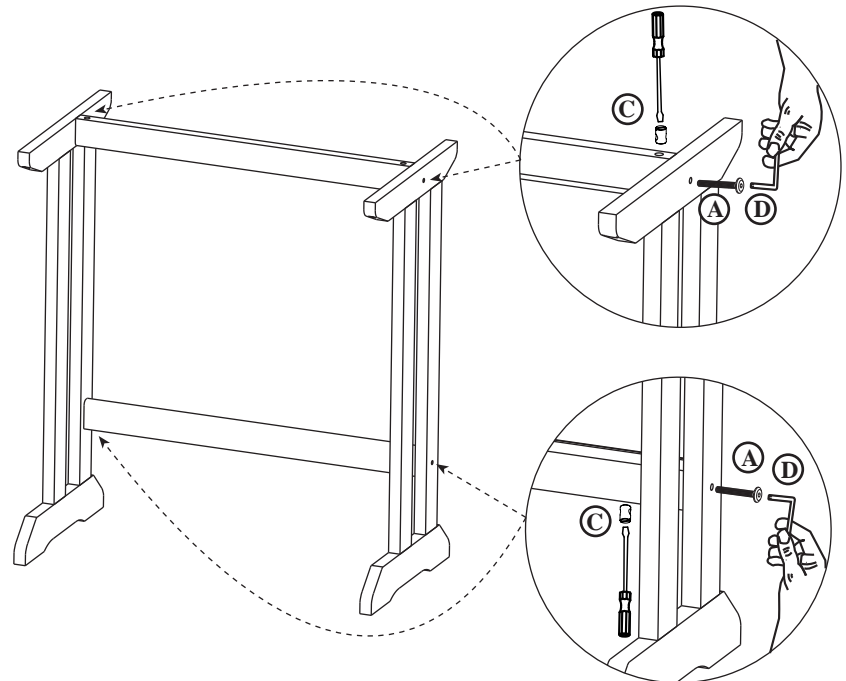


flat head screwdriver

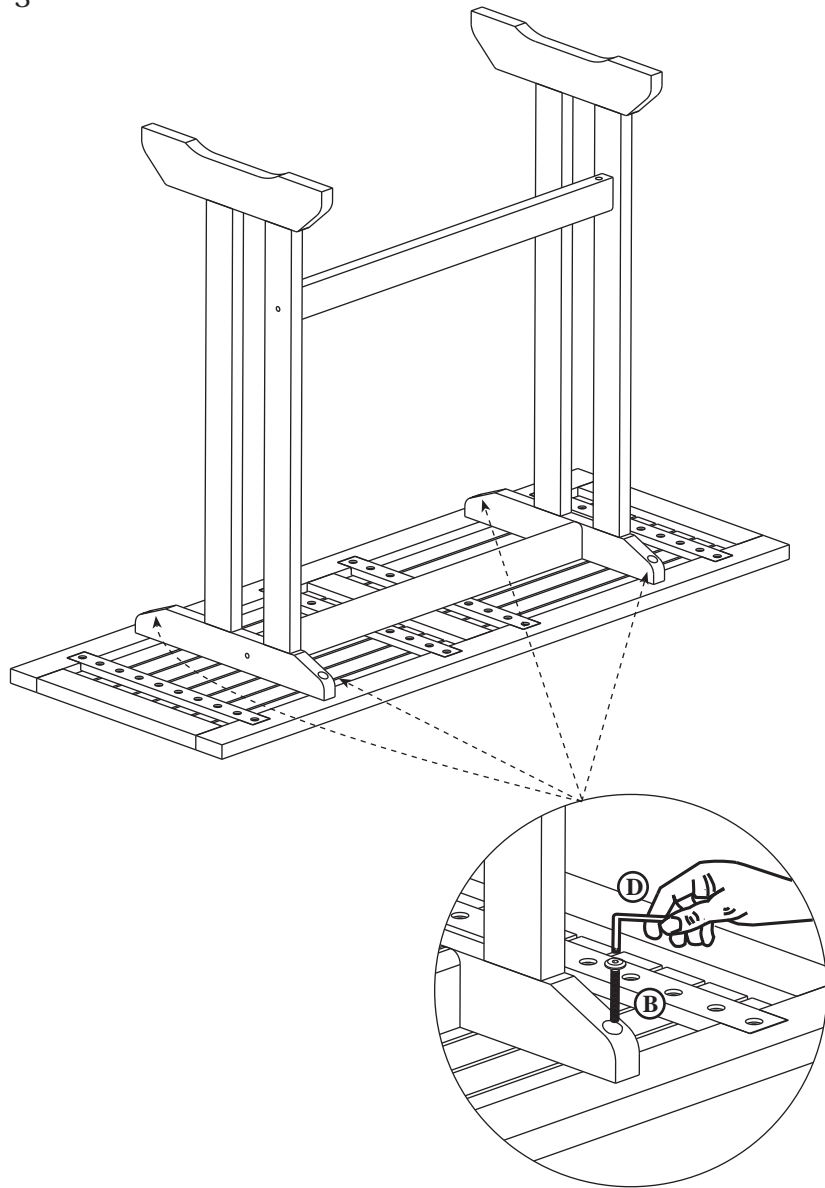
## STEP 1



## STEP 2



STEP 3



**RICHMOND BALCONY  
RAIL TABLE (#6496)**

**65200**

**Assembly Instructions**

