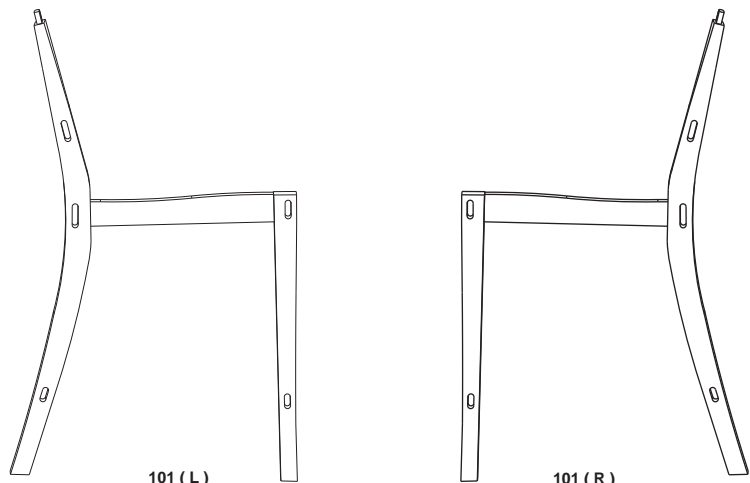
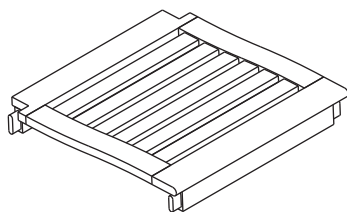


COMPONENTS

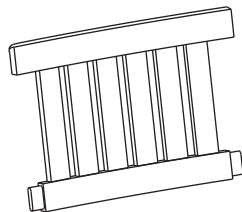


101 (L)

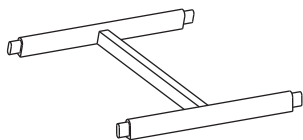
101 (R)



102



103

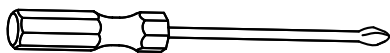


104

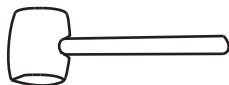
HARDWARE

A	B	C	D
60 mm 2 pcs.	27 x 8mm 12 pcs.	16 x 8mm 2 pcs.	1 pc.

TOOLS REQUIRED

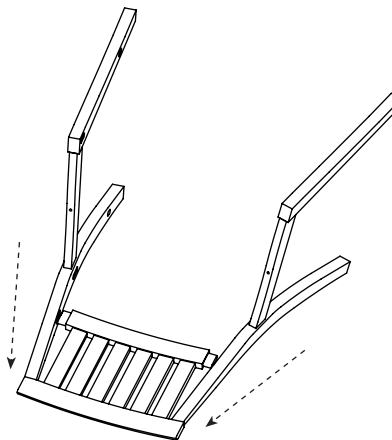


screwdriver

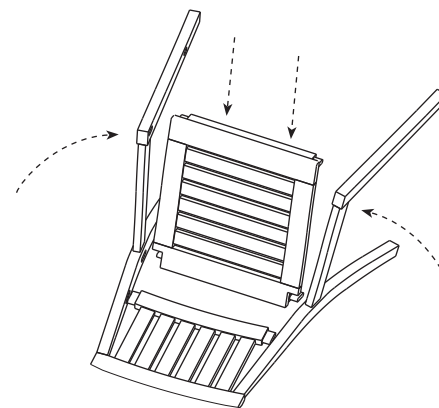


Hammer

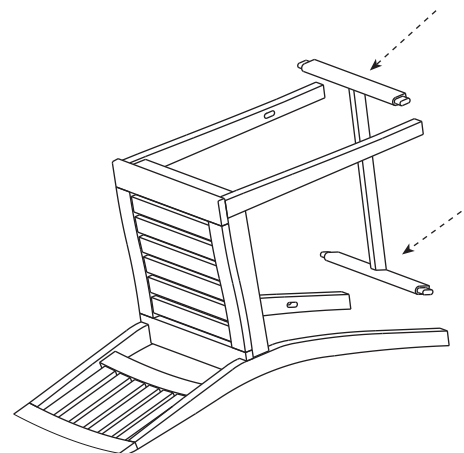
STEP 1



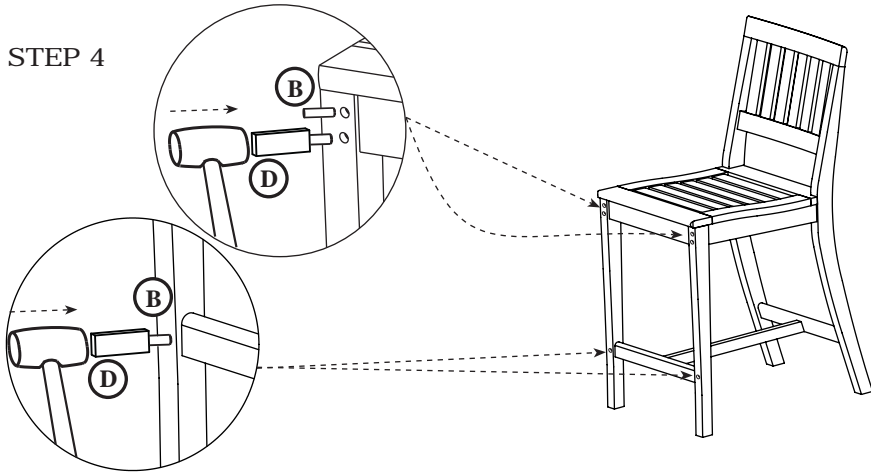
STEP 2



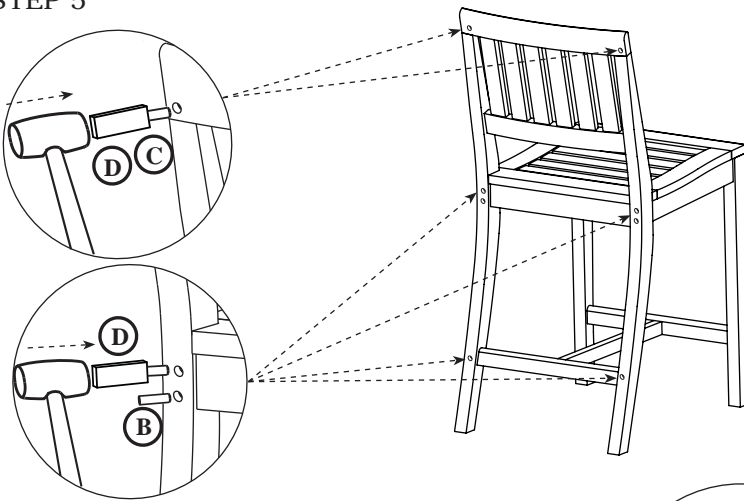
STEP 3



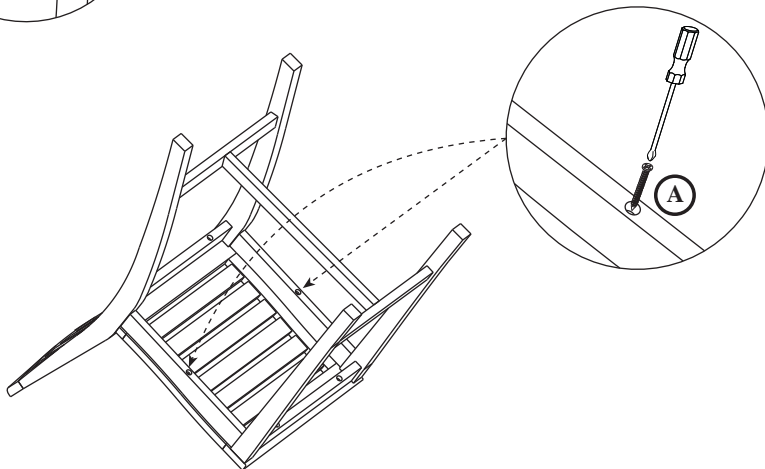
STEP 4



STEP 5



STEP 6



RICHMOND COUNTER HIGHT CHAIR (#6292)

65020

Assembly Instructions

