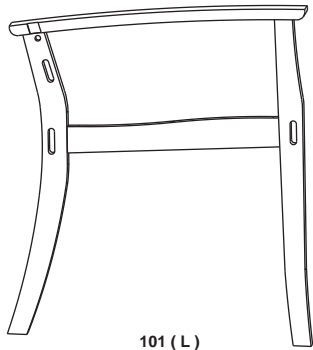
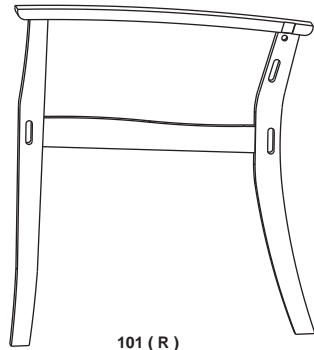


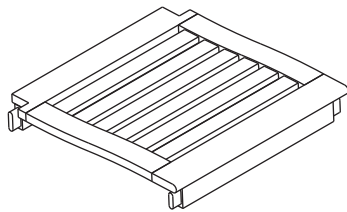
COMPONENTS



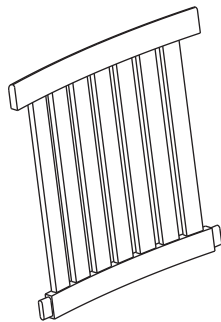
101 (L)



101 (R)




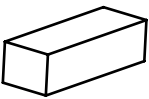


102

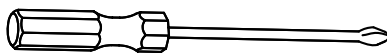


103

HARDWARE

<p>A</p>  <p>60 mm 2 pcs.</p>	<p>B</p>  <p>38 x 8mm 2 pcs.</p>	<p>C</p>  <p>28 x 8mm 8 pcs.</p>	<p>D</p>  <p>1 pc.</p>
--	---	---	---

TOOLS REQUIRED

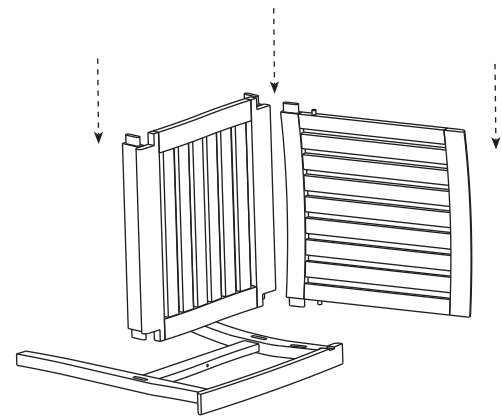


screwdriver

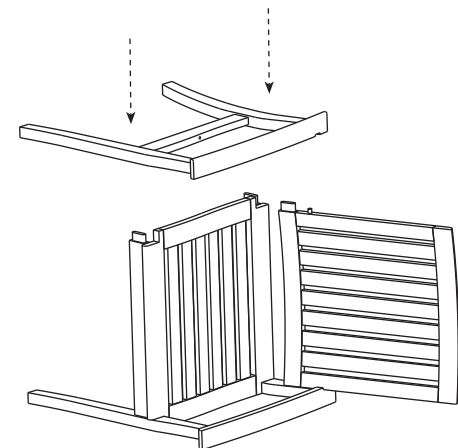


Hammer

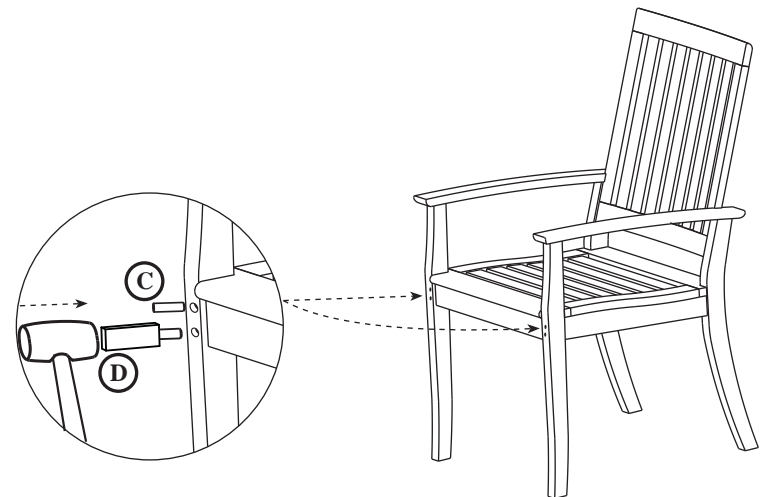
STEP 1



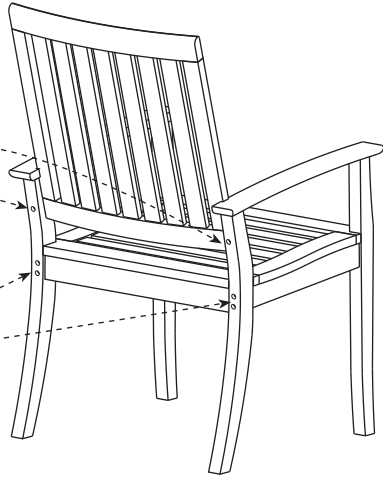
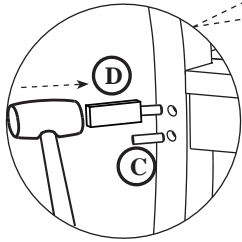
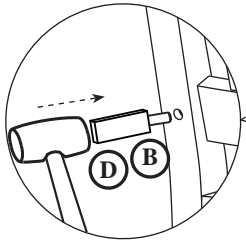
STEP 2



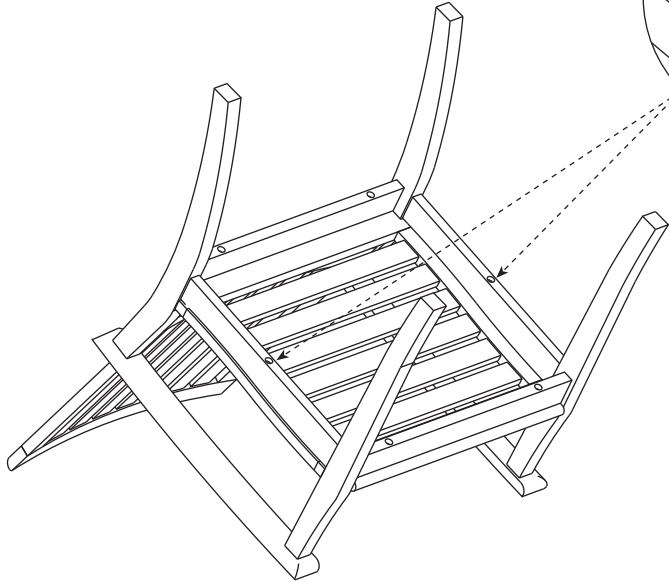
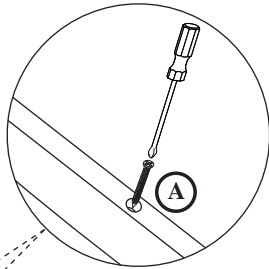
STEP 3



STEP 4



STEP 5



RICHMOND DINING CHAIR (#6290)

65000

Assembly Instructions

