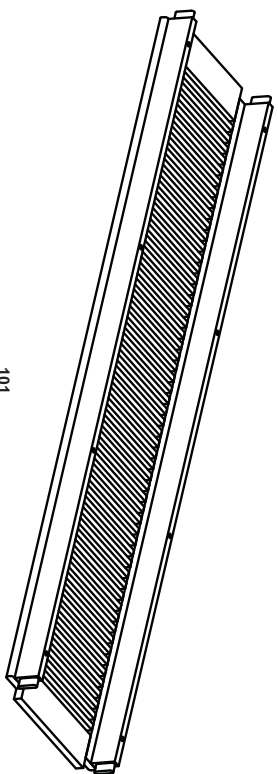
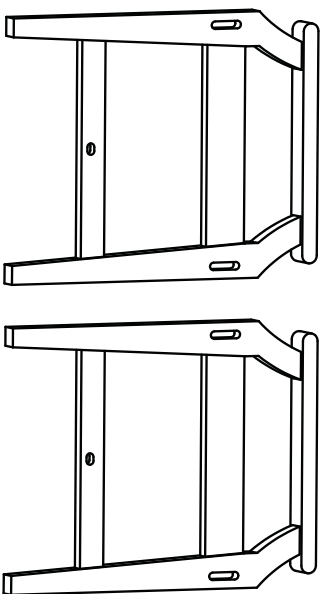


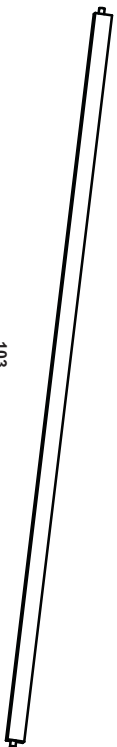
COMPONENTS



101



102

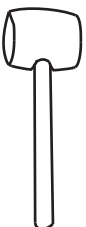


103

HARDWARE

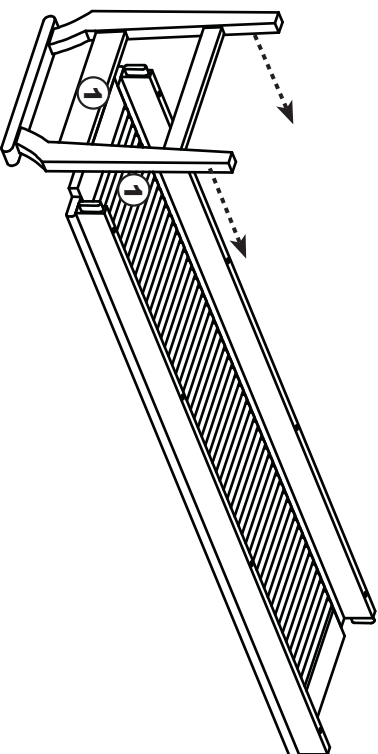
<p>A</p> <p>30 x 8mm 8 pcs.</p>	<p>B</p> <p>28 x 6mm 2 pcs.</p>	<p>C</p> <p>1 pc.</p>
-------------------------------------	-------------------------------------	-----------------------

TOOLS REQUIRED

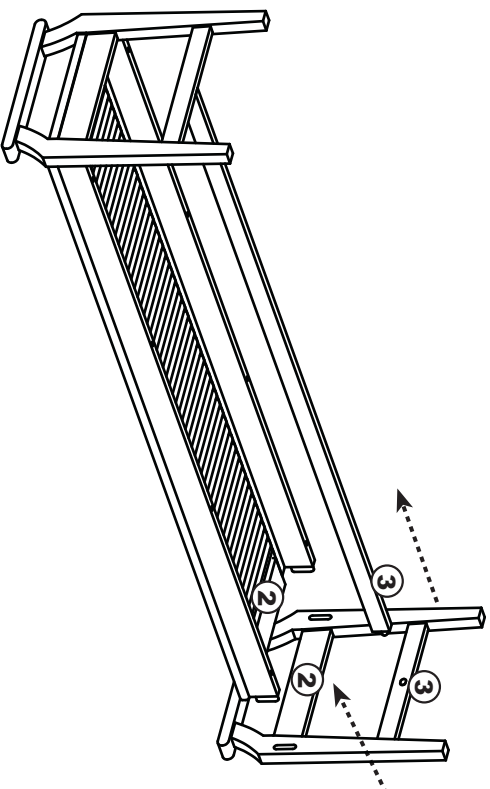


Hammer

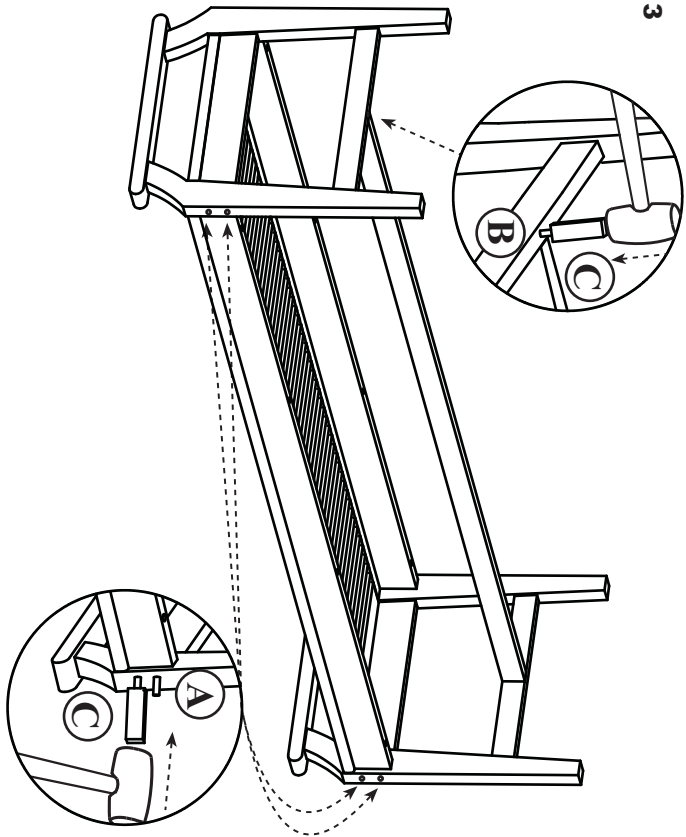
STEP 1



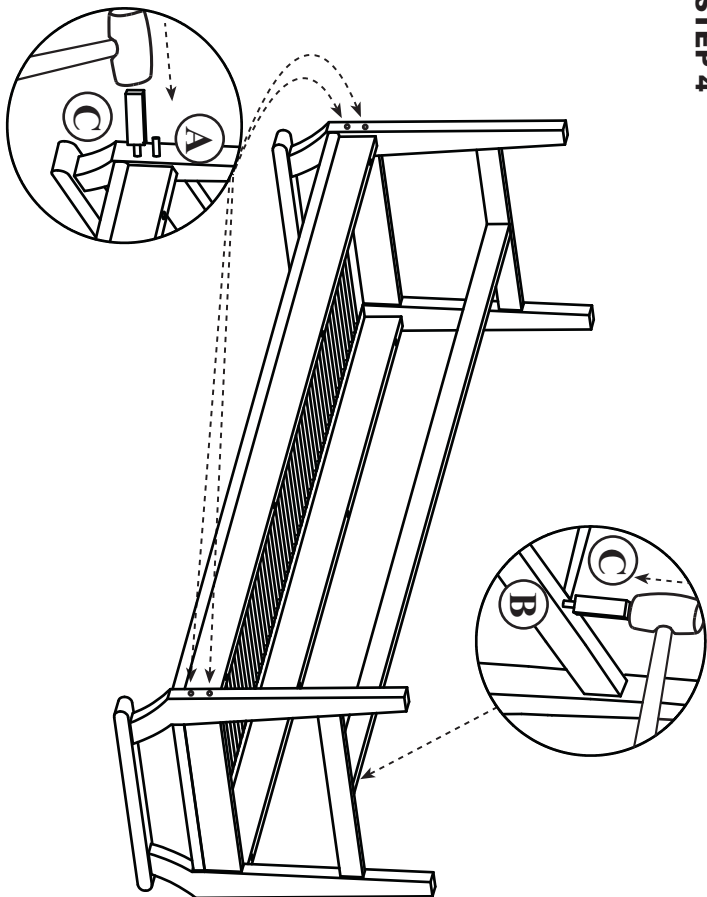
STEP 2



STEP 3



STEP 4



OPAL 6 FT BENCH WITH ARMS
(#6181)

63480

Assembly Instructions

