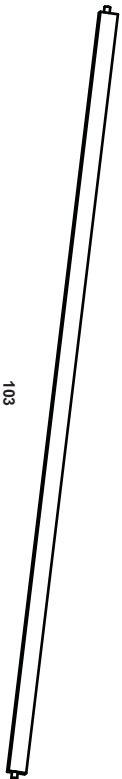
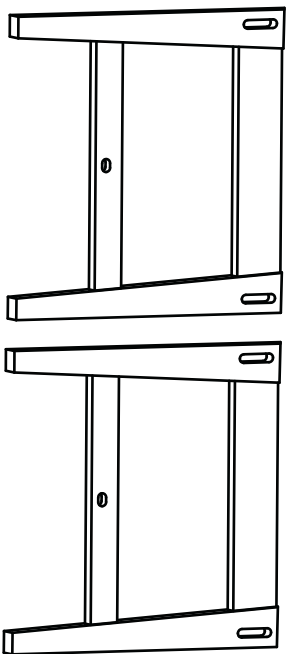
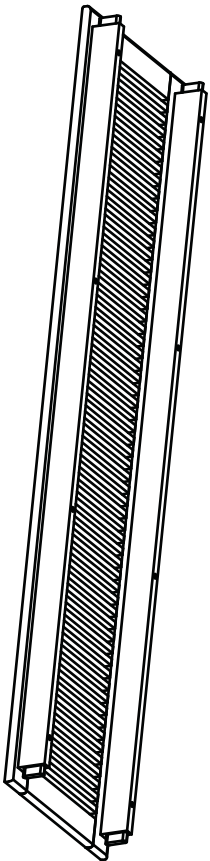



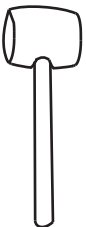


COMPONENTS



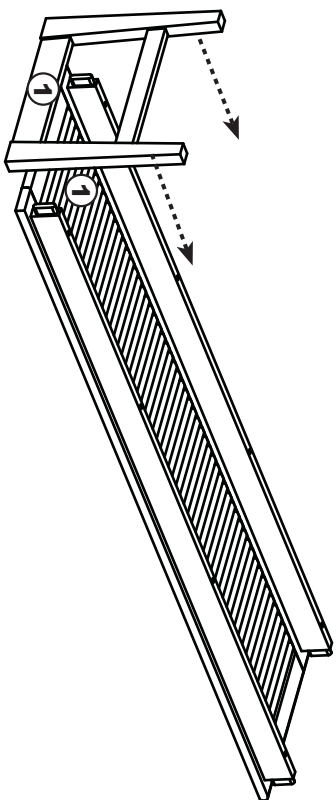
HARDWARE		
A		30 x 8mm 8 pcs.
B		28 x 6mm 2 pcs.
C		1 pc.

TOOLS REQUIRED

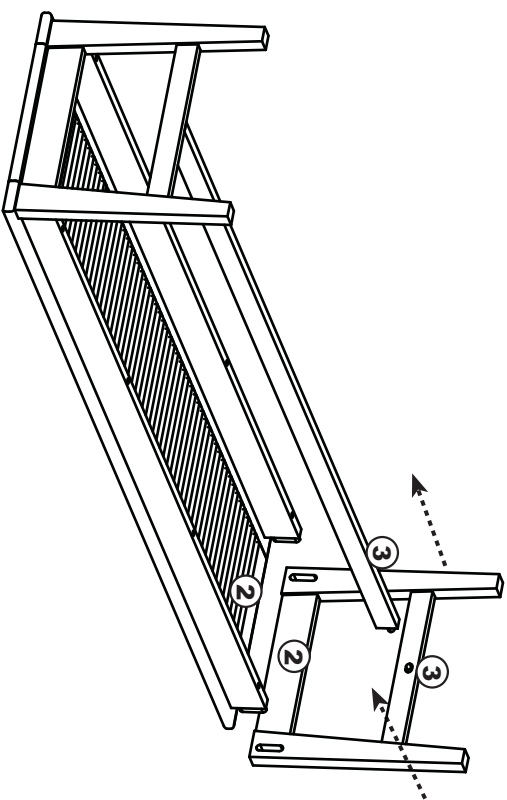


Hammer

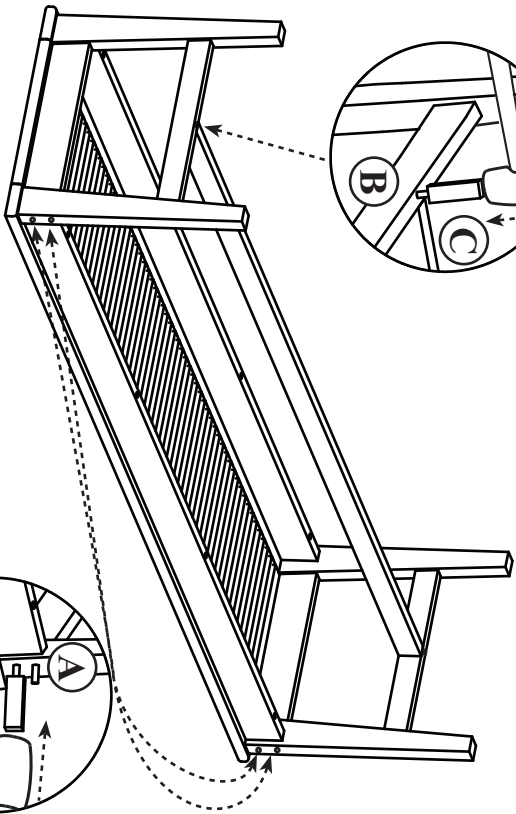
STEP 1



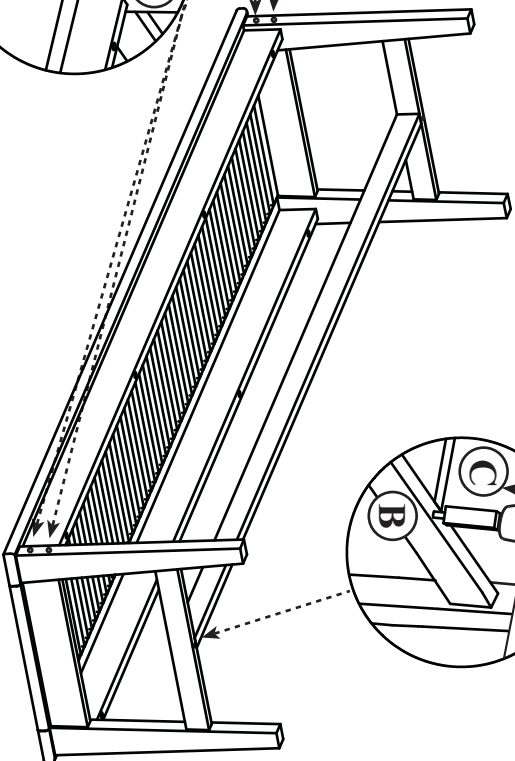
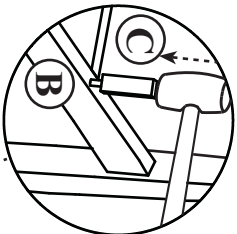
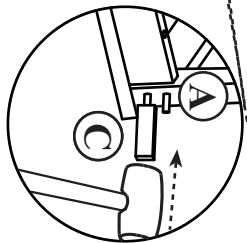
STEP 2



STEP 3



STEP 4



OPAL 6FT FLAT BENCH(#6180)

63470

Assembly Instructions

