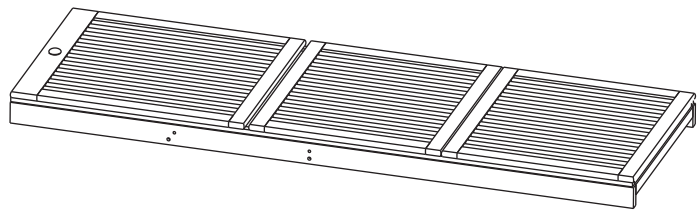
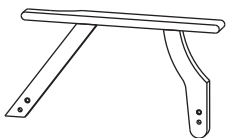


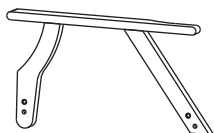
# COMPONENTS



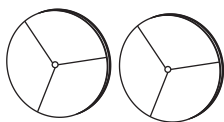
101



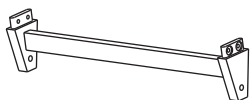
102 (L)



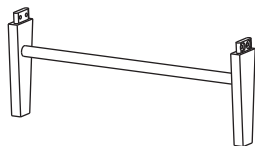
102 (R)



103



104



105

## HARDWARE



M6 x 20mm  
8 pcs.



M6 x 40mm  
4 pcs.

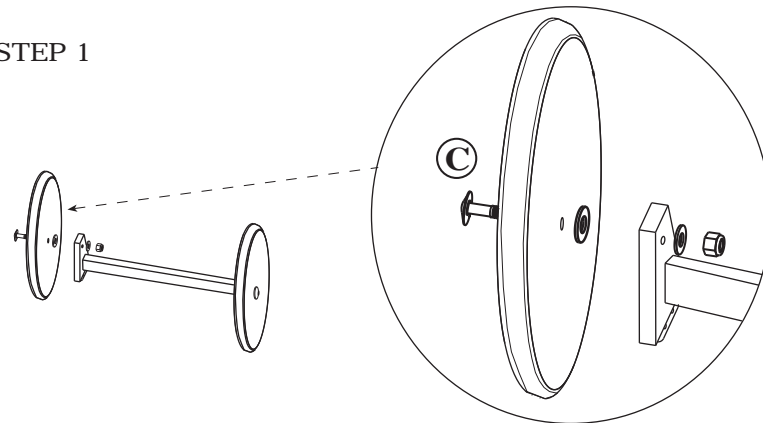


2 pcs.

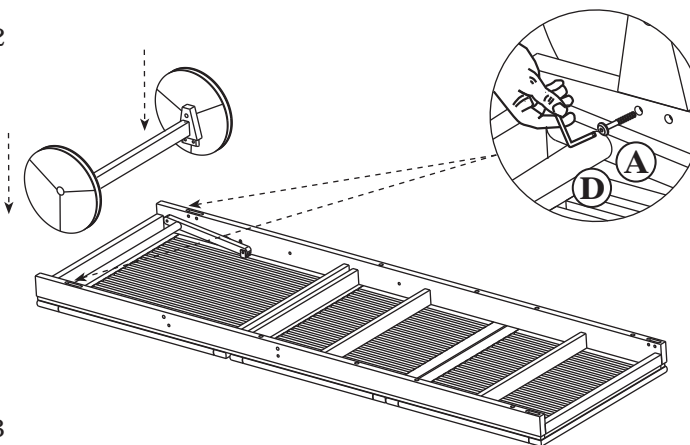


1 pc.

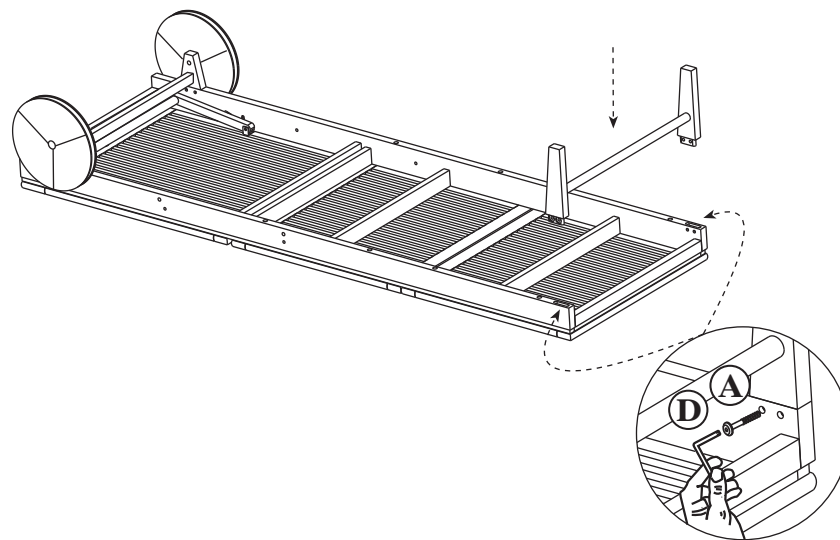
## STEP 1



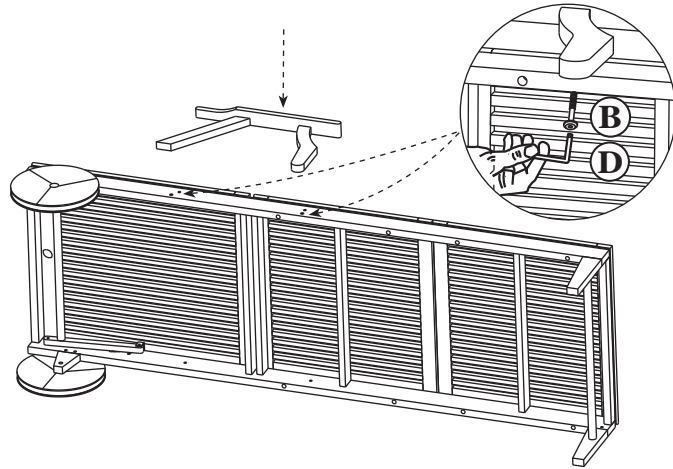
## STEP 2



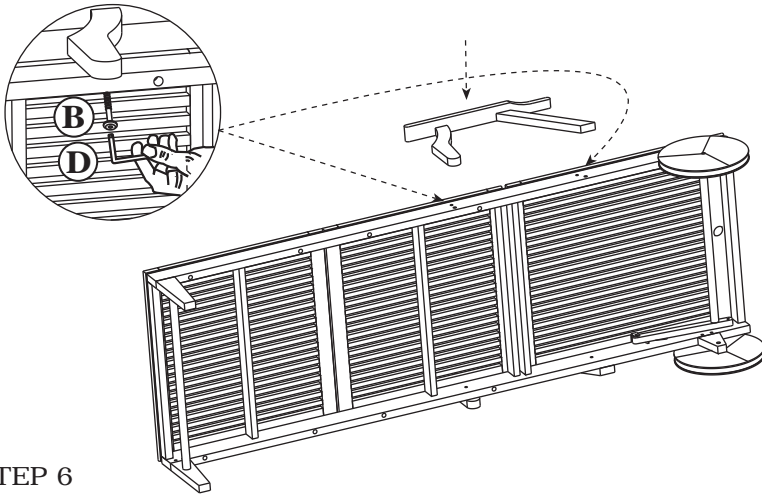
## STEP 3



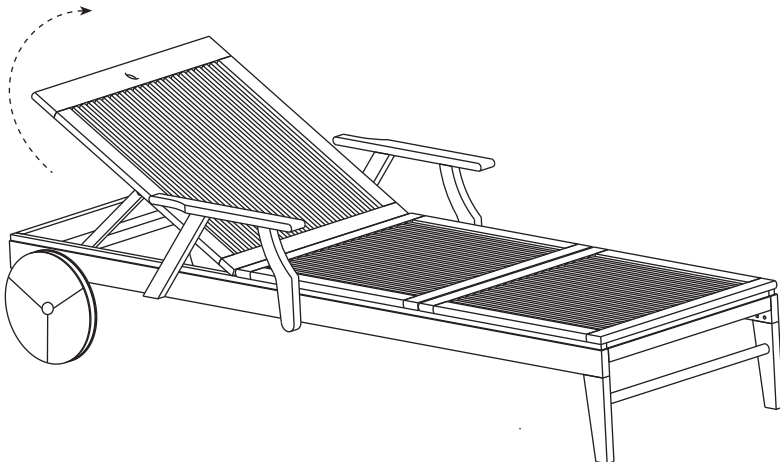
STEP 4



STEP 5



STEP 6



# OPAL CHAISE LOUNGER (#6503)

# 63450

## Assembly Instructions

