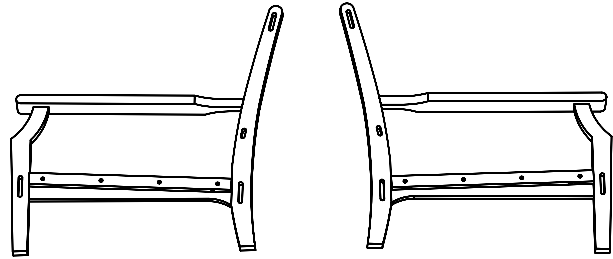
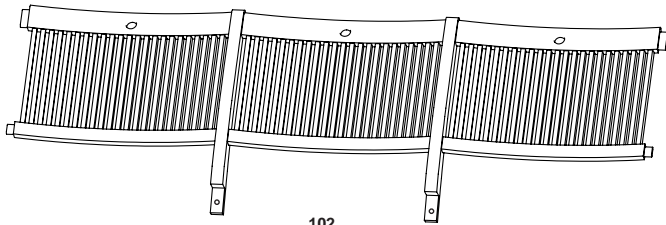


# COMPONENTS

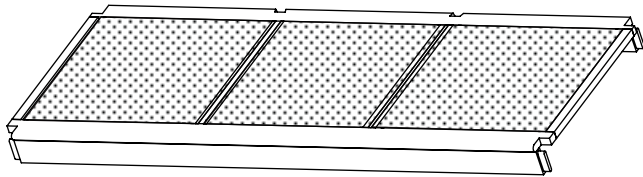


101 (R)

101 (L)






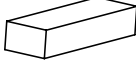



102

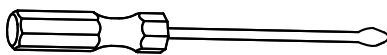


103

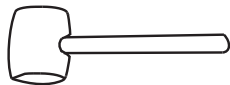
## HARDWARE

<p>A</p>  <p>M6 x 30 2 pcs.</p>	<p>B</p>  <p>M6 x 55 4 pcs.</p>	<p>C</p>  <p>32x8 mm 6 pcs.</p>	<p>D</p>  <p>42x8 mm 8 pcs.</p>
<p>E</p>  <p>1 pc.</p>	<p>F</p>  <p>1 pc.</p>	<p>G</p> 	

## TOOLS REQUIRED

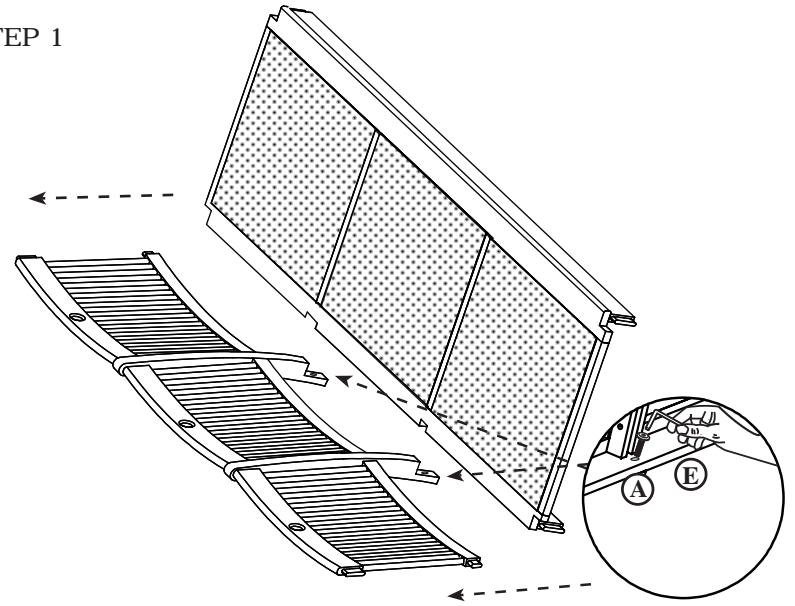


screwdriver

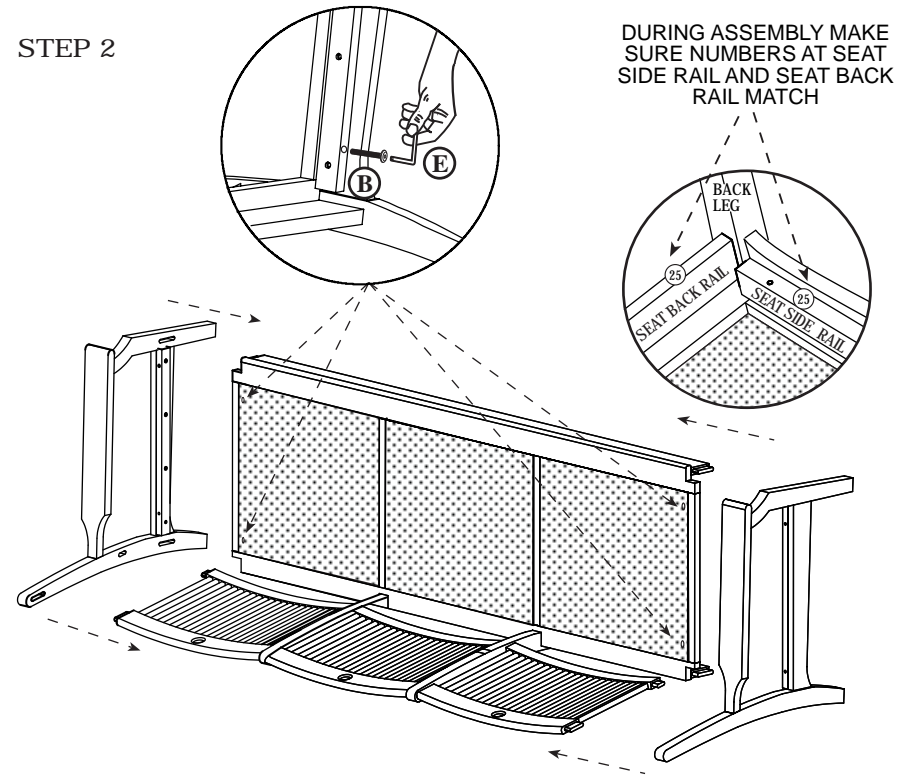


Hammer

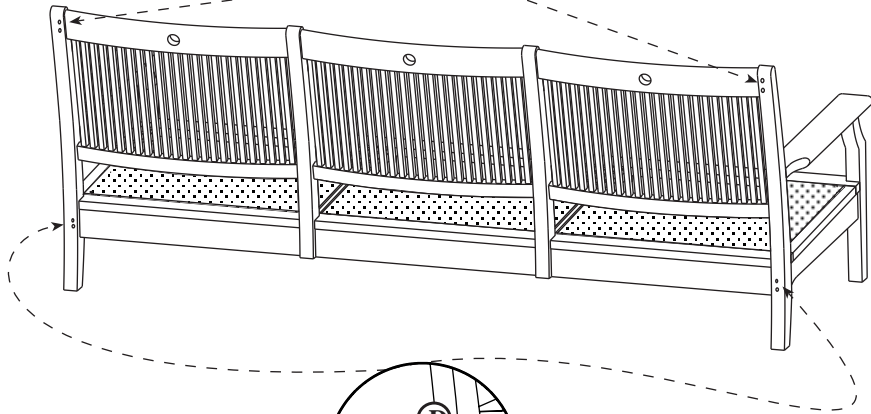
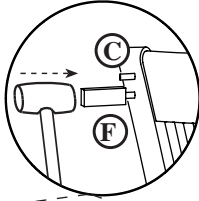
## STEP 1



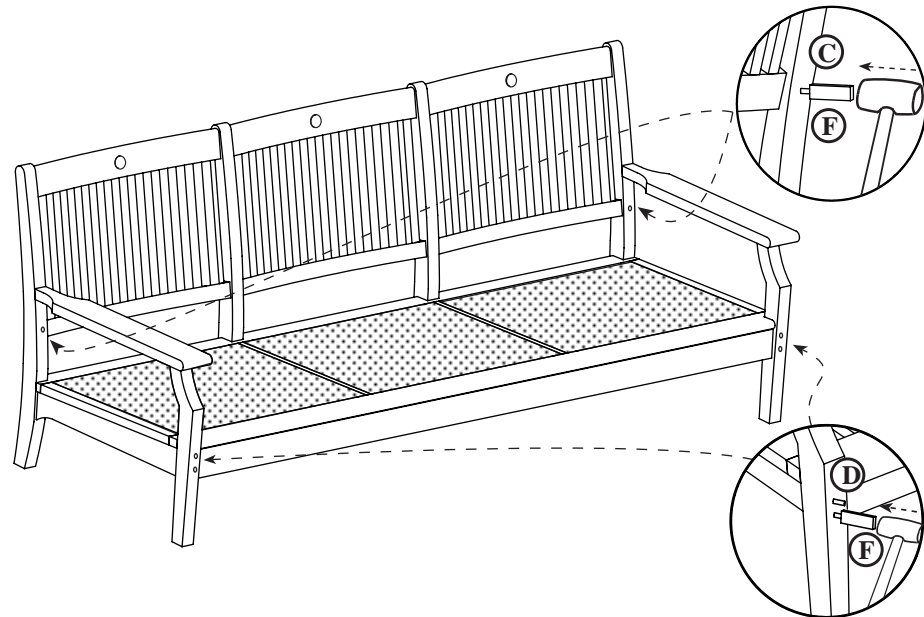
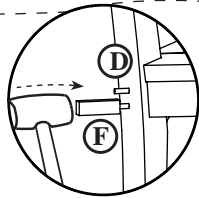
## STEP 2



STEP 3



STEP 4



OPAL SOFA (#6561)

63430

Assembly Instructions

