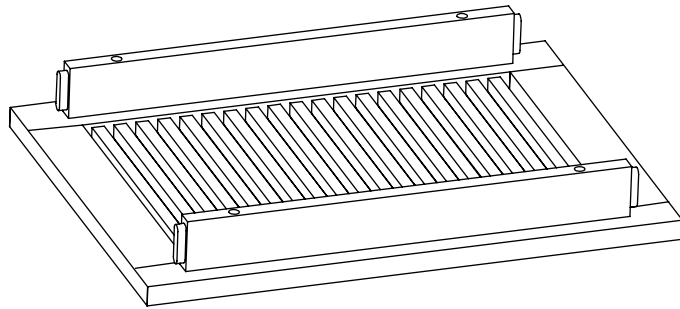
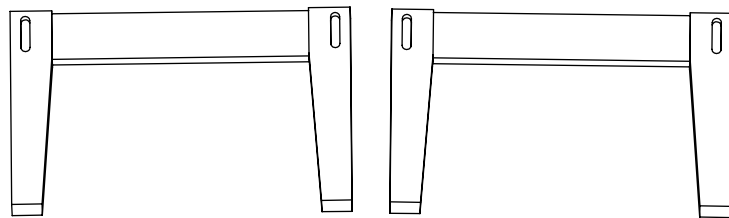


# COMPONENTS



101



102

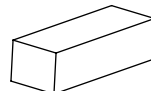
## HARDWARE

A



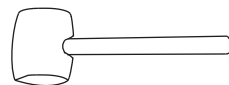
30 x 8mm  
8 pcs.

B



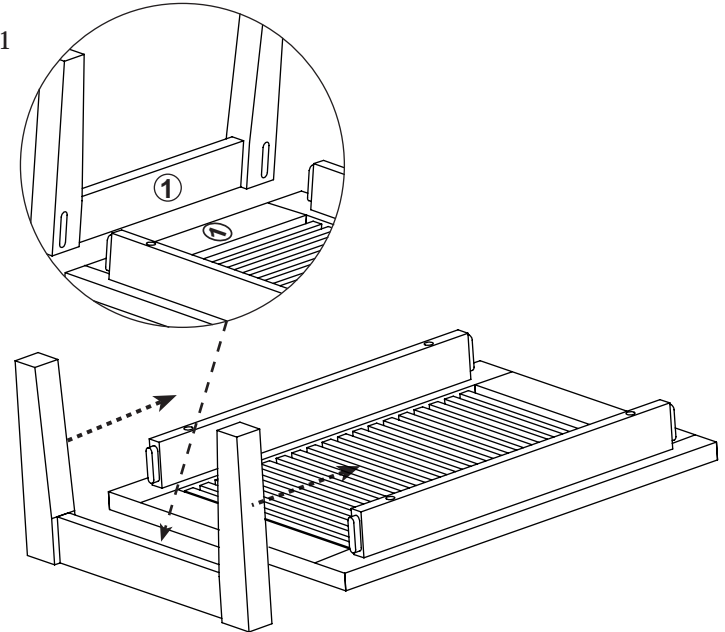
1 pc.

## TOOLS REQUIRED

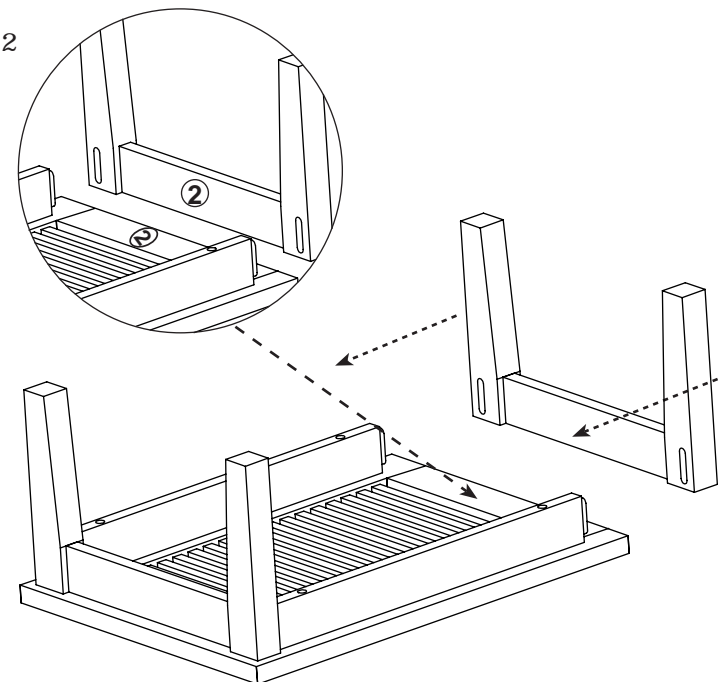


Hammer

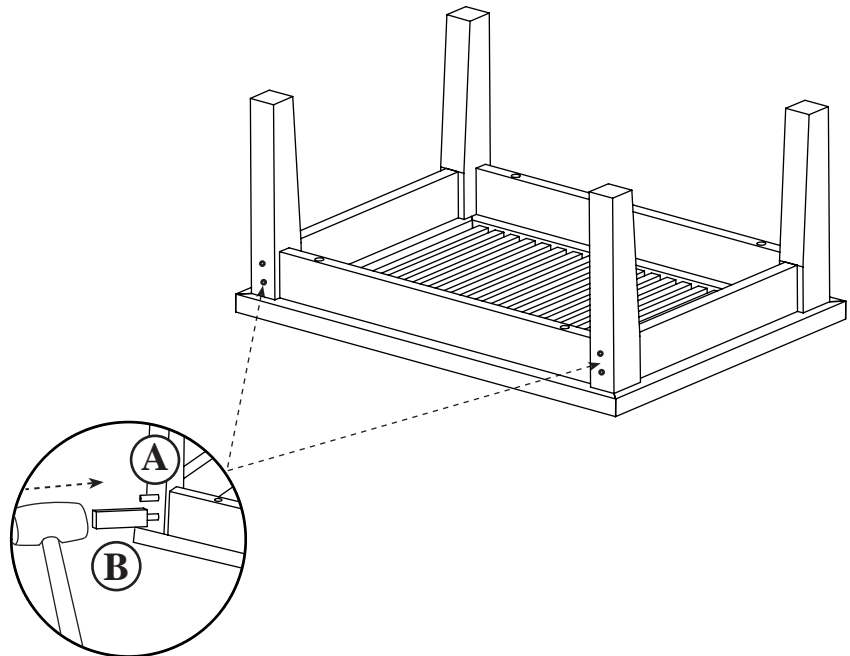
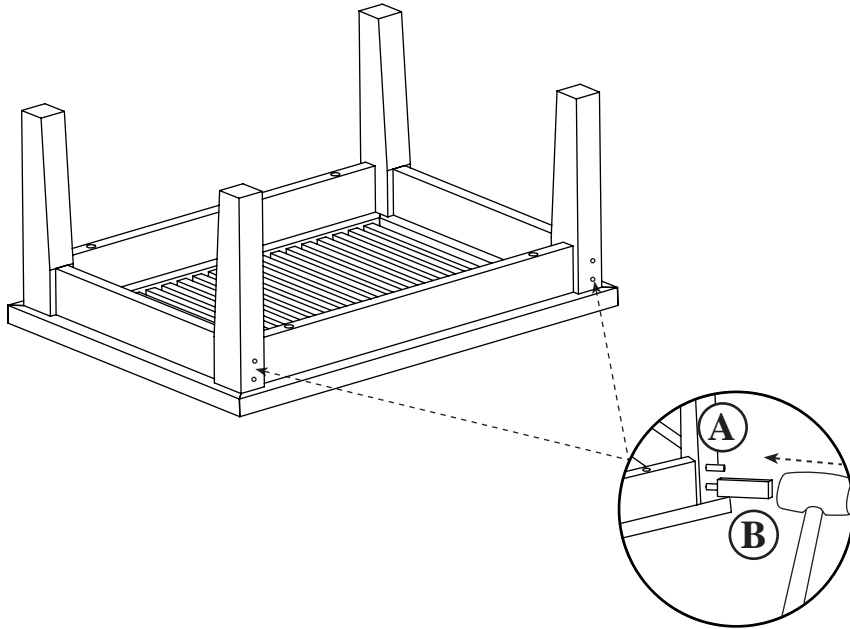
## STEP 1



## STEP 2



STEP 3



OPAL OTTOMAN(#6560)

# 63410

Assembly Instructions

