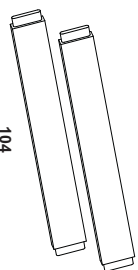
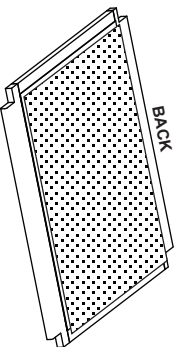
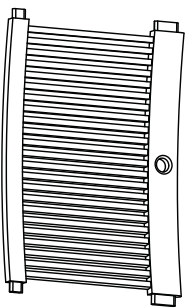
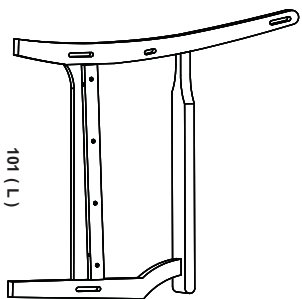
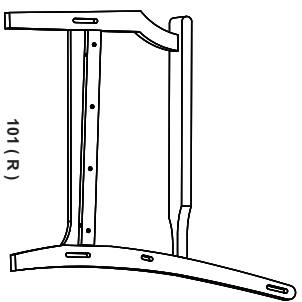
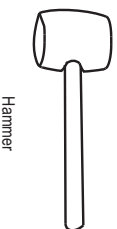
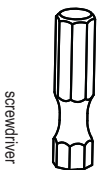


COMPONENTS

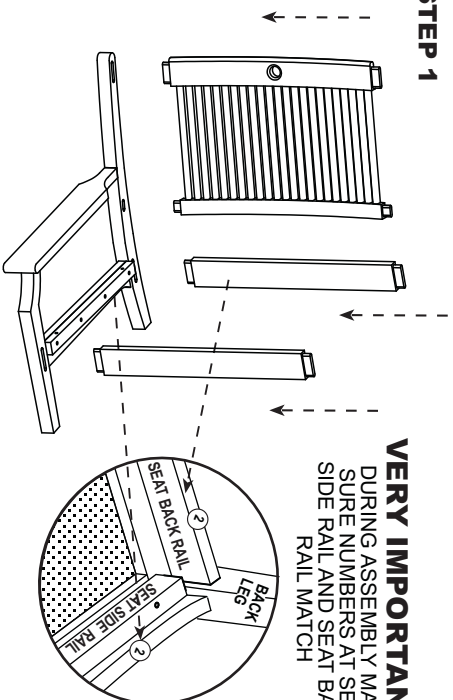


HARDWARE			
A		B	
C		D	
E		F	

TOOLS REQUIRED

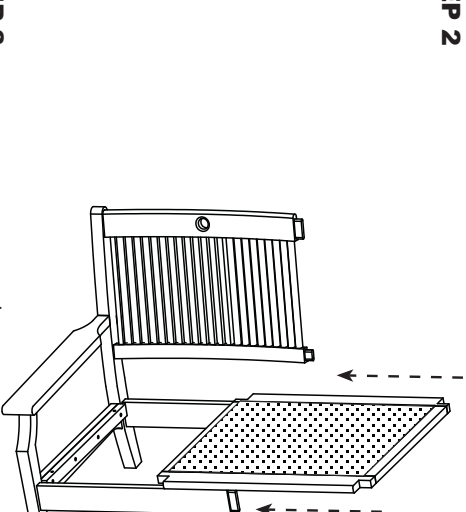


STEP 1



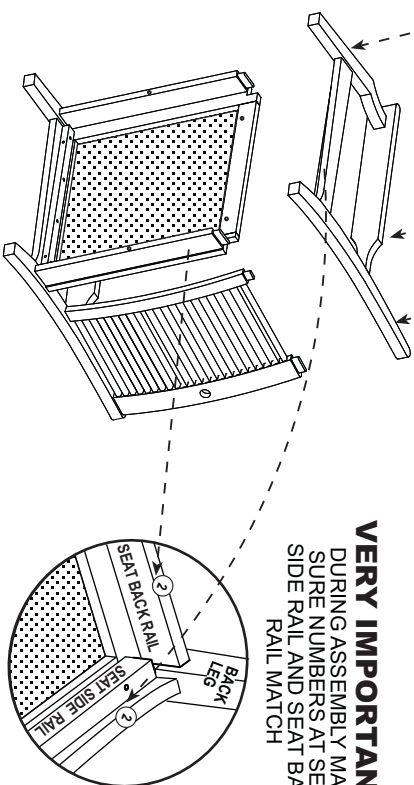
VERY IMPORTANT !!!
DURING ASSEMBLY MAKE SURE NUMBERS AT SEAT SIDE RAIL AND SEAT BACK RAIL MATCH

STEP 2



THE ROUNDED END WILL FACE THE CUSTOMER DURING ASSEMBLY

STEP 3

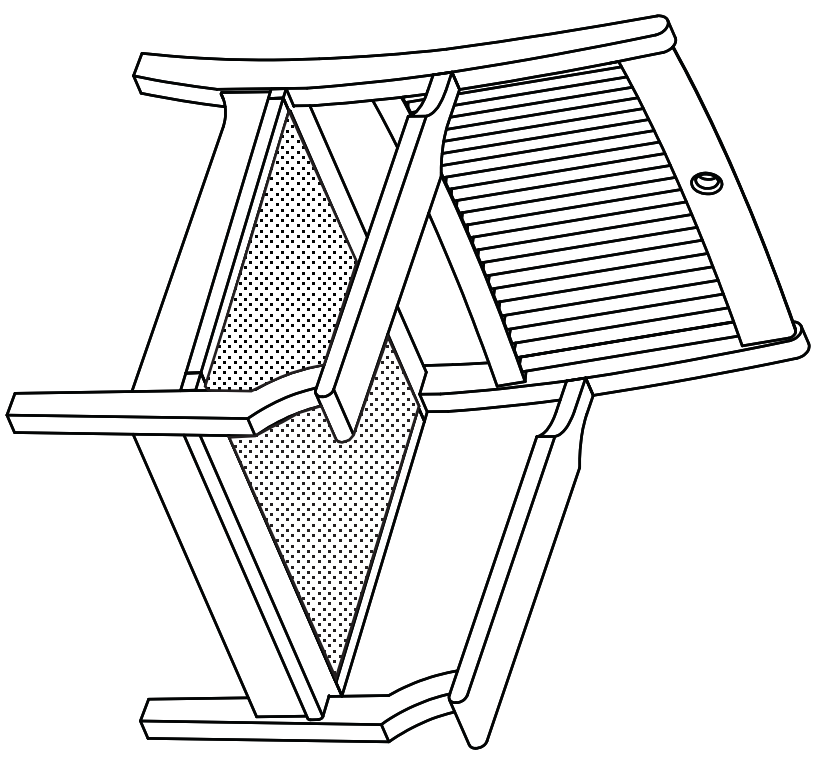


VERY IMPORTANT !!!
DURING ASSEMBLY MAKE SURE NUMBERS AT SEAT SIDE RAIL AND SEAT BACK RAIL MATCH

OPAL LOUNGE CHAIR(#6558)

63400

Assembly Instructions



STEP 4

VERY IMPORTANT !!!
THE FURNITURE MUST BE
PRE-ASSEMBLED ON THE FLOOR TO
INSERT THE ASSEMBLY DOWELS

