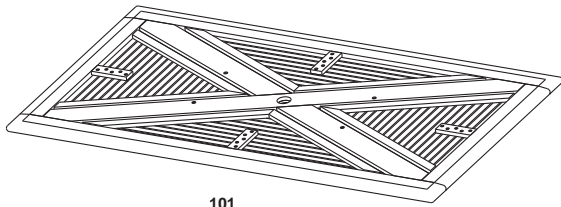


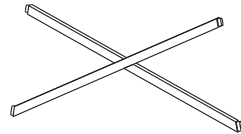
COMPONENTS



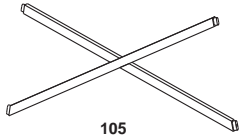
101



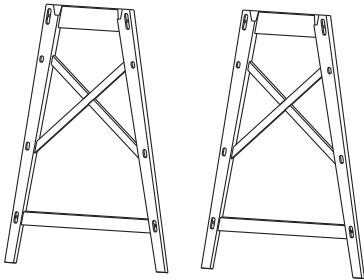
104



105



106










102

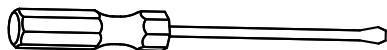


103

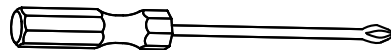
HARDWARE

| | | | |
|---|---|---|--|
| <p>A</p>  <p>M6 x 75 4 pcs.</p> | <p>B</p>  <p>M6 x 65 4 pcs.</p> | <p>C</p>  <p>M6 x 20 4 pcs.</p> | <p>D</p>  <p>4 x 40 4 pcs.</p> |
| <p>E</p>  <p>8 pcs.</p> | <p>F</p>  <p>1 pc.</p> | <p>G</p>  <p>1 pc.</p> | |

TOOLS REQUIRED

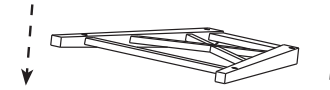
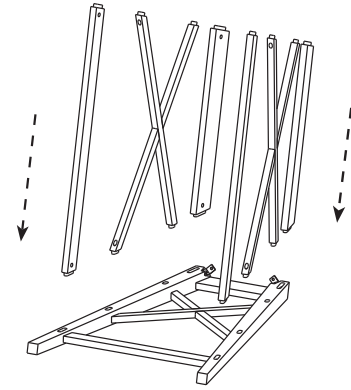


flat head screwdriver

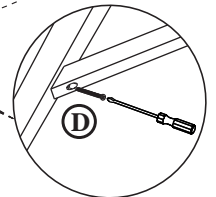
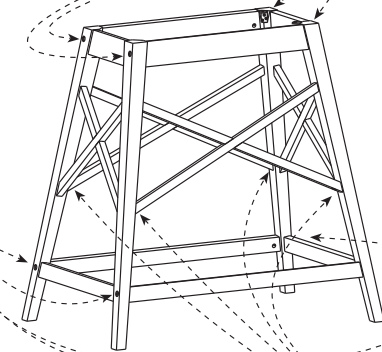
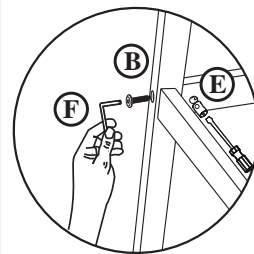
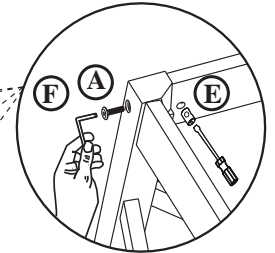
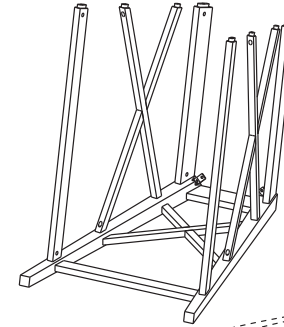


screwdriver

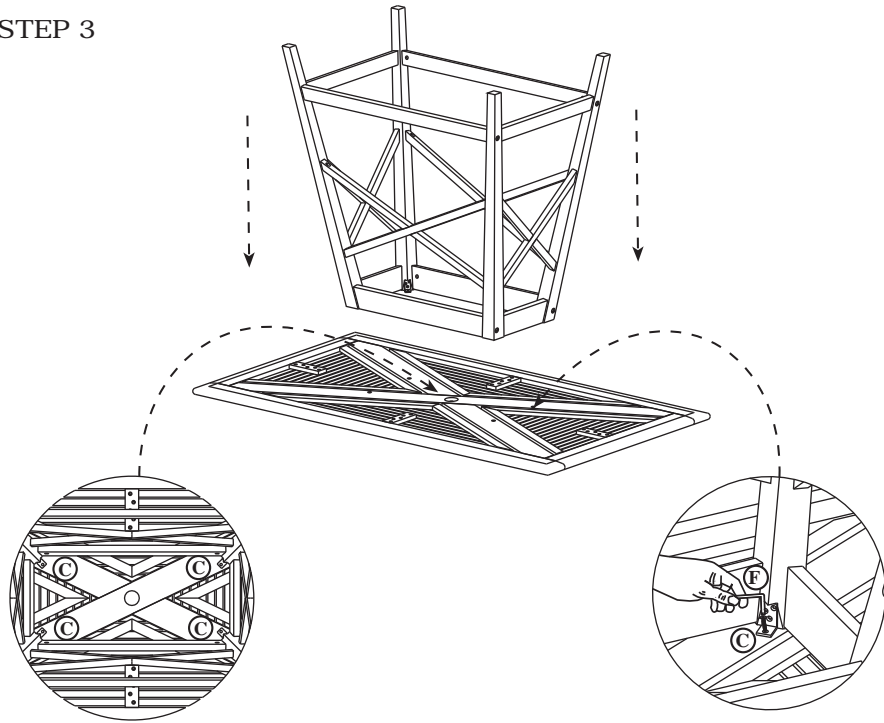
STEP 1



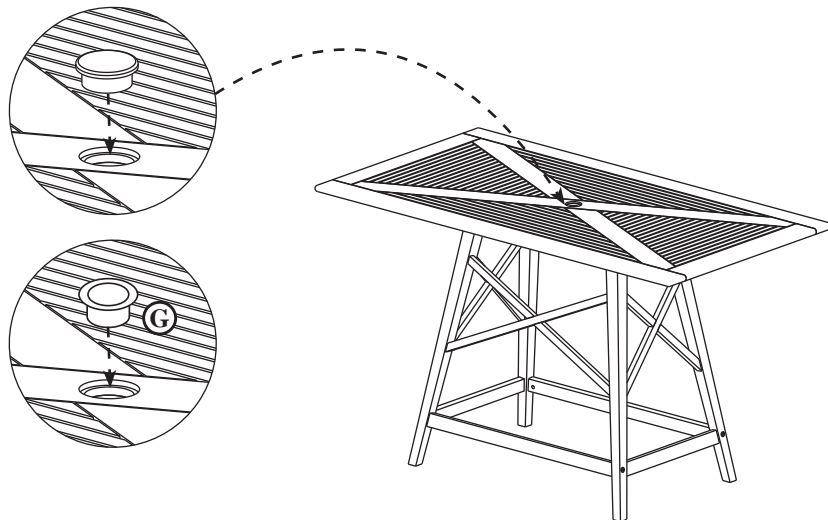
STEP 2



STEP 3



STEP 4



**OPAL COUNTER HEIGHT
TABLE 39" x 71" (#6440)**

63260

Assembly Instructions

